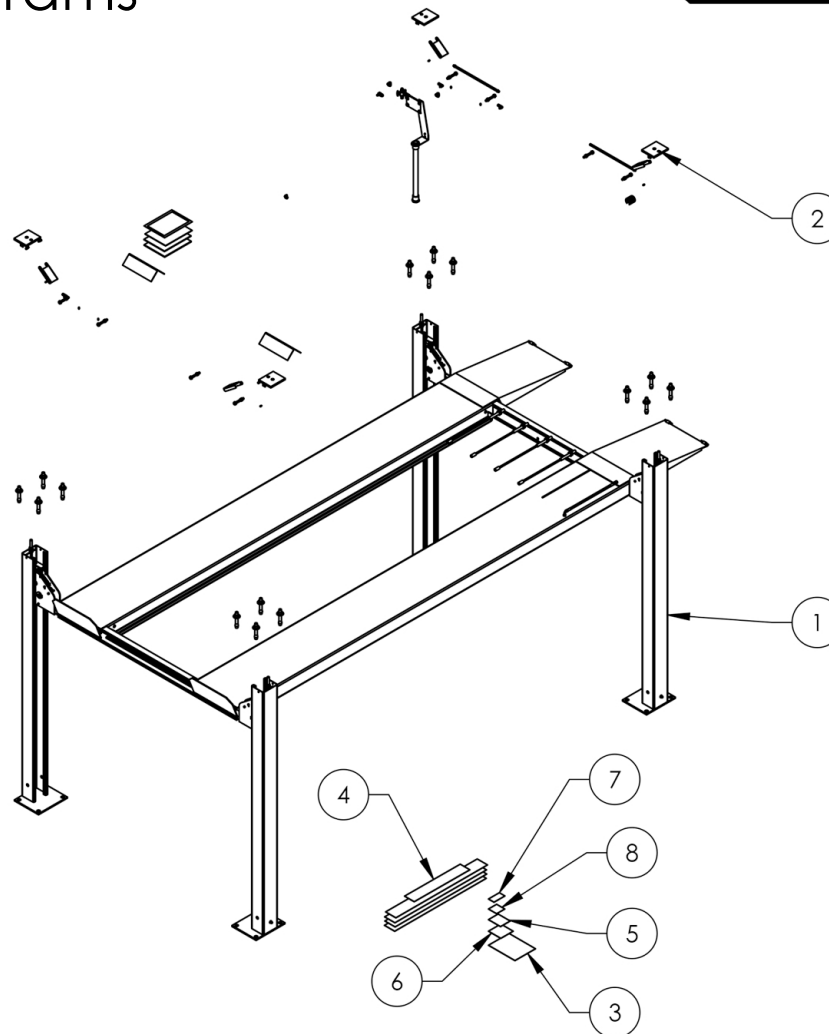


Service Manual

Service Parts & Diagrams

HD-9ST

BendPak SKU 5260526
HD-9ST Four-Post Car Lift
Version K
06/02/2016



This guide is a troubleshooting reference used for maintaining and servicing your BendPak product. It provides comprehensive information on identifying serviceable parts and components and assists in troubleshooting problems and performing assembly/disassembly procedures.



BendPak, Inc. Corporate Office

1645 Lemonwood Drive
Santa Paula, CA 93060 USA
Toll Free US/Canada: 1-800-253-2363
Fax: 1-805-933-9160
info@bendpak.com

Customer Service Desk / Warranty

Customer Service Representatives
Office Tel: 1-805-933-9970
Toll Free US/Canada: 1-800-253-2363
Fax: 1-805-933-9160
customerservice@bendpak.com

Parts Orders

Customer Service Representatives
Office Tel: 1-805-933-9970
Toll Free US/Canada: 1-800-253-2363
Fax: 1-805-933-9160
parts@bendpak.com

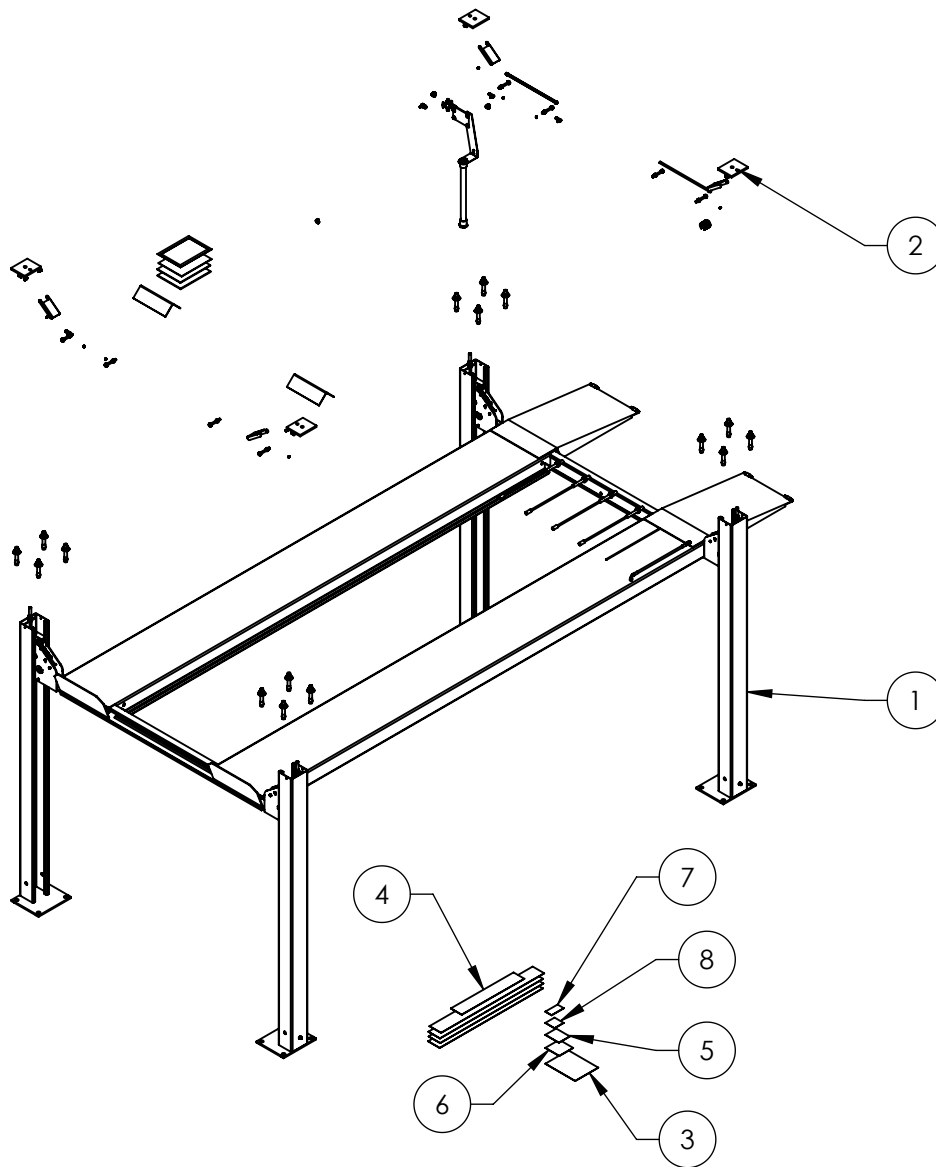
Domestic Sales & Service

USA Sales Representatives
Office Tel: 1-805-933-9970
Toll Free US/Canada: 1-800-253-2363
Fax: 1-805-933-9160
sales@bendpak.com

International Sales & Service

Office Tel: 1-805-933-9970
Exports Department: 1-805-933-9970 Ext. 192
Toll Free US/Canada: 1-800-253-2363
Fax: 1-805-933-9160
bpkexports@bendpak.com

		REVISION		
REV	DESCRIPTION	DATE	EDITED BY	ECO#
C	ADDED 5905103, 5905200, 5905402, 5905465, 5905940, AND 5930605, UPDATED BOM REVISIONS	08/13/2015	TM	00683
D	REMOVED 5930605, ADDED 5905952 UPDATED BOM REVISIONS	11/25/2015	JM	00740
E	REPLACED 5905952 WITH 5905953, UPDATED BOM REVISIONS	12/30/2015	JM	00741

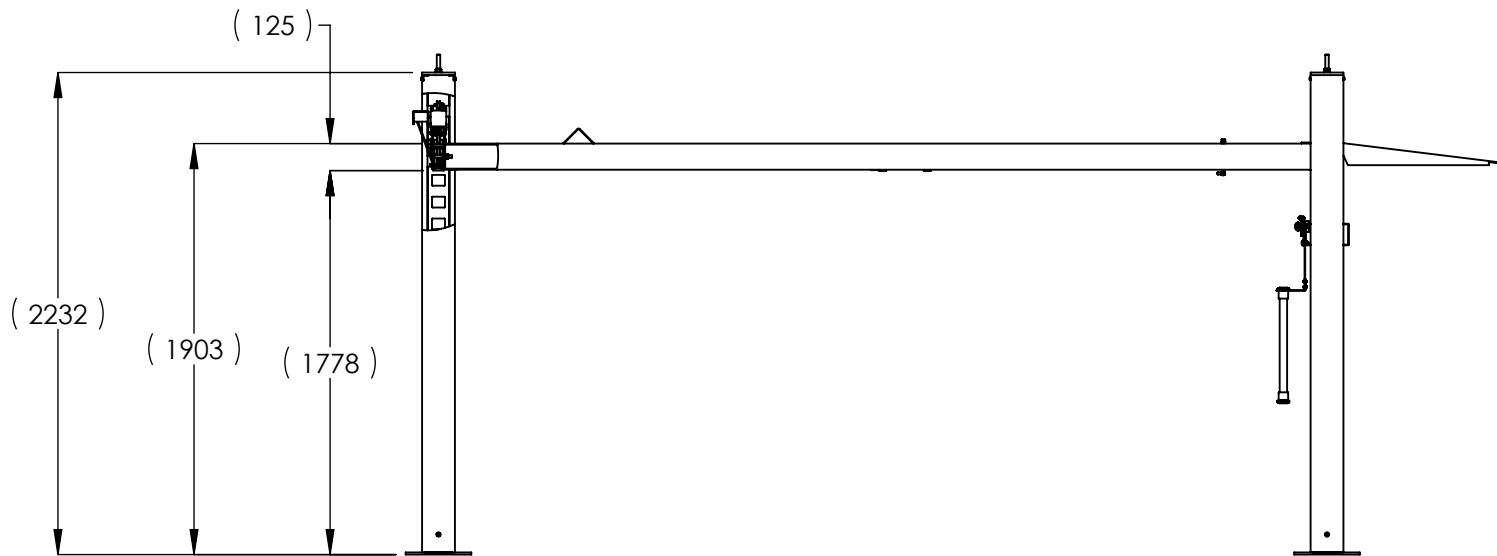
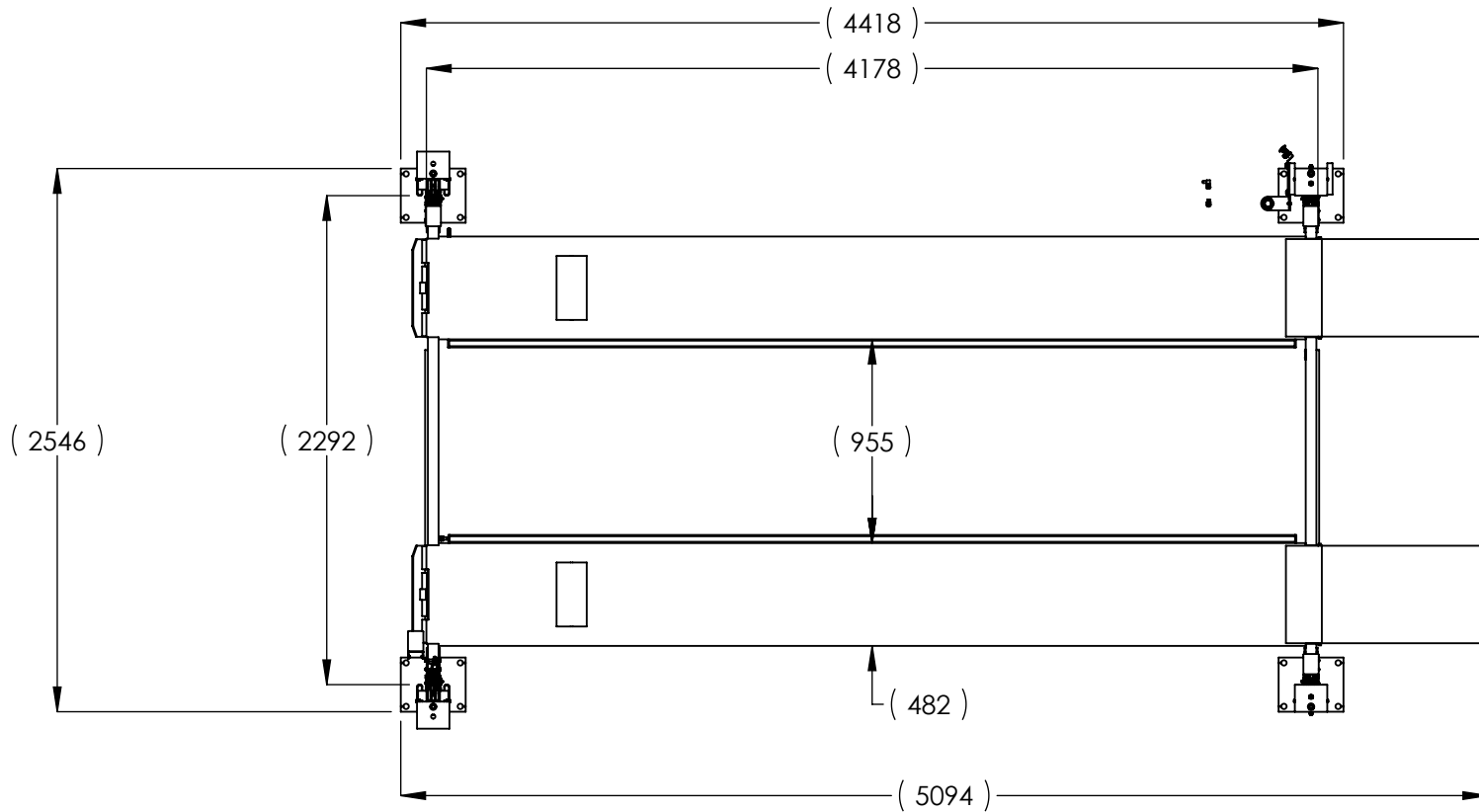



ITEM NO.	PART NUMBER	DESCRIPTION	QTY.	REV
1	5245395	HD-9ST LIFT SUPERSTRUCTURE	1	E
2	5250188	PARTS BOX HD-9ST	1	E
3	5905103	WARNING ALI/WL 200	1	--
4	5905200	4 POST DECAL KIT, LESS ALI	1	B
5	5905402	MAX CAP DANGER	1	--
6	5905465	MANUFACTURER LABEL	1	--
7	5905940	PRODUCT DATA LABEL	1	--
8	5905953	SERIAL NUMBER INTERIOR TAG PLATE	1	--

NOTE: UNLESS OTHERWISE SPECIFIED.

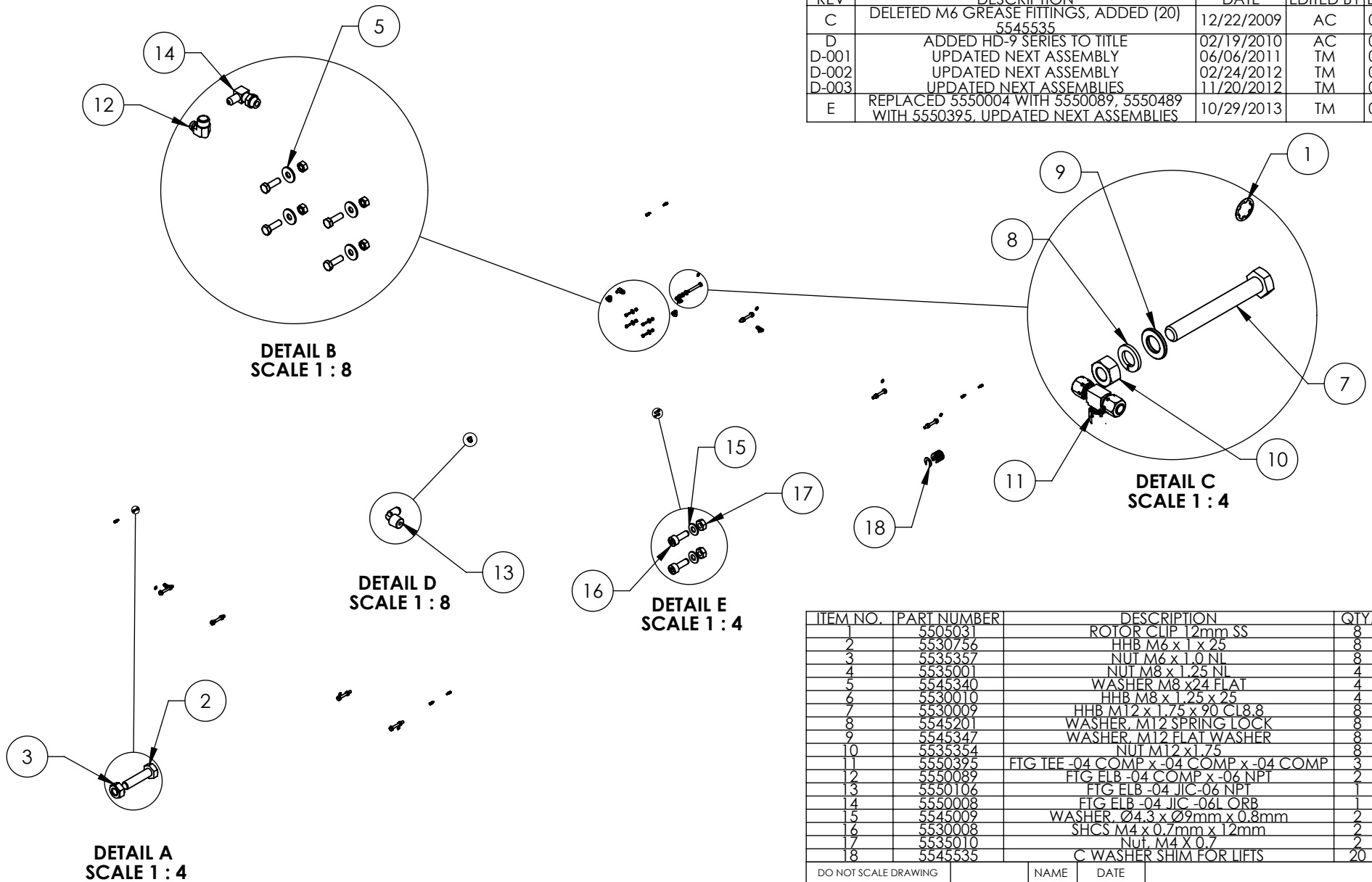
1. SEE SHIPPING INSTRUCTIONS FOR FINAL PACKAGING
2. ALL LABELS TO BE APPLIED TO POSTS AFTER PAINTING.
3. SEE ATTACHED LABEL PLACEMENT SHEET

DO NOT SCALE DRAWING		NAME	DATE	1645 LEMONWOOD DR. SANTA PAULA, CA 93060
		DRAWN	TM 08/12/2014	
		CHECKED	=	
DIMENSIONS ARE IN MM		THIRD ANGLE PROJECTION		TITLE: HD-9ST PRODUCTION LIFT VER K (CE CERT)
		<small>PROPRIETARY AND CONFIDENTIAL THE INFORMATION CONTAINED IN THIS DRAWING IS THE SOLE PROPERTY OF BENDPAK INC. ANY REPRODUCTION IN PART OR AS A WHOLE WITHOUT THE WRITTEN PERMISSION OF BENDPAK INC. IS PROHIBITED.</small>		SIZE DWG. NO. REV
				A 5260526 E
SCALE: 1:50			SHEET 1 OF 2	



 BendPak. 1645 LEMONWOOD DR. <small>PROVIDING LIFTWORK SOLUTIONS SINCE 1976</small> SANTA PAULA, CA 93060		
TITLE: HD-9ST PRODUCTION LIFT VER K (CE CERT)		
SIZE	DWG. NO.	REV
A	5260526	E
SCALE: 1:35		SHEET 2 OF 2

REV	DESCRIPTION	DATE	EDITED BY	ECO#
C	DELETED M6 GREASE FITTINGS, ADDED (20) 5545535	12/22/2009	AC	00326
D	ADDED HD-9 SERIES TO TITLE	02/19/2010	AC	00333
D-001	UPDATED NEXT ASSEMBLY	06/06/2011	TM	00464
D-002	UPDATED NEXT ASSEMBLY	02/24/2012	TM	00501
D-003	UPDATED NEXT ASSEMBLIES	11/20/2012	TM	00562
E	REPLACED 5550004 WITH 5550089, 5550489 WITH 5550395, UPDATED NEXT ASSEMBLIES	10/29/2013	TM	00593



ITEM NO.	PART NUMBER	DESCRIPTION	QTY.	REV
1	5505031	ROTOR CLIP 12mm SS	8	-
2	5530756	HHB M6 x 1 x 25	8	-
3	5535357	NUT M6 x 1.0 NL	8	-
4	5535001	NUT M8 x 1.25 NL	4	A
5	5545340	WASHER M8 x 24 FLAT	4	-
6	5530010	HHB M8 x 1.25 x 25	4	B
7	5530009	HHB M12 x 1.75 x 90 Cl8.8	8	-
8	5545201	WASHER M12 SPRING LOCK	8	-
9	5545347	WASHER M12 FLAT WASHER	8	-
10	5535354	NUT M12 x 1.75	8	-
11	5550395	FTG TEE -04 COMP x -04 COMP x -04 COMP	3	-
12	5550089	FTG FLB -04 COMP x -06 NPT	2	-
13	5550106	FTG FLB -04 JIC -06 NPT	1	-
14	5550008	FTG FLB -04 JIC -06L ORB	1	-
15	5545009	WASHER Ø4.3 x Ø9mm x 0.8mm	2	-
16	5530008	SHCS M4 x 0.7mm x 12mm	2	-
17	5535010	Nut M4 X 0.7	2	-
18	5545535	C WASHER SHIM FOR LIFTS	20	-

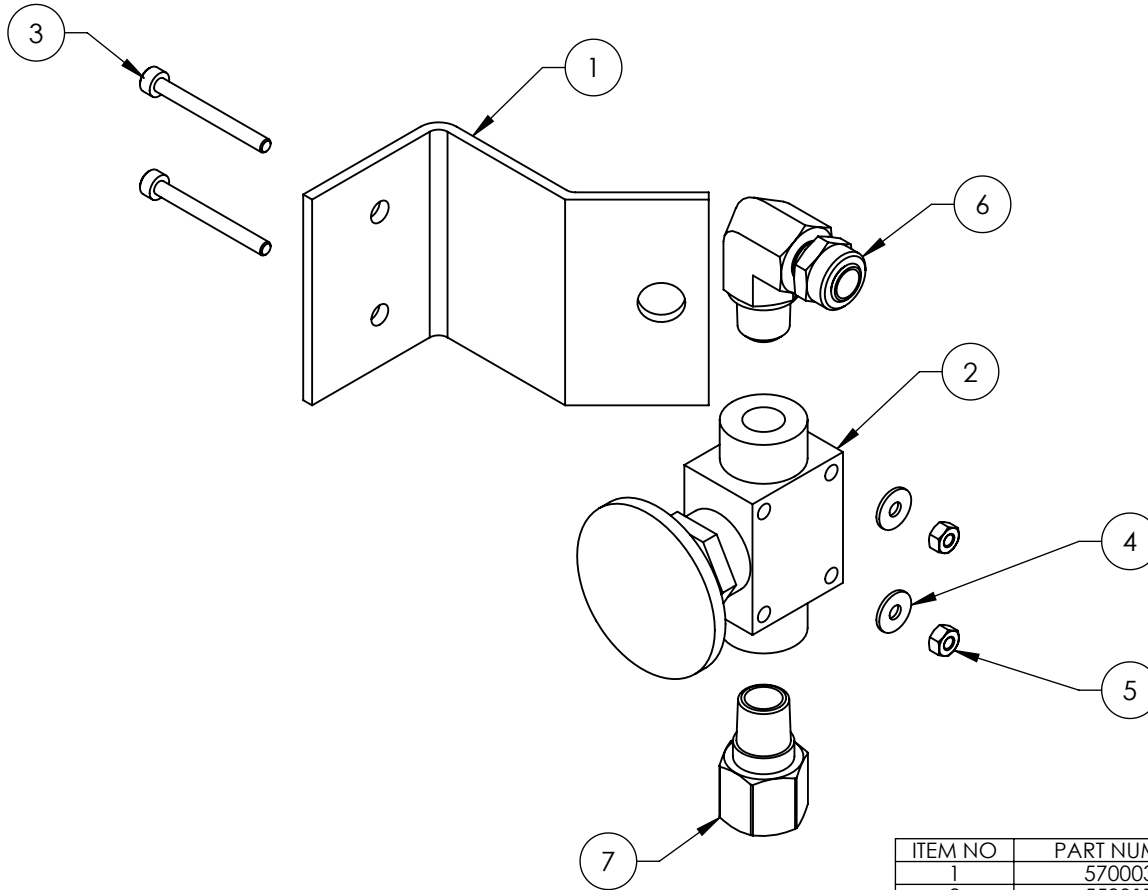
NEXT ASSEMBLY
5250164
5250167
5250168
5250169
5250184
5250185
5250187
5250188
5250189

DO NOT SCALE DRAWING	NAME	DATE	1645 LEMONWOOD DR. SANTA PAULA, CA 93060
DIMENSIONS ARE IN MM	DRAWN	AC 08/08/2008	
	CHECKED		TITLE:
	THIRD ANGLE PROJECTION		HD-7/9 SERIES PARTS BAG
MATERIAL: ---			SIZE DWG. NO.
SIZE: ---	PROPRIETARY AND CONFIDENTIAL THE INFORMATION CONTAINED IN THIS DRAWING IS THE SOLE PROPERTY OF BENDPAK INC. ANY REPRODUCTION IN PART OR AS A WHOLE WITHOUT THE WRITTEN PERMISSION OF BENDPAK INC. IS PROHIBITED.		REV
	SCALE: 1:30		E
	SHEET 1 OF 1		

NOTE: UNLESS OTHERWISE SPECIFIED.

1. SEE SHIPPING INSTRUCTIONS FOR FINAL PACKAGING

		REVISION		
REV	DESCRIPTION	DATE	EDITED BY	ECO#
D	UPDATED NEXT ASSEMBLY, ADDED 5550486	02/24/2010	AC	00333
D-001	UPDATED NEXT ASSEMBLY	01/21/2011	TM	00439
D-010	UPDATED NEXT ASSEMBLIES	07/24/2013	TM	00611
E	REPLACED 5550481 WITH 5550087	10/29/2013	TM	00593
F	REPLACED 5590240 WITH 5590175, UPDATED NEXT ASSEMBLIES	05/05/2015	MR	00683



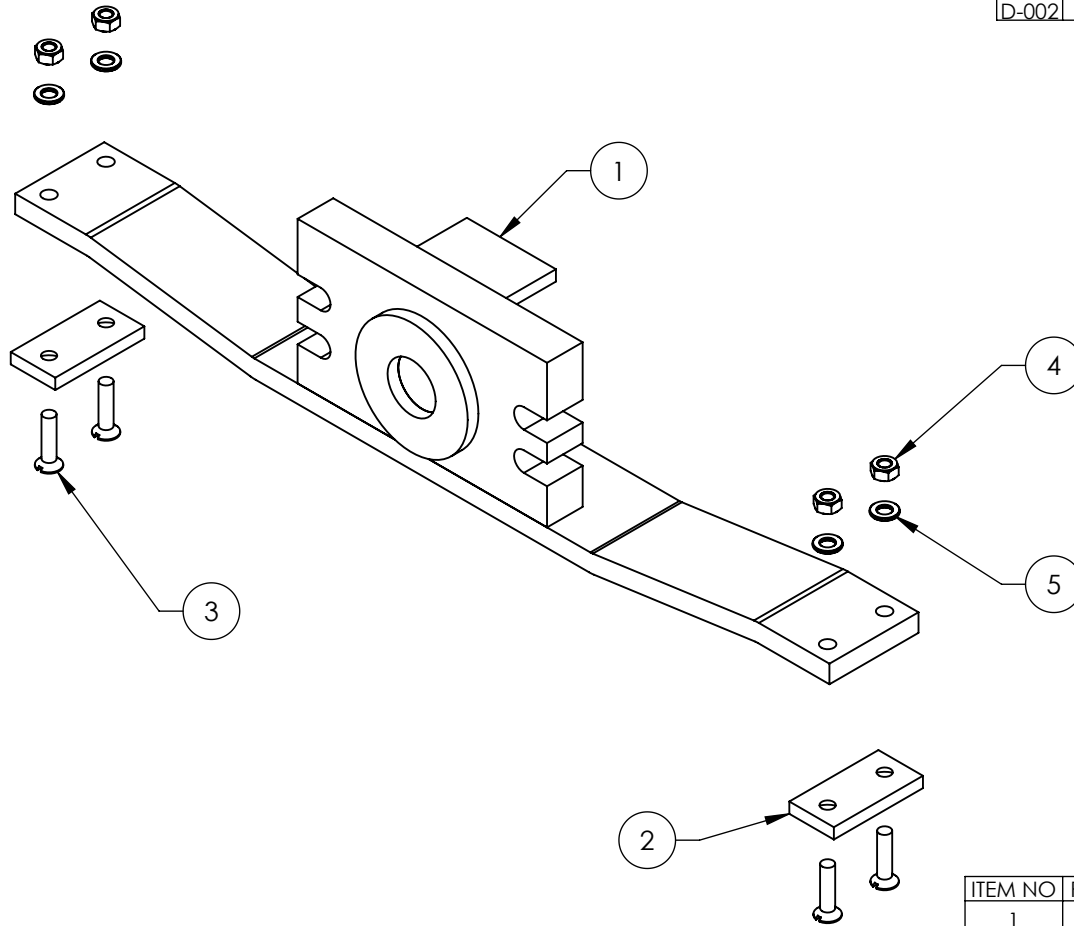
ITEM NO	PART NUMBER	DESCRIPTION	QTY	REV
1	5700031	ZERO ANGLE MTG BRACKET	1	C
2	5590175	PUSH BUTTON AIR VALVE	1	B
3	5530043	SHCS M3 x 0.5 x 30	2	-
4	5545024	WASHER M3 x 9mm	2	-
5	5535020	NUT M3 x 0.5 NL	2	-
6	5550087	FTG ELB -04 COMP x -02 NPT	1	-
7	5550486	FTG NPL -02 NPT x -04 F NPT	1	-

DO NOT SCALE DRAWING		NAME	DATE	1645 LEMONWOOD DR. SANTA PAULA, CA 93060
DIMENSIONS ARE IN MM 		DRAWN	AC 3/14/2008	
		CHECKED	CA 09/02/2015	
		THIRD ANGLE PROJECTION		TITLE:
				PUSH BUTTON AIR ASSEMBLY
		PROPRIETARY AND CONFIDENTIAL THE INFORMATION CONTAINED IN THIS DRAWING IS THE SOLE PROPERTY OF BENDPAK INC. ANY REPRODUCTION IN PART OR AS A WHOLE WITHOUT THE WRITTEN PERMISSION OF BENDPAK INC. IS PROHIBITED.		SIZE DWG. NO.
		A		5215096
				REV
				F
SCALE: 2:3			SHEET 1 OF 1	

NOTE: UNLESS OTHERWISE SPECIFIED.
 1. ASSEMBLE ITEMS AS SHOWN

NEXT ASSEMBLY
HD/HDS/HDSO
SERIES
5250118
5250249
5250364

REVISION				
REV	DESCRIPTION	DATE	EDITED BY	ECO#
B	UPDATED BOM REVISIONS, UPDATED NEXT ASSEMBLY	11/14/2008	AC	00174
C	UPDATED BOM REVISION	04/22/2010	TM	00351
D	UPDATED TITLE TO REFLECT WHERE USED, UPDATED BOM REVISIONS	06/10/2010	AC	00366
D-001	UPDATED NEXT ASSEMBLY	01/20/2011	TM	00439
D-002	UPDATED NEXT ASSEMBLY	06/06/2011	TM	00464



ITEM NO	PART NUMBER	DESCRIPTION	QTY	REV
1	5600901	HD-7500/9 SERIES CYLINDER FLANGE ARM WELDMENT	1	D
2	5715090	CYL. FLANGE ARM SLIDE	2	A
3	5530069	FHS M6 x 1.0 x 25	4	-
4	5535357	NUT M6 x 1.0 NL	4	-
5	5545005	M6 FLAT WASHER	4	-

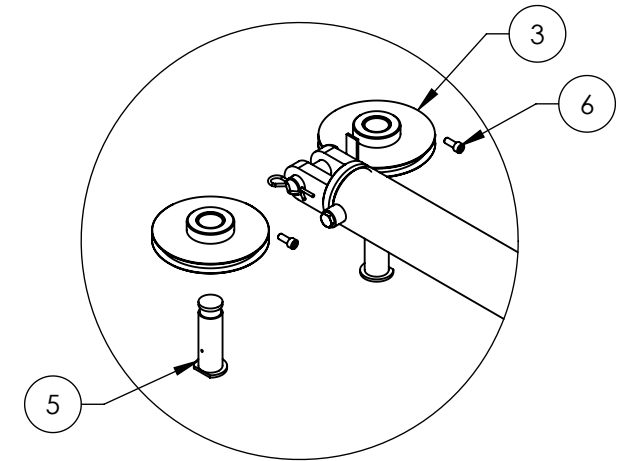
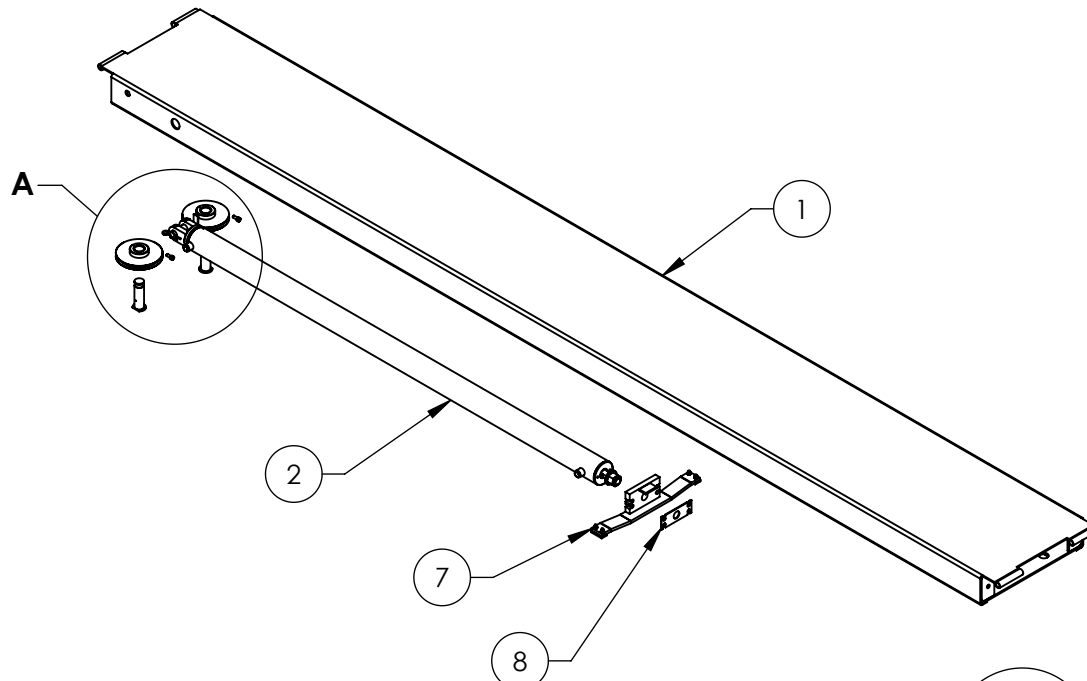
DO NOT SCALE DRAWING	NAME	DATE	1645 LEMONWOOD DR. SANTA PAULA, CA 93060
DIMENSIONS ARE IN MM	DRAWN AC	08/21/2008	
	CHECKED MT	07/06/2011	TITLE: HD-7500/9 CYLINDER FLANGE ARM ASSEMBLY
	THIRD ANGLE PROJECTION		
MATERIAL: ---	PROPRIETARY AND CONFIDENTIAL THE INFORMATION CONTAINED IN THIS DRAWING IS THE SOLE PROPERTY OF BENDPAK INC. ANY REPRODUCTION IN PART OR AS A WHOLE WITHOUT THE WRITTEN PERMISSION OF BENDPAK INC. IS PROHIBITED.		SIZE DWG. NO. REV A 5215129 D
SIZE: ---	SCALE: 1:3		SHEET 1 OF 1

NEXT ASSEMBLY
5215190
5215191
5215192
5215198
5215512
5215525

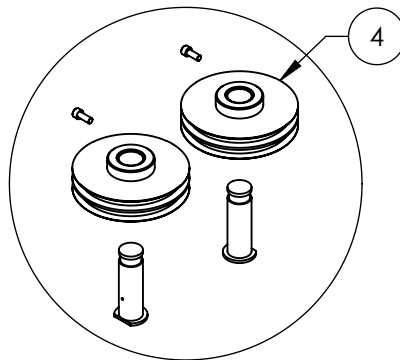
NOTE: UNLESS OTHERWISE SPECIFIED.

1. ASSEMBLE ITEMS AS SHOWN

REV	DESCRIPTION	REVISION	DATE	EDITED BY	ECO#
N	REMOVED 5505350, 5545031 AND 5535026		01/13/2015	MR	00675
P	UPDATED BOM REVISION		03/30/2015	MR	00683
R	REMOVED (4) 5550025		11/25/2015	JM	00740



DETAIL A
SCALE 1 : 10



DETAIL B
SCALE 1 : 10

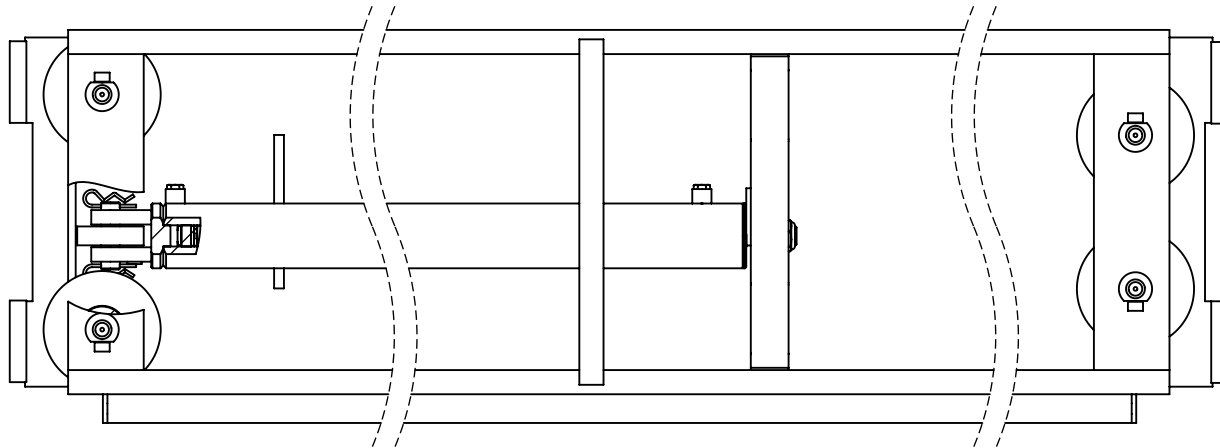
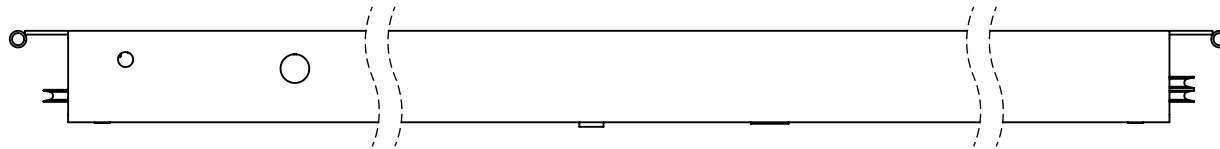
ITEM NO	PART NUMBER	DESCRIPTION	QTY	REV
1	5600200	HD-7500BL/9/9ST/9SW POWER SIDE RAMP WELDMENT	1	F
2	5502165	CYLINDER ASSEMBLY Ø3.0 x 70	1	G
3	5215122	HD-7/7500/9 SERIES SINGLE SHEAVE ROLLER ASSEMBLY	2	D
4	5215123	HD-7/7500/9 SERIES TWIN SHEAVE ASSEMBLY	2	D
5	5600900	HD-7/7500/9 SERIES RAMP SHEAVE SHAFT WELDMENT	4	D
6	5530773	SHCS M8x1.25x20mm L	4	-
7	5215129	HD-7500/9 CYLINDER FLANGE ARM ASSEMBLY	1	D
8	5731309	CABLE RETAINER PLATE	1	A


DO NOT SCALE DRAWING	NAME	DATE	1645 LEMONWOOD DR. SANTA PAULA, CA 93060
	DRAWN	AC 11/13/2008	
	CHECKED	-	
DIMENSIONS ARE IN MM 	THIRD ANGLE PROJECTION		TITLE: HD-7500BL/9/9ST/9SW POWER SIDE RAMP ASSEMBLY
			SIZE DWG. NO. REV
	PROPRIETARY AND CONFIDENTIAL THE INFORMATION CONTAINED IN THIS DRAWING IS THE SOLE PROPERTY OF BENDPAK INC. ANY REPRODUCTION IN PART OR AS A WHOLE WITHOUT THE WRITTEN PERMISSION OF BENDPAK INC. IS PROHIBITED.		A 5215190 R
SCALE: 1:25			SHEET 1 OF 2

NOTE: UNLESS OTHERWISE SPECIFIED.

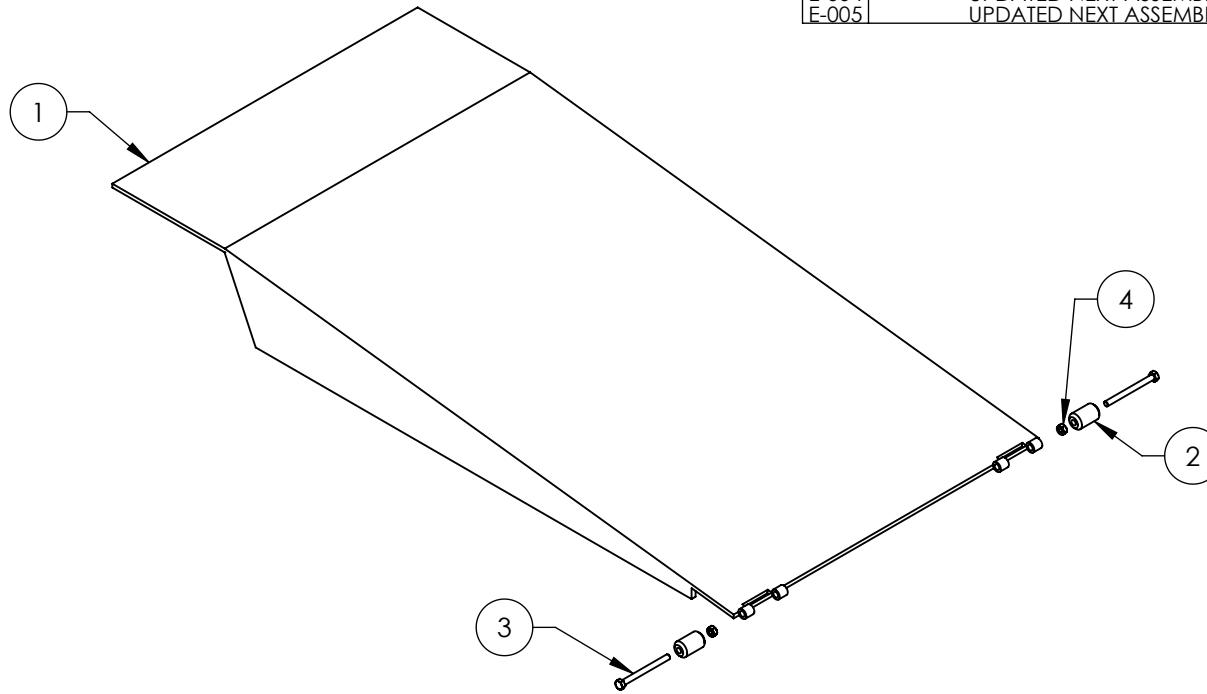
- SEE SHIPPING INSTRUCTIONS FOR FINAL PACKAGING
- ASSEMBLE ITEMS AS SHOWN

NEXT ASSEMBLY
5245383
5245390
5245395
5245396



 BendPak. <small>POWER & STORAGE SERVICE SOLUTIONS</small>		1645 LEMONWOOD DR. SANTA PAULA, CA 93060
TITLE: HD-7500BL/9/9ST/9SW POWER SIDE RAMP ASSEMBLY		
SIZE	DWG. NO.	REV
A	5215190	R
SCALE: 1:10		SHEET 2 OF 2

		REVISION		
REV	DESCRIPTION	DATE	EDITED BY	ECO#
C	UPDATED TITLE TO REFLECT WHERE USED UPDATED NEXT ASSEMBLY	02/25/2010	AC	00333
D	UPDATED TITLE TO REFLECT WHERE USED UPDATED BOM REVISIONS REPLACED 5535112 WITH 5535357	06/10/2010	AC	00366
D-001	UPDATED NEXT ASSEMBLY	06/06/2011	TM	00464
D-002	UPDATED NEXT ASSEMBLY	10/27/2011	TM	00487
E	UPDATED BOM REVISION	08/22/2012	TM	00541
E-001	UPDATED NEXT ASSEMBLY	11/19/2012	TM	00562
E-002	UPDATED NEXT ASSEMBLY	05/20/2013	TM	00593
E-003	UPDATED NEXT ASSEMBLY	11/20/2013	TM	00626
E-004	UPDATED NEXT ASSEMBLY	06/10/2014	TM	00648
E-005	UPDATED NEXT ASSEMBLY	08/14/2014	TM	00664



ITEM NO	PART NUMBER	DESCRIPTION	QTY	REV
1	5600891	HD-7500BL/7500BLX/ 9/9N/9NX/9ST/9STX/9XW DRIVE UP RAMP WELDMENT	1	D
2	5716149	HD-7500/9, HD/S-14 SERIES DRIVE UP RAMP PLASTIC ROLLER	2	F
3	5530005	HHB M6 x 1 x 70	2	-
4	5535357	NUT M6 x 1.0 NL	2	-

NEXT ASSEMBLY
5245275
5245381
5245382
5245383
5245384
5245385
5245386
5245388
5245391
5245392
5245393
5245395
5245396

DO NOT SCALE DRAWING

DIMENSIONS ARE IN MM

THIRD ANGLE PROJECTION

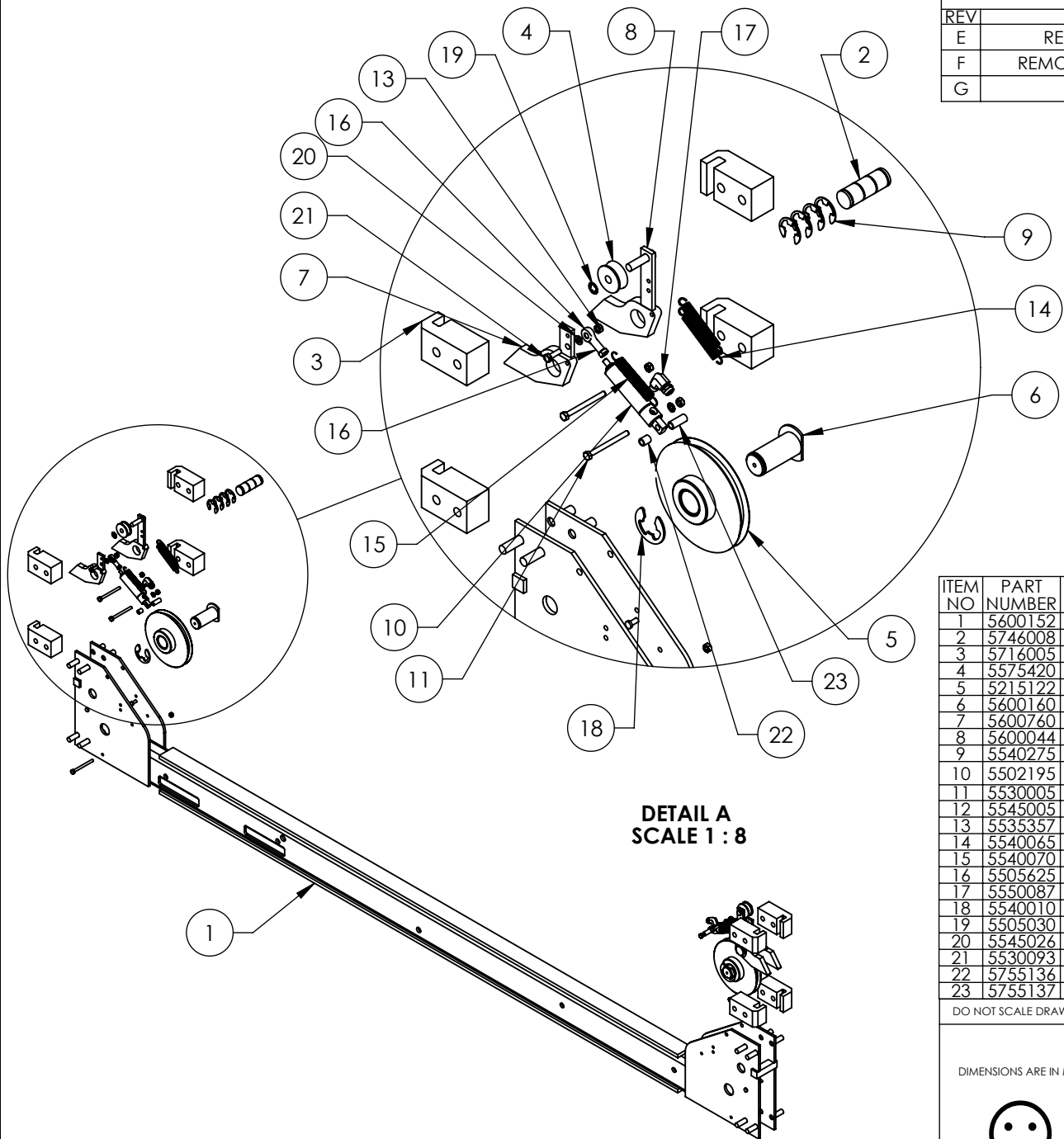
PROPRIETARY AND CONFIDENTIAL
THE INFORMATION CONTAINED IN THIS DRAWING IS THE SOLE PROPERTY OF BENDPAK INC. ANY REPRODUCTION IN PART OR AS A WHOLE WITHOUT THE WRITTEN PERMISSION OF BENDPAK INC. IS PROHIBITED.

NAME	DATE	1645 LEMONWOOD DR. SANTA PAULA, CA 93060
DRAWN	11/13/2008	
CHECKED		TITLE: HD-7500BL/BLX, 9/ST/STX/XW DRIVE UP RAMP ASSEMBLY
SIZE DWG. NO. A 5215193		REV F
SCALE: 1:8		SHEET 1 OF 1

NOTE: UNLESS OTHERWISE SPECIFIED.

- SEE SHIPPING INSTRUCTIONS FOR FINAL PACKAGING
- ASSEMBLE ITEMS AS SHOWN

REV	DESCRIPTION	REVISION	DATE	EDITED BY	ECO#
E	REPLACED 5545026 WITH 5545005		3/19/2015	MR	00683
F	REMOVED (2) 5550025 AND (2) 5716630		11/25/2015	JM	00740
G	UPDATED BOM REVISIONS		12/30/2015	JM	00741



DETAIL A
SCALE 1 : 8

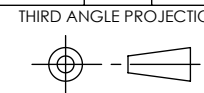
ITEM NO	PART NUMBER	DESCRIPTION	QTY	REV
1	5600152	HD-9ST/9STX SMALL WINDOW CROSSTUBE WELDMENT	1	N
2	5746008	HD/HDS-7/7500/9/14, HDSO-14 SAFETY PIN	2	E
3	5716005	HD-7/7500/9/14/HDSO-14 PLASTIC SLIDE BLOCK	8	J
4	5575420	HD-7/7500/9 SERIES SAFETY ROLLER	2	C
5	5215122	HD-7/7500/9 SERIES SINGLE SHEAVE ROLLER ASSEMBLY	2	D
6	5600160	HD-7/7500/9 SERIES CROSSTUBE SHEAVE SHAFT WELDMENT	2	E
7	5600760	HD/HDS LIGHT DUTY SERIES SAFETY WELDMENT	2	B
8	5600044	HD/HDS LIGHT DUTY SERIES SLACK SAFETY WELDMENT	2	F
9	5540275	E RING Ø25mm OD DIN 6799 0250	8	-
10	5502195	AIR CYLINDER, Ø19mm x 25 STROKE	2	-
11	5530005	HHB M6 x 1 x 70	6	-
12	5545005	M6 FLAT WASHER	2	-
13	5535357	NUT M6 x 1.0 NL	8	-
14	5540065	SPRING Ø13mm x 90mm, SLACK SAFETY	4	A
15	5540070	SPRING Ø13mm x 89mm, AIR CYLINDER	2	B
16	5505625	FEMALE ROD END M6 x 33mm	2	-
17	5550087	FTG ELB -04 COMP x -02 NPT	2	-
18	5540010	E RING Ø32mm OD DIN 6799	2	-
19	5505030	ROTOR CLIP 10mm SS	2	-
20	5545026	WASHER M6 x Ø12 SL	2	A
21	5530093	HHB M6 x 1 x 20	2	-
22	5755136	HD AIR CYLINDER SPACER 12mm	2	B
23	5755137	HD AIR CYLINDER SPACER 25mm	2	B

DO NOT SCALE DRAWING

NAME	DATE
DRAWN TM	04/29/2013
CHECKED CA	09/01/2015

BendPak 1645 LEMONWOOD DR.
SANTA PAULA, CA 93060

DIMENSIONS ARE IN MM



PROPRIETARY AND CONFIDENTIAL
THE INFORMATION CONTAINED IN THIS DRAWING IS THE SOLE PROPERTY OF BENDPAK INC. ANY REPRODUCTION IN PART OR AS A WHOLE WITHOUT THE WRITTEN PERMISSION OF BENDPAK INC. IS PROHIBITED.

TITLE:
HD-9ST/STX CROSSTUBE
ASSEMBLY, SMALL WINDOW

SIZE DWG. NO. REV
A 5215601 G

SCALE: 1:16

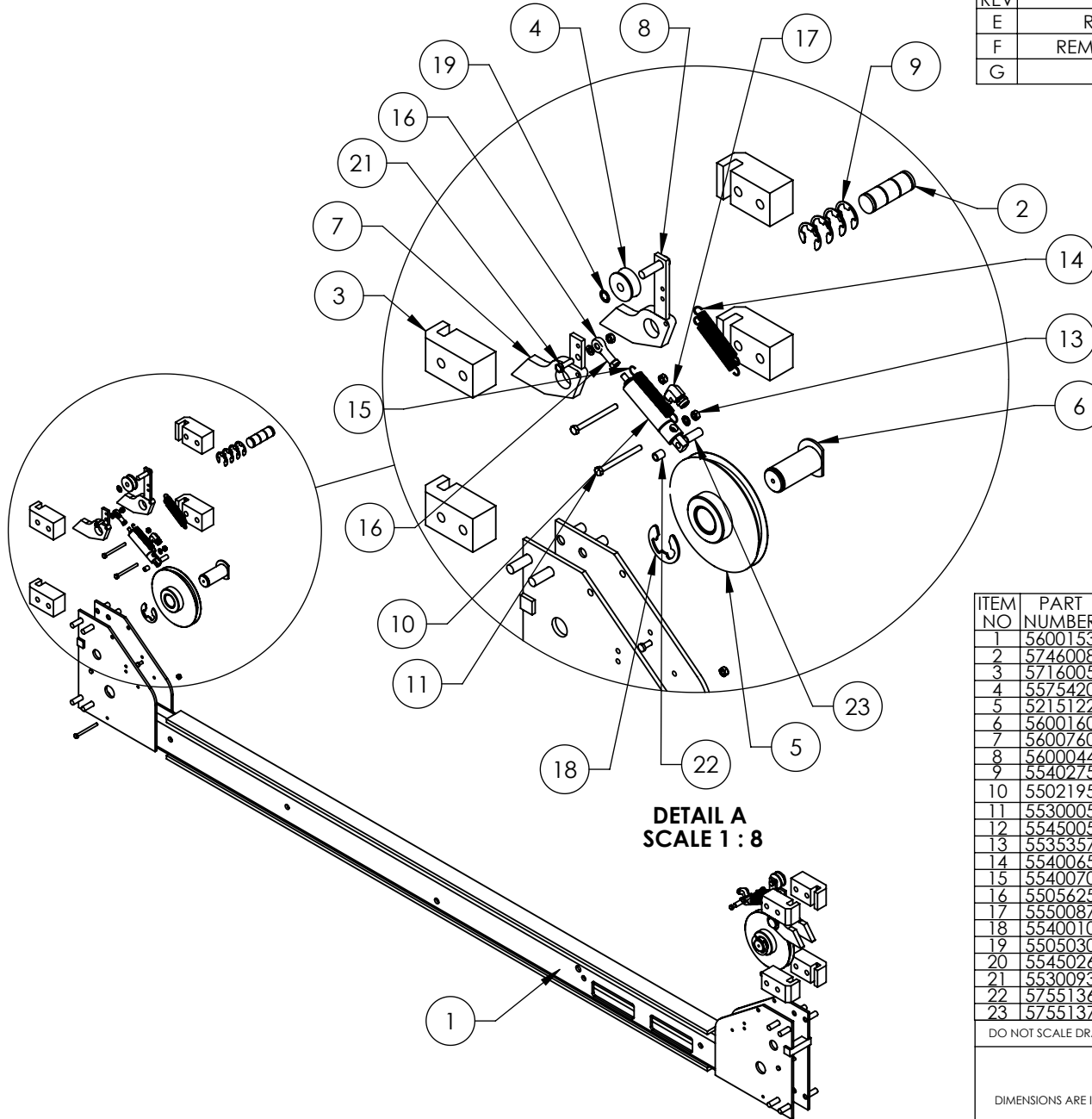
SHEET 1 OF 1

NOTE: UNLESS OTHERWISE SPECIFIED.

- SEE SHIPPING INSTRUCTIONS FOR FINAL PACKAGING
- ASSEMBLE ITEMS AS SHOWN

NEXT ASSEMBLY
5245392
5245395

REVISION				
REV	DESCRIPTION	DATE	EDITED BY	ECO#
E	REPLACED 5545026 WITH 5545005	03/20/2015	MR	00683
F	REMOVED (2) 5550025 AND (2) 5716630	11/25/2015	JM	00740
G	UPDATED BOM REVISIONS	12/30/2015	JM	00741



ITEM NO	PART NUMBER	DESCRIPTION	QTY	REV
1	5600153	HD-9ST/9STX LARGE WINDOW CROSSTUBE WELDMENT	1	N
2	5746008	HD/HDS-7/7500/9/14, HDSO-14 SAFETY PIN	2	E
3	5716005	HD-7/7500/9/14/HDSO-14 PLASTIC SLIDE BLOCK	8	J
4	5575420	HD-7/7500/9 SERIES SAFETY ROLLER	2	C
5	5215122	HD-7/7500/9 SERIES SINGLE SHEAVE ROLLER ASSEMBLY	2	D
6	5600160	HD-7/7500/9 SERIES CROSSTUBE SHEAVE SHAFT WELDMENT	2	F
7	5600760	HD/HDS LIGHT DUTY SERIES SAFETY WELDMENT	2	B
8	5600044	HD/HDS LIGHT DUTY SERIES SLACK SAFETY WELDMENT	2	F
9	5540275	E RING Ø25mm OD DIN 6799 0250	8	-
10	5502195	AIR CYLINDER, Ø19mm x 25 STROKE	2	-
11	5530005	HHB M6 x 1 x 70	6	-
12	5545005	M6 FLAT WASHER	2	-
13	5535357	NUT M6 x 1.0 NL	8	-
14	5540065	SPRING Ø13mm x 90mm, SLACK SAFETY	4	A
15	5540070	SPRING Ø13mm x 89mm, AIR CYLINDER	2	B
16	5505625	FEMALE ROD END M6 x 33mm	2	-
17	5550087	FTG ELB -04 COMP x -02 NPT	2	-
18	5540010	E RING Ø32mm OD DIN 6799	2	-
19	5505030	ROTOR CLIP 10mm SS	2	-
20	5545026	WASHER M6 x Ø12 SL	2	A
21	5530093	HHB M6 x 1 x 20	2	-
22	5755136	HD AIR CYLINDER SPACER 12mm	2	B
23	5755137	HD AIR CYLINDER SPACER 25mm	2	B

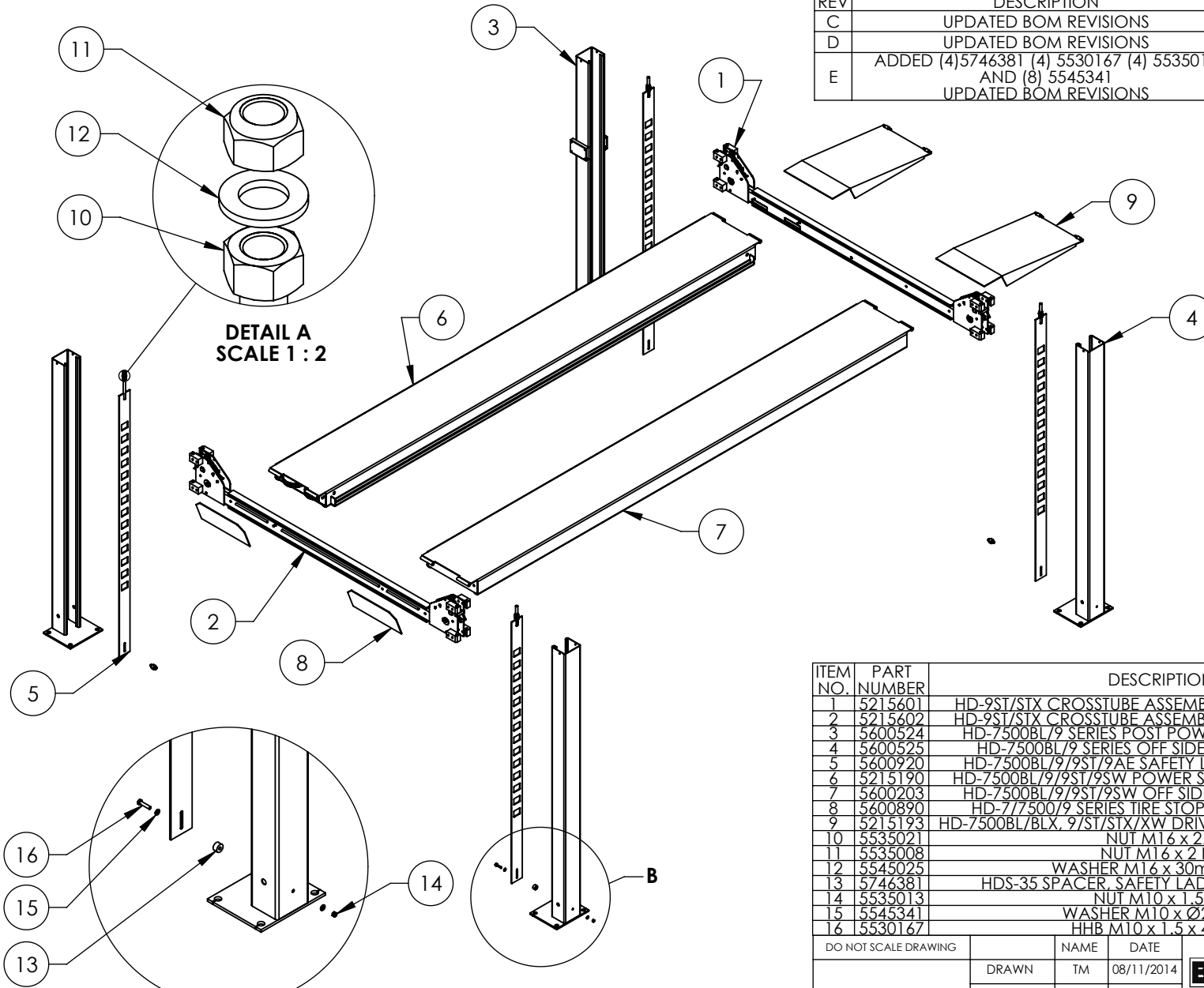
DETAIL A
SCALE 1 : 8

DO NOT SCALE DRAWING	NAME	DATE	1645 LEMONWOOD DR. SANTA PAULA, CA 93060
DIMENSIONS ARE IN MM	DRAWN	TM 04/29/2013	
	CHECKED	CA 09/01/2015	
	THIRD ANGLE PROJECTION		TITLE: HD-9ST/STX CROSSTUBE ASSEMBLY, LARGE WINDOW
			SCALE: 1:16
PROPRIETARY AND CONFIDENTIAL THE INFORMATION CONTAINED IN THIS DRAWING IS THE SOLE PROPERTY OF BENDPAK INC. ANY REPRODUCTION IN PART OR AS A WHOLE WITHOUT THE WRITTEN PERMISSION OF BENDPAK INC. IS PROHIBITED.			SIZE DWG. NO. REV A 5215602 G
NEXT ASSEMBLY 5245392 5245395			SHEET 1 OF 1

NOTE: UNLESS OTHERWISE SPECIFIED.

- SEE SHIPPING INSTRUCTIONS FOR FINAL PACKAGING
- ASSEMBLE ITEMS AS SHOWN

REVISION				
REV	DESCRIPTION	DATE	EDITED BY	ECO#
C	UPDATED BOM REVISIONS	03/19/2015	MR	00683
D	UPDATED BOM REVISIONS	11/25/2015	JM	00740
E	ADDED (4) 5746381 (4) 5530167 (4) 5535013 AND (8) 5545341 UPDATED BOM REVISIONS	12/30/2015	JM	00741



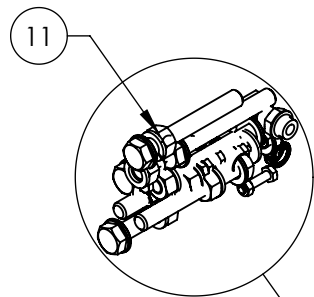
ITEM NO.	PART NUMBER	DESCRIPTION	QTY.	REV
1	5215601	HD-9ST/STX CROSSTUBE ASSEMBLY, SMALL WINDOW	1	G
2	5215602	HD-9ST/STX CROSSTUBE ASSEMBLY, LARGE WINDOW	1	G
3	5600524	HD-7500BL/9 SERIES POST POWER SIDE WELDMENT	1	B
4	5600525	HD-7500BL/9 SERIES OFF SIDE POST WELDMENT	3	B
5	5600920	HD-7500BL/9/9ST/9AE SAFETY LADDER WELDMENT	4	B
6	5215190	HD-7500BL/9/9ST/9SW POWER SIDE RAMP ASSEMBLY	1	R
7	5600203	HD-7500BL/9/9ST/9SW OFF SIDE RAMP WELDMENT	1	F
8	5600890	HD-7/7500/9 SERIES TIRE STOP PLATE WELDMENT	2	F
9	5215193	HD-7500BL/BLX, 9/ST/STX/XW DRIVE UP RAMP ASSEMBLY	2	F
10	5535021	NUT M16 x 2.0	4	-
11	5535008	NUT M16 x 2 NL	4	-
12	5545025	WASHER M16 x 30mm FLAT	4	-
13	5746381	HDS-35 SPACER, SAFETY LADDER, 17.5mm LG	4	A
14	5535013	NUT M10 x 1.5 NL	4	-
15	5545341	WASHER M10 x Ø20 FLAT	8	-
16	5530167	HHB M10 x 1.5 x 45mm	4	-

DO NOT SCALE DRAWING	NAME	DATE	1645 LEMONWOOD DR. SANTA PAULA, CA 93060
DIMENSIONS ARE IN MM	DRAWN	TM 08/11/2014	
	CHECKED	CA 08/31/2015	
	THIRD ANGLE PROJECTION		TITLE: HD-9ST LIFT SUPERSTRUCTURE
			SIZE DWG. NO. A 5245395
PROPRIETARY AND CONFIDENTIAL THE INFORMATION CONTAINED IN THIS DRAWING IS THE SOLE PROPERTY OF BENDPAK INC. ANY REPRODUCTION IN PART OR AS A WHOLE WITHOUT THE WRITTEN PERMISSION OF BENDPAK INC. IS PROHIBITED.			REV E
NEXT ASSEMBLY 5260526			SCALE: 1:40 SHEET 1 OF 1

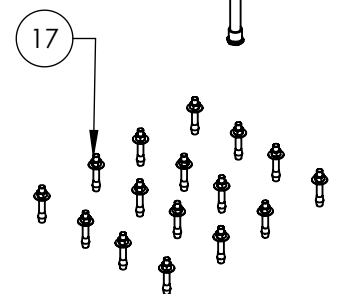
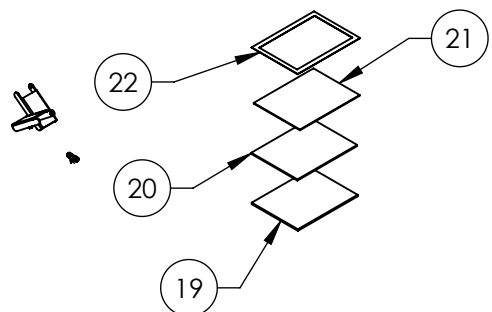
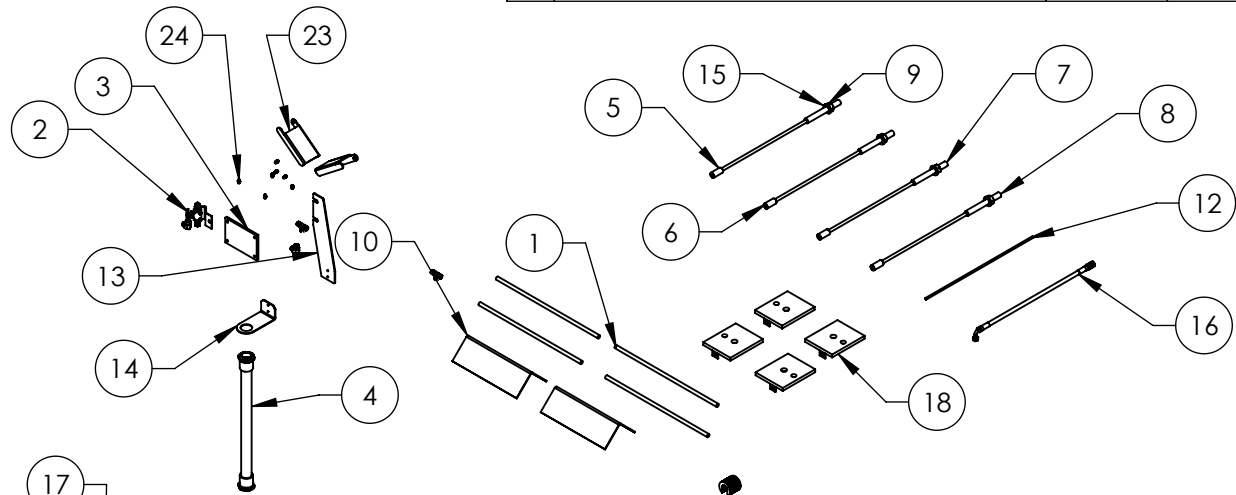
NOTE: UNLESS OTHERWISE SPECIFIED.

- SEE SHIPPING INSTRUCTIONS FOR FINAL PACKAGING
- THREAD M16 HARDWARE ONTO LADDER BOLTS AS SHOWN

REVISION				
REV	DESCRIPTION	DATE	EDITED BY	ECO#
C	UPDATED BOM REVISION	01/08/2015	MR	00675
D	REMOVED 5905103, 5905200, 5905402, 5905465, 5905940, AND 5930605, UPDATED BOM REVISION	08/13/2015	TM	00683
E	REMOVED 5900151 ADDED (4) 5716630 AND (8) 555025	11/25/2015	JM	00740



DETAIL A
SCALE 1 : 5



ITEM NO.	PART NUMBER	DESCRIPTION	QTY.	REV
1	5745014	HD-7/7500/9 SERIES DRIVE UP RAMP PIN	4	B
2	5215096	PUSH BUTTON AIR ASSEMBLY	1	F
3	5715003	POWER UNIT VIBRATION DAMPENER	1	B
4	5570052	FLEX TUBE ASSEMBLY 1170mm	1	B
5	5595900	HD-9ST CABLE ASSEMBLY Ø10 x 2926mm ST	1	F
6	5595905	HD-9ST CABLE ASSEMBLY Ø10 x 4356mm ST	1	F
7	5595910	HD-9ST CABLE ASSEMBLY Ø10 x 7048mm ST	1	F
8	5595915	HD-9ST CABLE ASSEMBLY Ø10 x 8476mm ST	1	F
9	5535358	NUT M18 x 2.5 NL	4	-
10	5700072	WHEEL CHOCK	2	A
11	5174092	HD-7/9 SERIES PARTS BAG	1	E
12	5570795	1/4" POLY-FLO TUBING	17000*mm	-
13	5700029	HD-SERIES FLEX TUBE BRACKET PLATE	1	F
14	5700033	HD-SERIES FLEX TUBE ANGLE	1	F
15	5545342	WASHER M18 FLAT	4	-
16	5570022	HD-14/14SS/14X HD-9/9A/9N/9/PL/9ST/9AE HYDRAULIC HOSE ASSEMBLY Ø6.4 x 3380mm AB 3/4" x 4 - 3/4"	1	G
17	5530456	AB 3/4" x 4 - 3/4"	16	-
18	5600405	HD-7P/7500/9 SERIES TOP PLATE WELDMENT	4	C
19	5900123	HD-9 INSTALLATION MANUAL	1	A
20	5900147	SAFETY MANUAL ALL / SM 93-1	1	-
21	5900152	ALIGN OIM OPERATION INSPECTION & MAINTENANCE	1	-
22	5905151	SAFETY TIPS CARD ALLST 90	1	-
23	5716630	HD-9 SERIES CROSSTUBE COVER, PLASTIC	4	A
24	5550025	FTG GRS M6x1	8	-

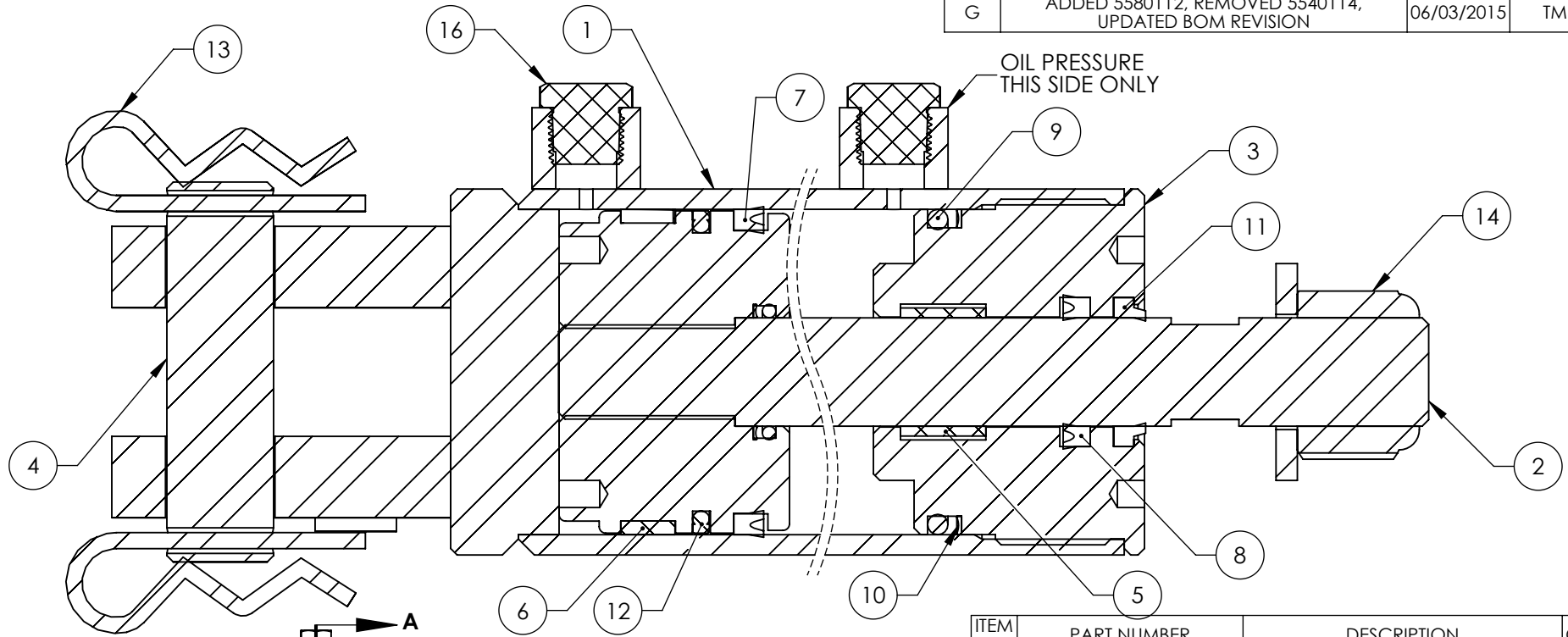
NOTE: UNLESS OTHERWISE SPECIFIED.

- SEE SHIPPING INSTRUCTIONS FOR FINAL PACKAGING
- INSERT PARTS BAG INTO PARTS BOX FOR SHIPMENT
- THREAD 5535358 WITH 5545342 ONTO CABLES FOR SHIPMENT
- HOSES AND CABLES IN REPRESENTATIONAL FORM
- (*) LENGTH FOR REFERENCE ONLY

NEXT ASSEMBLY
5260526

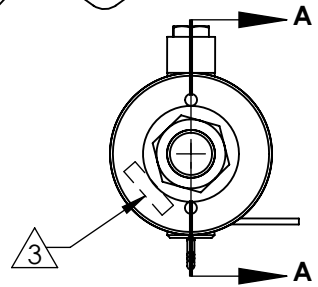
DO NOT SCALE DRAWING	NAME	DATE	1645 LEMONWOOD DR. SANTA PAULA, CA 93060
	DRAWN	TM 05/09/2013	
	CHECKED	-	
DIMENSIONS ARE IN MM	THIRD ANGLE PROJECTION		TITLE:
			PARTS BOX HD-9ST
	PROPRIETARY AND CONFIDENTIAL		SIZE DWG. NO.
	THE INFORMATION CONTAINED IN THIS DRAWING IS THE SOLE PROPERTY OF BENDPAK INC. ANY REPRODUCTION IN PART OR AS A WHOLE WITHOUT THE WRITTEN PERMISSION OF BENDPAK INC. IS PROHIBITED.		A 5250188
			REV
			E
		SCALE: 1:25	SHEET 1 OF 1

REVISION				
REV	DESCRIPTION	DATE	EDITED BY	ECO#
E	UPDATED BOM REVISION	07/09/2012	TM	00534
F	ADDED 5505350, 5545031 AND 5535363	01/13/2015	MR	00675
G	ADDED 5580112, REMOVED 5540114, UPDATED BOM REVISION	06/03/2015	TM	00683



OIL PRESSURE
THIS SIDE ONLY

SECTION A-A
SCALE 1 : 1.5



ISOMETRIC VIEW
FOR REFERENCE ONLY
DO NOT SCALE

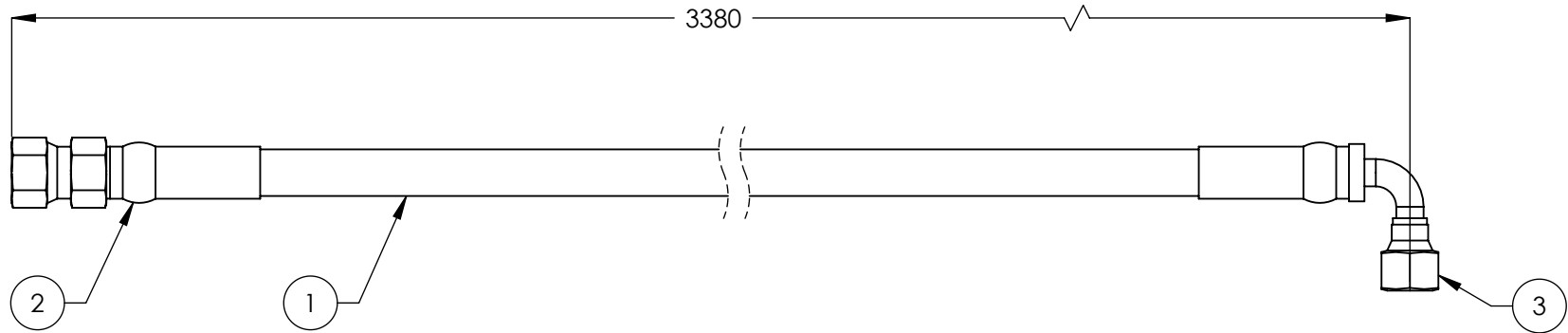
ITEM NO	PART NUMBER	DESCRIPTION	QTY	REV
1	700221	CYLINDER TUBE WELDMENT Ø3.0	1	C
2	700227	PISTON WELDMENT Ø3.0 x Ø1.0	1	D
3	700107	HEAD CAP Ø3.0	1	E
4	700225	CLEVIS PIN Ø25 x 89	1	C-002
5	WR 30.4-25.4-20 POM	WEAR RING	1	--
6	WR 76.2-69.8-12.7 POM	WEAR RING	1	--
7	CUP SEAL UN 66.2-76.2	PISTON SEAL UN 66.2-76.2	1	--
8	RECO UN-1000-1375-0250	PISTON SEAL d25.40 D34.93 h6.35	1	--
9	-334 BUANA 70	O-RING	1	--
10	-334 BUANA 90	BACKUP RING	1	--
11	RECO D-1000	WIPER	1	--
12	GLYD GS55044-0762	GLYD RING PISTON SEAL	1	--
13	5505350	MODEL#211 HAIR PIN/ LARGE	2	--
14	5535363	NUT 1"-14 NL	1	A
15	5545031	WASHER Ø2.0"x Ø1-1/16" x 5mm FLAT	1	--
16	5580112	3/8-18 NPT PLASTIC SCREW PLUG	2	--

NOTE: UNLESS OTHERWISE SPECIFIED.

- GREASE SEALS PRIOR TO ASSEMBLY
- PRESSURE TEST CYLINDER ASSEMBLY 100% TO 3,600 PSI. (NO LEAKS)
MARK IN APPROXIMATE LOCATION WITH THE FOLLOWING INFORMATION: MANUFACTURER
MONTH/ YEAR
PART NUMBER
- HERCULES HU18-2.62-37 MAY BE USED IN PLACE OF CUP SEAL UN 66.2-76.2.
- PARKER 4615-SHD-01000, HERCULES ST-100 OR AFM D-1000 MAY BE USED IN PLACE OF RECO D-1000
- DISOGRIN 001-073, HERCULES DRU18-1.00-31 OR PARKER UR 18701000-250 MAY BE USED IN PLACE OF RECO UN-1000-1375-0250
- HERCULES 25.4-30.4-20 POM MAY BE USED IN PLACE OF WR-01250-0500-125
- HERCULES 27.2-69.8-12 POM MAY BE USED IN PLACE OF WR-03000-0500-125
- VERIFY HYDRAULIC PORTS ARE CAPPED WITH PLUGS

DO NOT SCALE DRAWING	NAME	DATE	1645 LEMONWOOD DR. SANTA PAULA, CA 93060
	DRAWN	AC	
DIMENSIONS ARE IN INCHES	CHECKED	CA	08/25/2015
	THIRD ANGLE PROJECTION		
			SIZE DWG. NO. REV A 5502165 G
	PROPRIETARY AND CONFIDENTIAL THE INFORMATION CONTAINED IN THIS DRAWING IS THE SOLE PROPERTY OF BENDPAK INC. ANY REPRODUCTION IN PART OR AS A WHOLE WITHOUT THE WRITTEN PERMISSION OF BENDPAK INC. IS PROHIBITED.		
SCALE: 1:4			SHEET 1 OF 2

REVISION				
REV.	DESCRIPTION	DATE	EDITED BY	ECO#
E	UPDATED NEXT ASSEMBLY, NEXT ASSEMBLIES NOW IN NAME	12/11/2008	AC	00256
E-001	UPDATED NEXT ASSEMBLY	01/12/2009	AC	00174
E-002	UPDATED NEXT ASSEMBLY	07/27/2009	AC	00249
E-003	UPDATED NEXT ASSEMBLY	02/24/2010	AC	00333
F	UPDATED TITLE TO REFLECT WHERE USED, UPDATED NEXT ASSEMBLY	01/20/2011	TM	00439
F-001	UPDATED NEXT ASSEMBLY	06/06/2011	TM	00464
F-002	UPDATED NEXT ASSEMBLIES	11/20/2012	TM	00562
F-003	UPDATED NEXT ASSEMBLIES	05/20/2013	TM	00593
G	REPLACED 5570110 WITH 5570129	1/9/2015	MR	00675



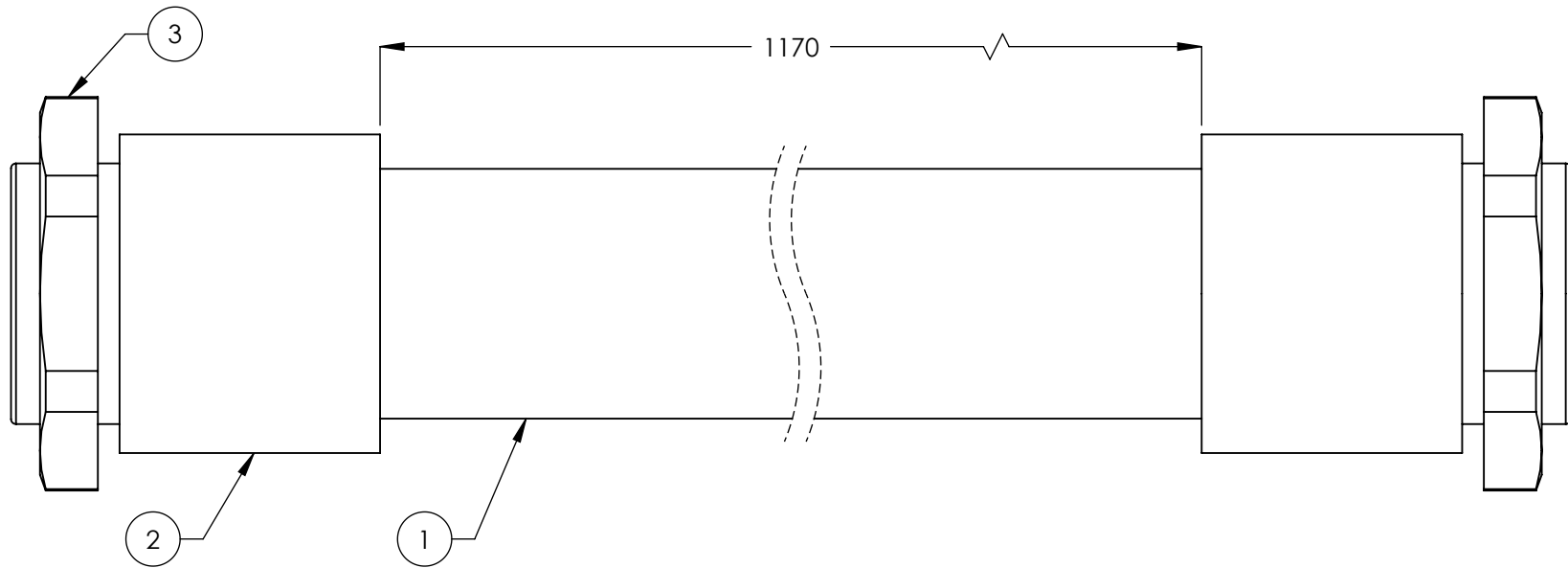
ITEM NO.	PART NUMBER	DESCRIPTION	QTY.	REV
1	5570129	Ø6.4 ID HYDRAULIC HOSE	3314mm*	A
2	5550325	FTG NPL Ø1/4 CRIMP x -04 JIC	1	-
3	5550345	FTG ELB Ø1/4 CRIMP x -04 JIC	1	-

DO NOT SCALE DRAWING		NAME	DATE	1645 LEMONWOOD DR. SANTA PAULA, CA 93060
		DRAWN	AC 12/17/2007	
		CHECKED	VB 2/06/2015	
DIMENSIONS ARE IN MM TOLERANCES: 0. = ±1.5 0.0 = ±0.5 ANGULAR: 0. = ±2° SURFACE FINISH 1.6 ISO R _a μm FOR MACHINED SURFACES UNLESS OTHERWISE SPECIFIED		THIRD ANGLE PROJECTION 		HD-14/14SS/14X HD-9/9A/9N/9/PL/9ST/9AE HYDRAULIC HOSE ASSEMBLY Ø6.4 x 3380mm TITLE:
NEXT ASSEMBLY 5250167 5250169 5250185 5250188 5250193		PROPRIETARY AND CONFIDENTIAL THE INFORMATION CONTAINED IN THIS DRAWING IS THE SOLE PROPERTY OF BENDPAK INC. ANY REPRODUCTION IN PART OR AS A WHOLE WITHOUT THE WRITTEN PERMISSION OF BENDPAK INC. IS PROHIBITED.		SIZE DWG. NO. A 5570022 REV G
SCALE: 1:2			SHEET 1 OF 1	

NOTE: UNLESS OTHERWISE SPECIFIED.

- FOR ITEM 1 SPECIFICATIONS REFER TO PART SPECIFICATION FORM
- (*)ITEM 1 QTY FOR REFERENCE ONLY

REVISION				
REV	DESCRIPTION	DATE	EDITED BY	ECO#
A	PRODUCTION RELEASE	01/18/2008	AC	00137
B	UPDATED TUBE TO NEW STYLE, UPDATED NEXT ASSEMBLY	12/11/2008	AC	00174
B-001	UPDATED NEXT ASSEMBLY	05/04/2009	AC	00277
B-002	UPDATED NEXT ASSEMBLY	02/24/2010	AC	00333
B-003	UPDATED NEXT ASSEMBLY	06/18/2010	AC	00366
B-004	UPDATED NEXT ASSEMBLY	05/22/2013	TM	00593

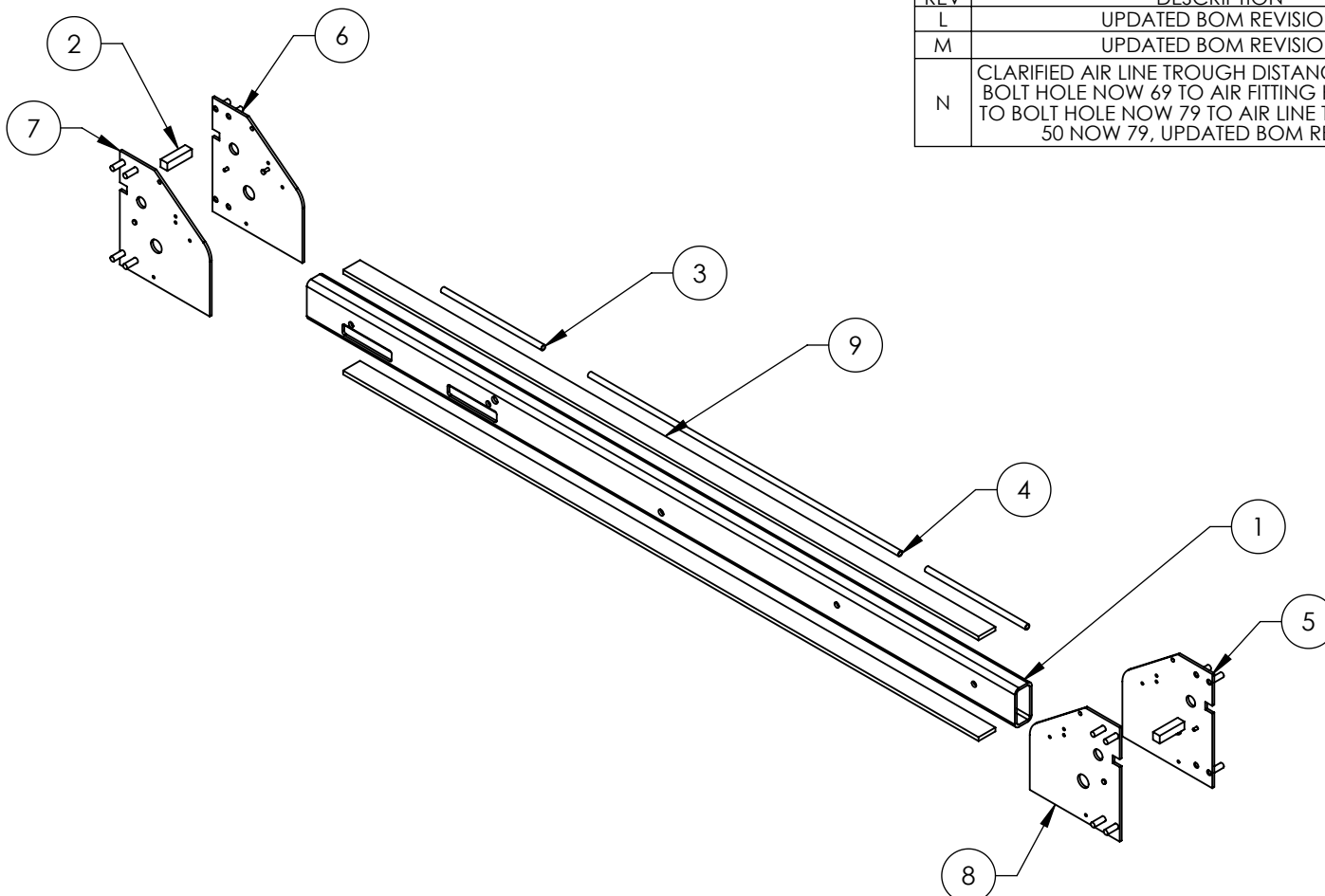


ITEM NO	PART NUMBER	DESCRIPTION	QTY	REV
1	5570053	PE FLEX TUBE Ø34.5xØ29	1	-
2	5555555	WQG1-M36/AD34.5 CONNECTOR	2	-
3	5535050	PLASTIC NUT M36 x 2	2	-

DO NOT SCALE DRAWING		NAME	DATE	1645 LEMONWOOD DR. SANTA PAULA, CA 93060
DIMENSIONS ARE IN MM TOLERANCES: 0. = ±1.5 0.0 = ±1.0 0.00 = ±0.25 0.000 = ±0.13 ANGULAR: MACH ±2° SURFACE FINISH 1.6 ISO Ra µm FOR MACHINED SURFACES UNLESS OTHERWISE SPECIFIED		DRAWN	MT	
MATERIAL:		CHECKED		
NEXT ASSEMBLY 5250185 5250186 5250188 5250189		THIRD ANGLE PROJECTION 		TITLE: FLEX TUBE ASSEMBLY 1170mm
SIZE:		SIZE DWG. NO. A 5570052		REV B
PROPRIETARY AND CONFIDENTIAL THE INFORMATION CONTAINED IN THIS DRAWING IS THE SOLE PROPERTY OF BENDPAK INC. ANY REPRODUCTION IN PART OR AS A WHOLE WITHOUT THE WRITTEN PERMISSION OF BENDPAK INC. IS PROHIBITED.			SCALE: 1:1	SHEET 1 OF 1

NOTE: UNLESS OTHERWISE SPECIFIED.

- FOR ITEM 1 SPECIFICATIONS REFER TO PART SPECIFICATION FORM
- (*)ITEM 1 QTY FOR REFERENCE ONLY



REVISION				
REV	DESCRIPTION	DATE	EDITED BY	ECO#
L	UPDATED BOM REVISION	03/31/2014	TM	00648
M	UPDATED BOM REVISION	09/30/2014	TM	00664
N	CLARIFIED AIR LINE TROUGH DISTANCE, WAS 31 TO BOLT HOLE NOW 69 TO AIR FITTING HOLE, WAS 25 TO BOLT HOLE NOW 79 TO AIR LINE TROUGH, WAS 50 NOW 79, UPDATED BOM REVISION	05/28/2015	TM	00683

ITEM NO	PART NUMBER	DESCRIPTION	QTY	REV
1	5766052	HD-7P/7PXN/9PL/9ST/9STX SMALL WINDOW CROSSTUBE	1	E
2	5760010	HD-7/9 SERIES CROSSTUBE SAFETY BLOCK	2	B
3	5755018	AIR LINE TROUGH Ø13 x Ø9.8 x 297	2	C
4	5755020	AIR LINE TROUGH Ø13 x Ø9.8 x 918	1	C
5	5620130	HD-7/7500/9 SERIES CROSS TUBE END PLATE #1	1	J
6	5620131	HD-7/7500/9 SERIES CROSS TUBE END PLATE #2	1	J
7	5620132	HD-7/7500/9 SERIES CROSS TUBE END PLATE #3	1	J
8	5620133	HD-7/7500/9 SERIES CROSS TUBE END PLATE #4	1	J
9	5735052	HD-7P/7PXN/9ST/9STX CROSS TUBE STRAP	2	D

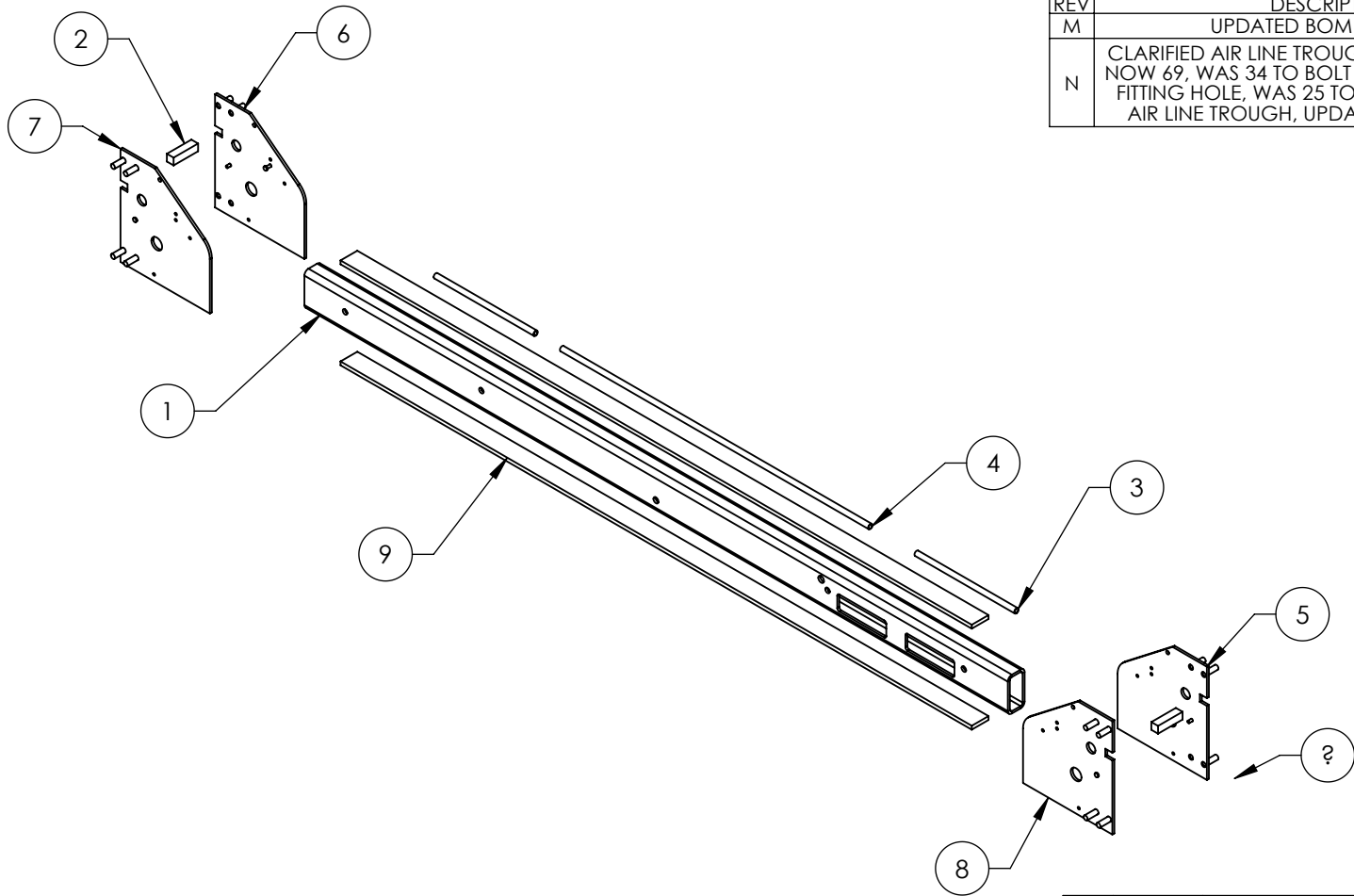
DO NOT SCALE DRAWING	NAME	DATE	1645 LEMONWOOD DR. SANTA PAULA, CA 93060
DIMENSIONS ARE IN MM TOLERANCES: 0. = ±1.5 0.0 = ±0.5 ANGULAR: 0. = ±2° SURFACE FINISH 1.6 ISO R _a μm FOR MACHINED SURFACES UNLESS OTHERWISE SPECIFIED	DRAWN	AC 11/11/2008	
	CHECKED	CA 08/27/2015	
THIRD ANGLE PROJECTION			
TITLE: HD-9ST/9STX SMALL WINDOW CROSSTUBE WELDMENT			REV
SIZE DWG. NO. A 5600152		REV N	
SCALE: 1:15			SHEET 1 OF 2

NOTE: UNLESS OTHERWISE SPECIFIED.

1. BREAK AND DEBURR ALL SHARP EDGES 0.3mm
2. REMOVE ALL WELD SPLATTER
3. PAINT BENDPAK BLUE

NEXT ASSEMBLY
5215601

PROPRIETARY AND CONFIDENTIAL
THE INFORMATION CONTAINED IN THIS DRAWING IS THE SOLE PROPERTY OF BENDPAK INC. ANY REPRODUCTION IN PART OR AS A WHOLE WITHOUT THE WRITTEN PERMISSION OF BENDPAK INC. IS PROHIBITED.



REVISION				
REV	DESCRIPTION	DATE	EDITED BY	ECO#
M	UPDATED BOM REVISIONS	09/30/2014	TM	00664
N	CLARIFIED AIR LINE TROUGH DISTANCE, WAS 50 NOW 69, WAS 34 TO BOLT HOLE NOW 69 TO AIR FITTING HOLE, WAS 25 TO BOLT HOLE NOW 79 AIR LINE TROUGH, UPDATED BOM REVISION	05/28/2015	TM	00683

ITEM NO	PART NUMBER	DESCRIPTION	QTY	REV
1	5766053	HD-9ST/9STX LARGE WINDOW CROSSTUBE	1	E
2	5760010	HD-7/9 SERIES CROSSTUBE SAFETY BLOCK	2	B
3	5755018	AIR LINE TROUGH Ø13 x Ø9.8 x 297	2	C
4	5755020	AIR LINE TROUGH Ø13 x Ø9.8 x 918	1	C
5	5620130	HD-7/7500/9 SERIES CROSS TUBE END PLATE #1	1	J
6	5620131	HD-7/7500/9 SERIES CROSS TUBE END PLATE #2	1	J
7	5620132	HD-7/7500/9 SERIES CROSS TUBE END PLATE #3	1	J
8	5620133	HD-7/7500/9 SERIES CROSS TUBE END PLATE #4	1	J
9	5735052	HD-7P/7PXN/9ST/9STX CROSS TUBE STRAP	2	D

DO NOT SCALE DRAWING	NAME	DATE	1645 LEMONWOOD DR. SANTA PAULA, CA 93060
	DRAWN	AC 11/11/2008	
	CHECKED	-	
DIMENSIONS ARE IN MM TOLERANCES: 0. = ±1.5 0.0 = ±0.5 ANGULAR: 0. = ±2° SURFACE FINISH 1.6 ISO Ra µm FOR MACHINED SURFACES UNLESS OTHERWISE SPECIFIED	THIRD ANGLE PROJECTION		TITLE: HD-9ST/9STX LARGE WINDOW CROSSTUBE WELDMENT
	SIZE	DWG. NO.	REV
	A	5600153	N
SCALE: 1:15			SHEET 1 OF 2

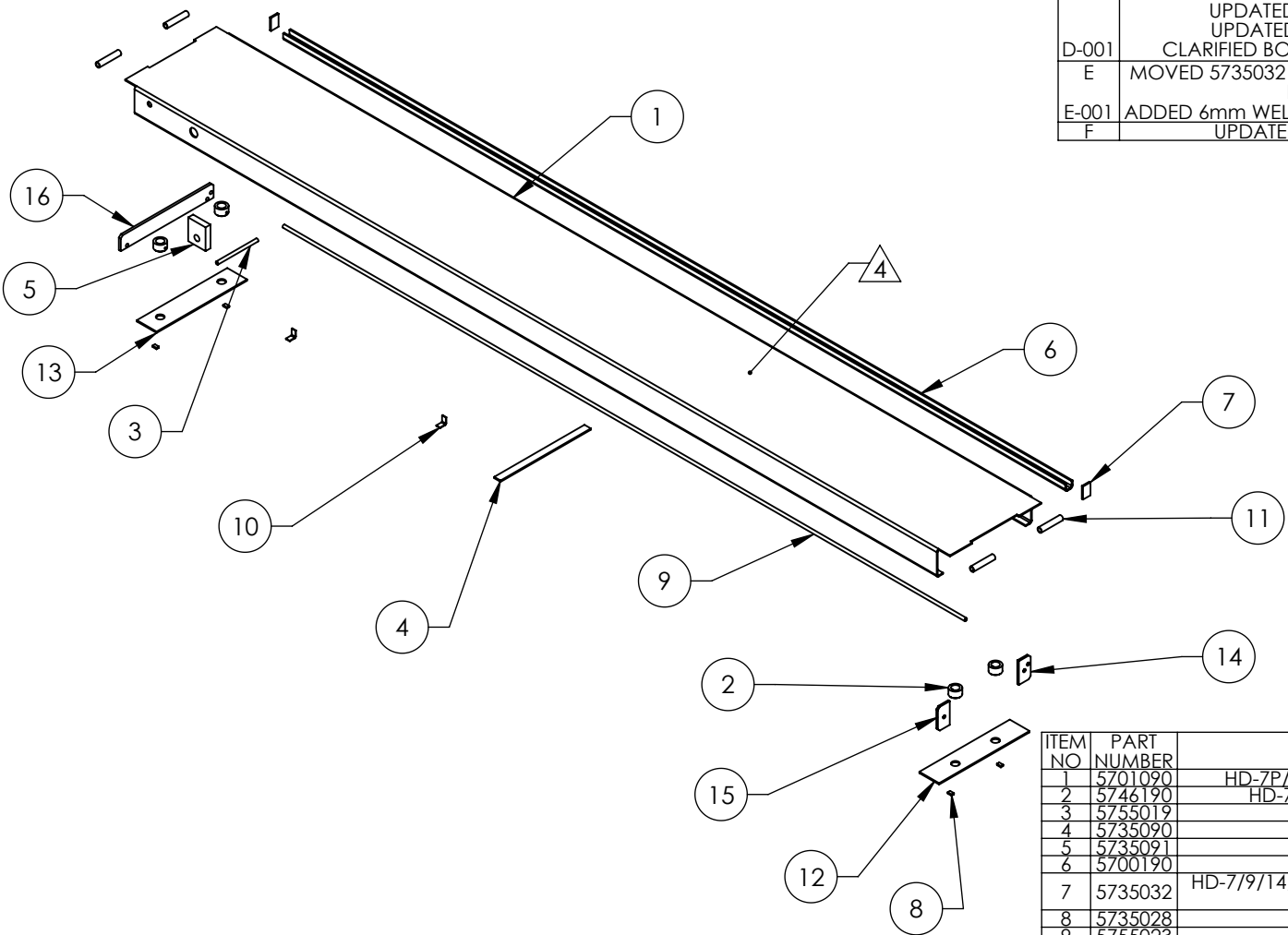
NOTE: UNLESS OTHERWISE SPECIFIED.

1. BREAK AND DEBURR ALL SHARP EDGES 0.3mm
2. REMOVE ALL WELD SPLATTER
3. PAINT BENDPAK BLUE

NEXT ASSEMBLY
5215602

PROPRIETARY AND CONFIDENTIAL
THE INFORMATION CONTAINED IN THIS DRAWING IS THE SOLE PROPERTY OF BENDPAK INC. ANY REPRODUCTION IN PART OR AS A WHOLE WITHOUT THE WRITTEN PERMISSION OF BENDPAK INC. IS PROHIBITED.

REVISION				
REV	DESCRIPTION	DATE	EDITED BY	ECO#
D	UPDATED TITLE TO REFLECT WHERE USED UPDATED BOM REVISIONS UPDATED NEXT ASSEMBLY	06/03/2010	AC	00366
D-001	CLARIFIED BOLT PLATE PLACEMENTS	06/22/2010	AC	00373
E	MOVED 5735032 UP 12mm, UPDATED BOM REVISION	10/18/2010	TM	00414
E-001	ADDED 6mm WELD TO BOTTOM OF 5735091	08/09/2011	TM	00479
F	UPDATED BOM REVISION	09/02/2014	TM	00664



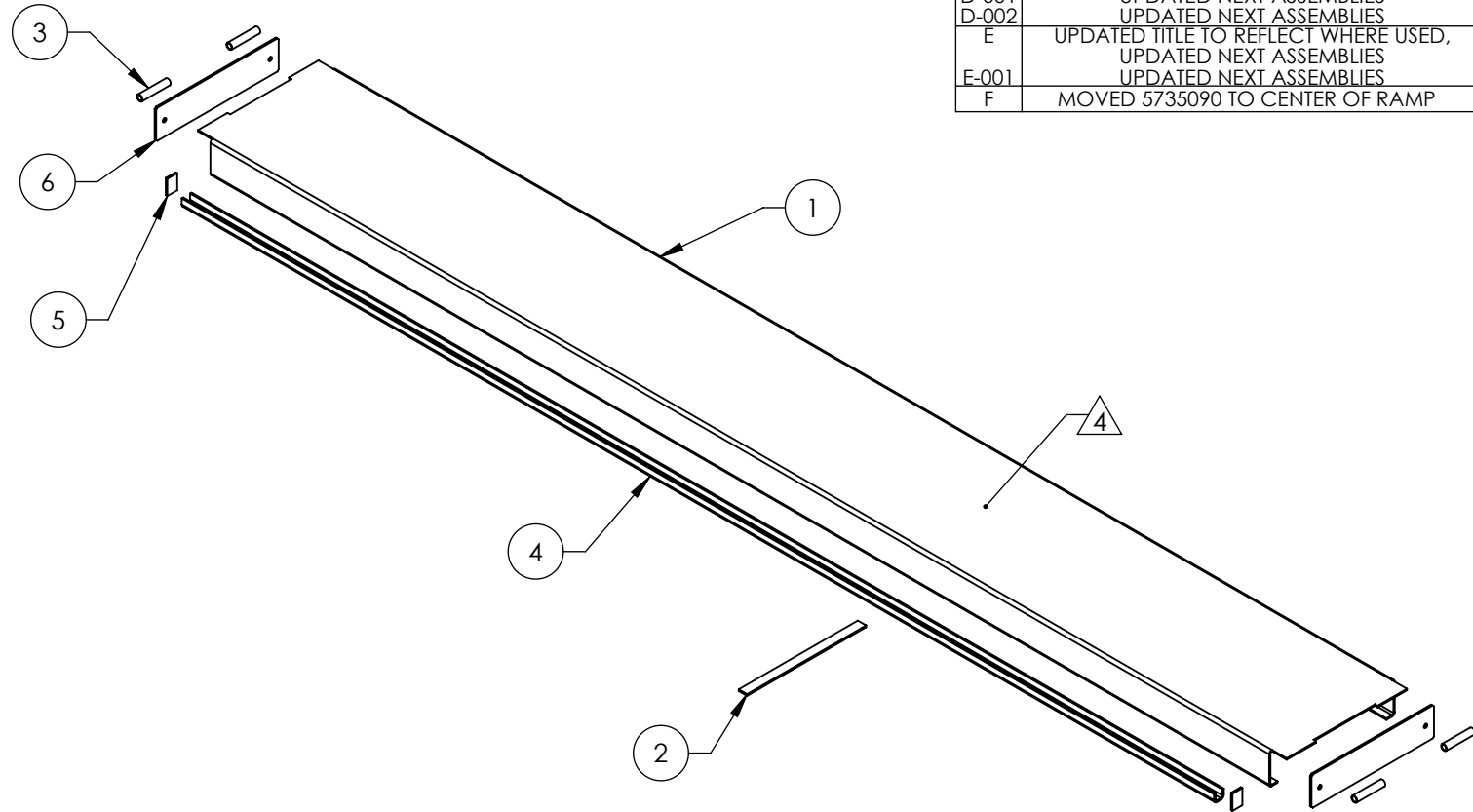
ITEM NO	PART NUMBER	DESCRIPTION	QTY	REV
1	5701090	HD-7P/7500BL/9/9A/9ST/9SW POWER SIDE RAMP	1	F
2	5746190	HD-7/7500/9 SERIES RAMP SHEAVE BUSHING	4	C
3	5755019	AIR LINE TROUGH Ø13 x Ø9.8 x 203	1	B
4	5735090	HD-7500/9 SERIES RAMP STRAP	1	B
5	5735091	HD-7500/9 SERIES CYLINDER CLEVIS	1	C
6	5700190	ROLLING BRIDGE BEAM	1	A
7	5735032	HD-7/9/14, HDS/HDSO-14, XR-12000 ROLLING JACK RAIL CLOSEOUT	2	C
8	5735028	PIN STOP	4	B
9	5755023	AIR LINE TROUGH Ø13 x Ø9.8 x 3454	1	B
10	5700300	HYD. HOSE HOLDER	2	A
11	5755090	HD-7/7500/9 SERIES DRIVE UP RAMP HINGE TUBE	4	C
12	5736200	HD-7500/9 SERIES 4-SHEAVE RAMP END PLATE	1	B
13	5736201	HD-7/7500/9 SERIES 2-SHEAVE RAMP END PLATE	1	B
14	5736203	HD-7500/9 SERIES 4-SHEAVE RIGHT RAMP BOLT PLATE	1	C
15	5736204	HD-7500/9 SERIES 4-SHEAVE LEFT RAMP BOLT PLATE	1	C
16	5736202	HD-7/7500/9 SERIES 2-SHEAVE RAMP BOLT PLATE	1	C

- NOTE: UNLESS OTHERWISE SPECIFIED.**
- BREAK AND DEBURR ALL SHARP EDGES 0.3mm
 - REMOVE ALL WELD SPLATTER
 - PAINT BENDPAK BLUE
 - APPLY #30 GRIT ALUMINUM OXIDE WHEN PAINTING TO TOP ONLY AFTER WELDING

NEXT ASSEMBLY
5215190

DO NOT SCALE DRAWING	NAME	DATE	1645 LEMONWOOD DR. SANTA PAULA, CA 93060
	DRAWN	AC 11/05/2008	
	CHECKED		
DIMENSIONS ARE IN MM TOLERANCES: 0. = ±1.5 0.0 = ±0.5	THIRD ANGLE PROJECTION		TITLE: HD-7500BL/9/9ST/9SW POWER SIDE RAMP WELDMENT
ANGULAR: 0. = ±2°			SIZE DWG. NO.
SURFACE FINISH 1.6 ISO Ra µm FOR MACHINED SURFACES UNLESS OTHERWISE SPECIFIED			REV
	PROPRIETARY AND CONFIDENTIAL THE INFORMATION CONTAINED IN THIS DRAWING IS THE SOLE PROPERTY OF BENDPAK INC. ANY REPRODUCTION IN PART OR AS A WHOLE WITHOUT THE WRITTEN PERMISSION OF BENDPAK INC. IS PROHIBITED.		A 5600200 F
	SCALE: 1:25		SHEET 1 OF 4

REVISION					
REV	DESCRIPTION	DATE	EDITED BY	ECO#	
D	MOVED 5735032 UP 12mm, UPDATED BOM REVISION	10/18/2010	TM	00414	
D-001	UPDATED NEXT ASSEMBLIES	10/27/2011	TM	00487	
D-002	UPDATED NEXT ASSEMBLIES	11/19/2012	TM	00562	
E	UPDATED TITLE TO REFLECT WHERE USED, UPDATED NEXT ASSEMBLIES	04/24/2013	TM	00593	
E-001	UPDATED NEXT ASSEMBLIES	08/13/2014	TM	00664	
F	MOVED 5735090 TO CENTER OF RAMP	1/8/2015	MR	00675	



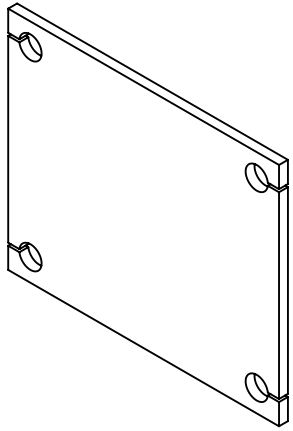
ITEM NO	PART NUMBER	DESCRIPTION	QTY	REV
1	5701467	HD-7/7500/9 SERIES OFF SIDE RAMP	1	C
2	5735090	HD-7500/9 SERIES RAMP STRAP	1	B
3	5755090	HD-7/7500/9 SERIES DRIVE UP RAMP HINGE TUBE	4	C
4	5700190	ROLLING BRIDGE BEAM	1	A
5	5735032	HD-7/9/14, HDS/HDSO-14, XR-12000 ROLLING JACK RAIL CLOSEOUT	2	C
6	5736090	HD-7/7500/9 SERIES RAMP END PLATE	2	C

DO NOT SCALE DRAWING		NAME	DATE	1645 LEMONWOOD DR. SANTA PAULA, CA 93060
		DRAWN	AC 11/05/2008	
		CHECKED	CA 08/27/2015	
DIMENSIONS ARE IN MM TOLERANCES: 0. = ±1.5 0.0 = ±0.5 ANGULAR: 0. = ±2°		THIRD ANGLE PROJECTION		TITLE: HD-7500BL/9/9ST/9SW OFF SIDE RAMP WELDMENT
NEXT ASSEMBLY 5245383 5245390 5245395 5245396				SIZE DWG. NO. A 5600203
		PROPRIETARY AND CONFIDENTIAL THE INFORMATION CONTAINED IN THIS DRAWING IS THE SOLE PROPERTY OF BENDPAK INC. ANY REPRODUCTION IN PART OR AS A WHOLE WITHOUT THE WRITTEN PERMISSION OF BENDPAK INC. IS PROHIBITED.		REV F
			SCALE: 1:20	SHEET 1 OF 3

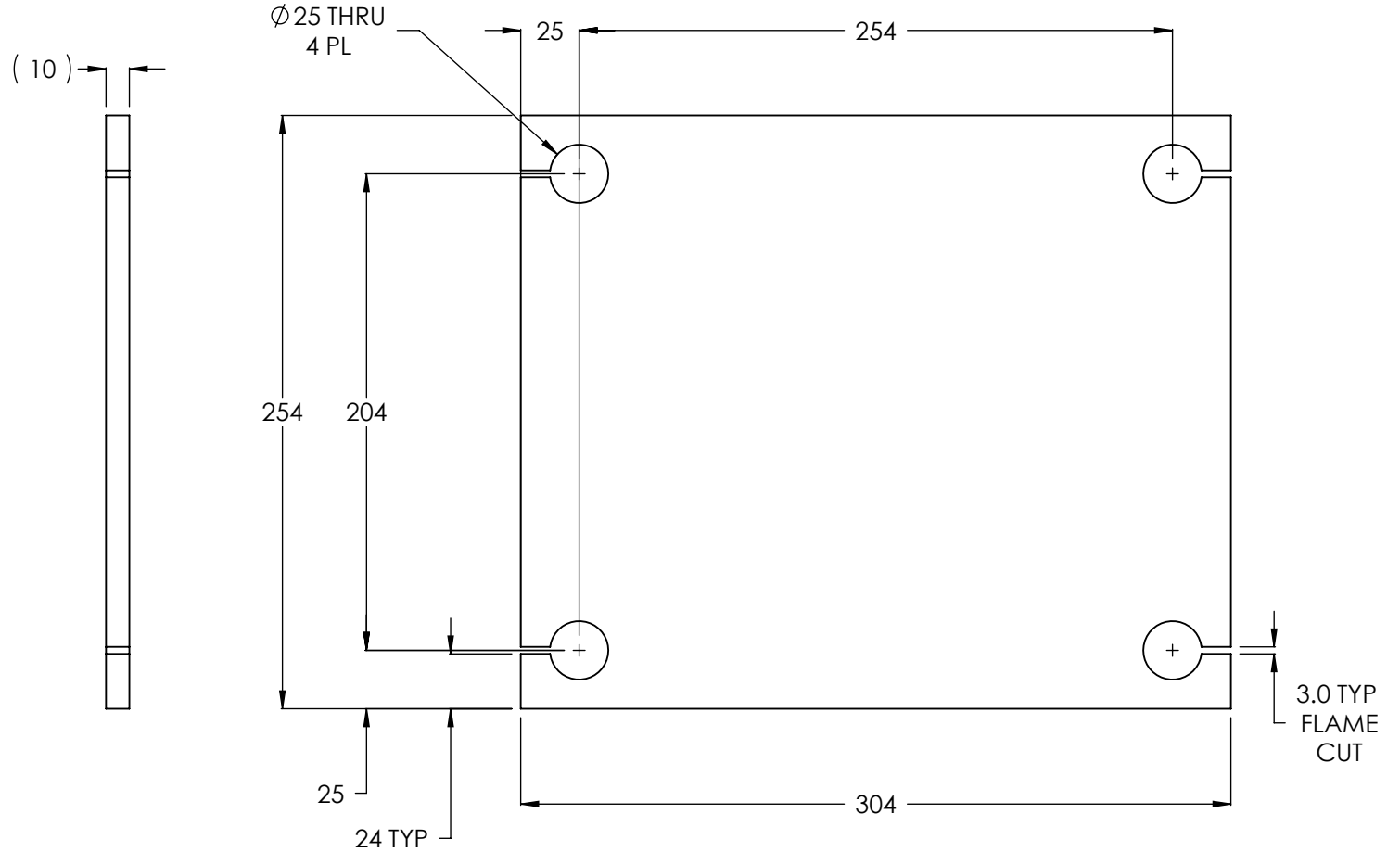
NOTE: UNLESS OTHERWISE SPECIFIED.

1. BREAK AND DEBURR ALL SHARP EDGES 0.3mm
2. REMOVE ALL WELD SPLATTER
3. PAINT BENDPAK BLUE
4. APPLY #30 GRIT ALUMINUM OXIDE WHEN PAINTING TO TOP ONLY AFTER WELDING

REVISION				
REV.	DESCRIPTION	DATE	EDITED BY	ECO#
B	UPDATE SHEET TEMPLATE	03/31/2008	MT	00157
B-001	CHANGED SURFACE FINISH FROM 3.2 μm TO 1.6 Ra μm	09/10/2008	GJ	00237
B-002	UPDATED NEXT ASSEMBLY	10/30/2008	AC	00174
B-003	UPDATED NEXT ASSEMBLY	11/12/2008	TM	00249
C	UPDATED TITLE TO REFLECT WHERE USED	02/26/2010	AC	00333
D	UPDATED TITLE TO REFLECT WHERE USED	06/02/2010	AC	00366
D-001	UPDATED NEXT ASSEMBLIES	11/01/2011	TM	00487



ISOMETRIC VIEW
FOR REFERENCE ONLY
DO NOT SCALE



NOTE: UNLESS OTHERWISE SPECIFIED.

1. BREAK AND DEBURR ALL SHARP EDGES 0.3mm.

DO NOT SCALE DRAWING	NAME	DATE	1645 LEMONWOOD DR. SANTA PAULA, CA 93060
	DRAWN	GJZ 02/29/2008	
DIMENSIONS ARE IN MM TOLERANCES: 0. = ± 1.5 0.0 = ± 0.5 ANGULAR: 0. = $\pm 2^\circ$	CHECKED		TITLE: HD-7P/7500/9/14 SERIES POST BASE PLATE
	THIRD ANGLE PROJECTION		
SURFACE FINISH 1.6 ISO Ra μm FOR MACHINED SURFACES UNLESS OTHERWISE SPECIFIED MATERIAL: HR ASTM A36 OR Q235 GB/T 700 SIZE: 10mm THK	PROPRIETARY AND CONFIDENTIAL THE INFORMATION CONTAINED IN THIS DRAWING IS THE SOLE PROPERTY OF BENDPAK INC. ANY REPRODUCTION IN PART OR AS A WHOLE WITHOUT THE WRITTEN PERMISSION OF BENDPAK INC. IS PROHIBITED.		SCALE: 1:3 SHEET 1 OF 1

PART SPECIFICATION FORM

BENDPAK Number:	5900123
MRP Description:	HD-9 INSTALLATION MANUAL
Date:	05/12/2016
ECO :	00741

1. Engineering Specification

Application:

INSTALLATION MANUAL

Detailed Description:

WARNING

EUROPEAN USERS

400V/50HZ SUPPLY DETAILS ARE INCLUDED WITH ELECTRICAL CONNECTION BOX. CHECK CAREFULLY WITH WIRING DETAILS IN THIS MANUAL.

IMPORTANT SAFETY INSTRUCTIONS
SAVE THESE INSTRUCTIONS

PLEASE READ THE ENTIRE CONTENTS OF THIS MANUAL PRIOR TO INSTALLATION AND OPERATION. BY PROCEEDING YOU AGREE THAT YOU FULLY UNDERSTAND AND COMPREHEND THE FULL CONTENTS OF THIS MANUAL. FORWARD THIS MANUAL TO ALL OPERATORS. FAILURE TO OPERATE THIS EQUIPMENT AS DIRECTED MAY CAUSE INJURY OR DEATH.

Manual HD9 11-02-15
p# 5900123

INSTALLATION AND OPERATION MANUAL

**9,000 POUND CAPACITY
COMMERCIAL GRADE
FOUR-POST LIFTS**

MODELS:

HD-9ST VERSION K


HD-9 VERSION L

HD-9STX VERSION M


HD-9XW VERSION N

HD-9XL VERSION E

READ FIRST



DO NOT OPERATE THIS EQUIPMENT UNTIL YOU READ AND UNDERSTAND ALL THE IMPORTANT INSTRUCTIONS AND WARNINGS IN THIS MANUAL.



ORIGINAL INSTRUCTIONS IN ENGLISH LANGUAGE.

Keep this operation manual near the machine at all times. Make sure that ALL USERS read this manual.

RECEIVING
The shipment should be thoroughly inspected as soon as it is received. The signed Bill of Lading is acknowledgement by the shipping carrier as receipt of this product as listed in your invoice as being in a good condition of shipment. If any of these goods listed on this Bill of Lading are missing or damaged, do not accept goods until the shipping carrier makes a notation on the freight bill of the missing or damaged goods. Do this for your own protection.

BE SAFE
Your new lift was designed and built with safety in mind. However, your overall safety can be increased with proper training and thoughtful operation on the part of the operator. DO NOT operate or repair this equipment without reading this manual and the important safety instructions shown inside. Keep this operation manual near the lift at all times. Make sure that ALL USERS read and understand this manual.

1645 Lemonwood Dr.
Santa Paula, CA. 93060, USA
Toll Free 1-800-253-2393
Tel: 1-805-933-9970
Fax: 1-805-933-9160
www.bendpak.com

2. Vendor Information

Approved Vendor	Vendor Part #	Contact #	Preferred Vendor
1)			

PART SPECIFICATION FORM

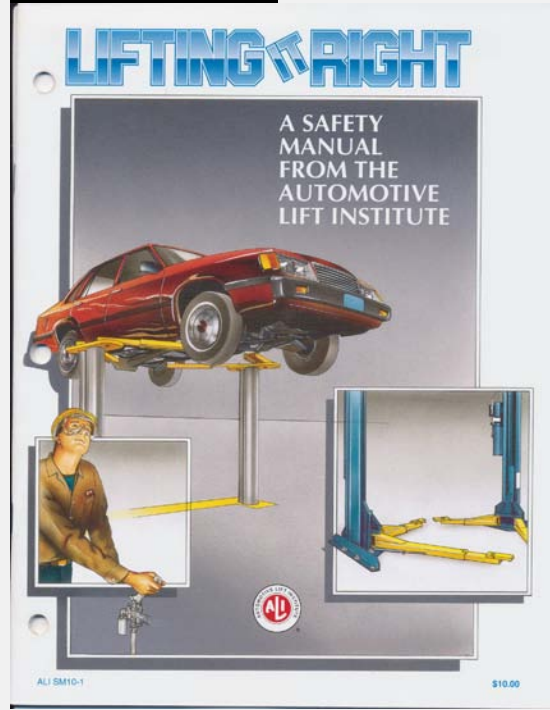
BENDPAK Number:	5900147
MRP Description:	SAFETY MANUAL ALI / SM 93-1
Date:	12/28/2010
ECO :	00431

1. Engineering Specification

Application:

ALI SAFETY MANUAL

Detailed Description:



2. Vendor Information

Approved Vendor	Vendor Part #	Contact #	Preferred Vendor
1)			

PART SPECIFICATION FORM

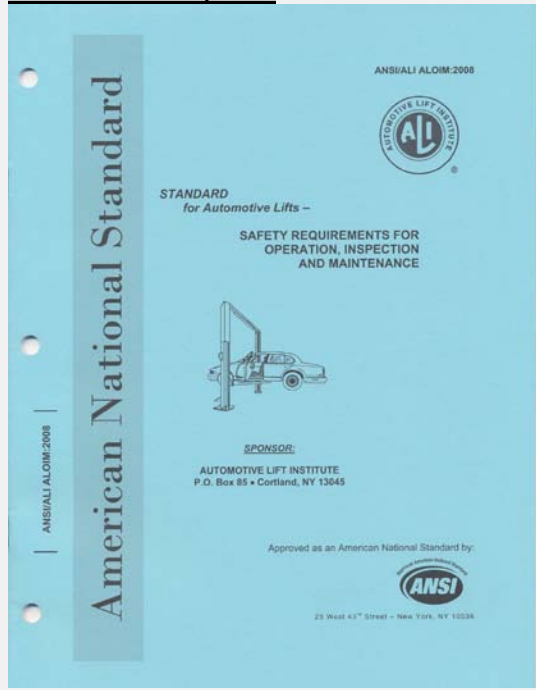
BENDPAK Number:	5900152
MRP Description:	ALIGN OIM OPERATION INSPECTION & MAINTENANCE
Date:	12/28/2010
ECO :	00431

1. Engineering Specification

Application:

ALI OPERATION INSPECTION & MAINTENANCE MANUAL

Detailed Description:



2. Vendor Information

Approved Vendor	Vendor Part #	Contact #	Preferred Vendor
1)			

PART SPECIFICATION FORM

BENDPAK Number:	5905103
MRP Description:	WARNING ALI/WL 200
Date:	05/06/2013
ECO :	00593

1. Engineering Specification

Application:

ALI 4 POST SAFETY STICKER KIT

Detailed Description:

Automotive Lift Institute, Inc.

WL200 Series Label Kit

The messages and pictographs shown are generic in nature and are meant to generally represent hazards common to all automotive lifts regardless of specific style. Funding for the development and validation of these labels was provided by the Automotive Lift Institute, PO Box 85 Cortland, NY 13045. Replacement label sets may be obtained from the original lift manufacturer and ALI's member companies. They are protected by copyright. www.aliinstitute.org © 2012 by ALI, Inc. ALI/WL200

SIZE: 11" L x 8.5" W (279mm x 216mm)

2. Vendor Information

Approved Vendor	Vendor Part #	Contact #	Preferred Vendor
1)			

PART SPECIFICATION FORM

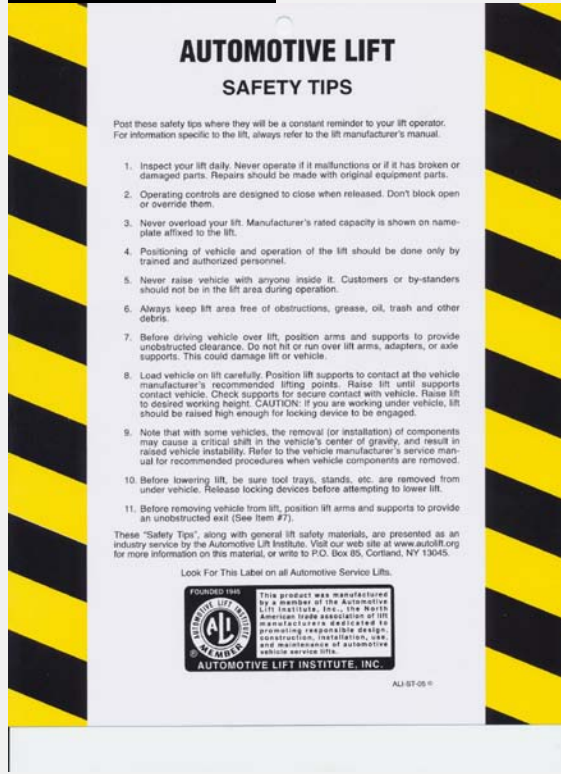
BENDPAK Number:	5905151
MRP Description:	SAFETY TIPS CARD ALI-ST 90
Date:	12/28/2010
ECO :	00431

1. Engineering Specification

Application:

ALI SAFETY TIPS

Detailed Description:



2. Vendor Information

Approved Vendor	Vendor Part #	Contact #	Preferred Vendor
1)			

PART SPECIFICATION FORM

BENDPAK Number:	5905311
MRP Description:	BENDPAK LABEL; 4 x 38" WHITE INK
Date:	05/13/2015
ECO :	00689

1. Engineering Specification

Application:

BENDPAK LABEL

Detailed Description:



SIZE: 38" L x 4.25" W (965mm x 108mm)

- Material: Yellow Represents Clear Adhesive PET
- Size: 4.25"W x 38"H
- Thickness: 4 Mil
- Finish: Polished
- Ink: U.V. protected, Opaque White
- Print Process: Silk Screen, 85 line-screen (Opaque White ink, clear adhesive PET will fill in blank areas.)
- Lamination: Clear-gloss over-laminate for abrasion, chemical, and ultra violet protection

2. Vendor Information

Approved Vendor	Vendor Part #	Contact #	Preferred Vendor
1)			

B

E

N

D

P

A

K

BENDPAK

ABOVE-GROUND LIFTS



1645 Lemonwood Drive
Santa Paula, CA 93060
U.S.A.
(805) 933-9970
www.bendpak.com

PART SPECIFICATION FORM

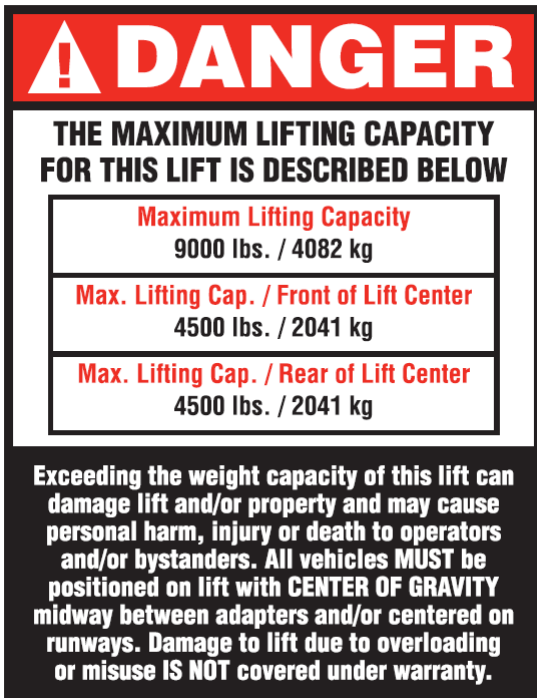
BENDPAK Number:	5905402
MRP Description:	MAX CAP DANGER 9K
Date:	05/06/2013
ECO :	00593

1. Engineering Specification

Application:

LIFT CAPACITY STICKER

Detailed Description:



SIZE: 5" L x 4" W (127mm x 100mm)

P/N 5905402

2. Vendor Information

Approved Vendor	Vendor Part #	Contact #	Preferred Vendor
1)			



1645 Lemonwood Dr., Santa Paula, CA. 93060
Tel: 1-805-933-9970 Fax: 1-805-933-9160
www.bendpak.com

DANGER

THE MAXIMUM LIFTING CAPACITY FOR THIS LIFT IS DESCRIBED BELOW

Maximum Lifting Capacity

9000 lbs. / 4082 kg

Max. Lifting Cap. / Front of Lift Center

4500 lbs. / 2041 kg

Max. Lifting Cap. / Rear of Lift Center

4500 lbs. / 2041 kg

Exceeding the weight capacity of this lift can damage lift and/or property and may cause personal harm, injury or death to operators and/or bystanders. All vehicles MUST be positioned on lift with CENTER OF GRAVITY midway between adapters and/or centered on runways. Damage to lift due to overloading or misuse IS NOT covered under warranty.

PART SPECIFICATION FORM

BENDPAK Number:	5905465
MRP Description:	MANUFACTURER LABEL
Date:	05/07/2013
ECO :	00593

1. Engineering Specification

Application:

MANUFACTURER LABEL

Detailed Description:

MFD. BY BENDPAK INC.

LIFT TYPE: SURFACE MOUNT CAPACITY: MED/HVY DTY
 POWER: ELECTRIC/HYDRAULIC ANCHORS: AS EQUIPPED
 INSTALLATION – SEE OWNERS GUIDE OR CONTACT FACTORY

SIZE: 5.125" L x 5.125" W (130mm x 130mm)

SHIPPING DAMAGE CLAIMS

WHEN THIS EQUIPMENT IS SHIPPED, TITLE PASSES TO THE PURCHASER UPON RECEIPT FROM THE CARRIER. CONSEQUENTLY, CLAIMS FOR THE MATERIAL DAMAGED IN SHIPMENT MUST BE MADE BY THE PURCHASER AGAINST THE TRANSPORTATION COMPANY AT THE TIME SHIPMENT IS RECEIVED.

PLEASE READ ALL OPERATORS/USERS MANUAL(S) PRIOR TO INSTALLATION AND OPERATION. UNDERSTAND AND COMPREHEND THE FULL CONTENTS OF EACH MANUAL(S) PRIOR TO INSTALLATION AND OPERATION. DELIVER THE MANUAL(S) TO ALL OPERATORS. FAILURE TO OPERATE THIS EQUIPMENT AS DIRECTED MAY CAUSE INJURY OR DEATH.

IMPORTANT NOTE:

BENDPAK LIFTS ARE SUPPLIED WITH CONCRETE FASTENERS MEETING THE CRITERIA AS PRESCRIBED BY ASTM E488 – 96(2003). LIFT BUYERS ARE RESPONSIBLE FOR ANY SPECIAL REGIONAL STRUCTURAL AND/OR SEISMIC ANCHORING REQUIREMENTS SPECIFIED BY ANY OTHER AGENCIES AND/OR CODES SUCH AS THE UNIFORM BUILDING CODE (UBC) AND/OR INTERNATIONAL BUILDING CODE (IBC).



INTERNAL BAR CODE – FOR FACTORY AUDIT ONLY 34086

BPK	STYOT	P20KVR	X18576	HVY DTY/ GVR 832
-----	-------	--------	--------	---------------------

THE MANUFACTURE, USE, SALE OR IMPORT OF THIS PRODUCT MAY BE SUBJECT TO ONE OR MORE UNITED STATES PATENTS, OR PENDING APPLICATIONS, OWNED BY BENDPAK, INC.

ENGINEERED BY BENDPAK INC USA

MADE IN CHINA

2. Vendor Information

Approved Vendor	Vendor Part #	Contact #	Preferred Vendor
1)			

MFD. BY BENDPAK INC.

LIFT TYPE: SURFACE MOUNT

CAPACITY: MED/HVY DTY

POWER: ELECTRIC/HYDRAULIC

ANCHORS: AS EQUIPPED

INSTALLATION - SEE OWNERS GUIDE OR CONTACT FACTORY

SHIPPING DAMAGE CLAIMS

WHEN THIS EQUIPMENT IS SHIPPED, TITLE PASSES TO THE PURCHASER UPON RECEIPT FROM THE CARRIER. CONSEQUENTLY, CLAIMS FOR THE MATERIAL DAMAGED IN SHIPMENT MUST BE MADE BY THE PURCHASER AGAINST THE TRANSPORTATION COMPANY AT THE TIME SHIPMENT IS RECEIVED.

PLEASE READ ALL OPERATORS/USERS MANUAL(S) PRIOR TO INSTALLATION AND OPERATION. UNDERSTAND AND COMPREHEND THE FULL CONTENTS OF EACH MANUAL(S) PRIOR TO INSTALLATION AND OPERATION. DELIVER THE MANUAL(S) TO ALL OPERATORS. FAILURE TO OPERATE THIS EQUIPMENT AS DIRECTED MAY CAUSE INJURY OR DEATH.

IMPORTANT NOTE:

BENDPAK LIFTS ARE SUPPLIED WITH CONCRETE FASTENERS MEETING THE CRITERIA AS PRESCRIBED BY ASTM E488 - 96(2003). LIFT BUYERS ARE RESPONSIBLE FOR ANY SPECIAL REGIONAL STRUCTURAL AND/OR SEISMIC ANCHORING REQUIREMENTS SPECIFIED BY ANY OTHER AGENCIES AND/OR CODES SUCH AS THE UNIFORM BUILDING CODE (UBC) AND/OR INTERNATIONAL BUILDING CODE (IBC).



INTERNAL BAR CODE - FOR FACTORY AUDIT ONLY 34086

BPK

STYOT

P20KVR

X18576

HVY DTY/ GVR
832

THE MANUFACTURE, USE, SALE OR IMPORT OF THIS PRODUCT MAY BE SUBJECT TO ONE OR MORE UNITED STATES PATENTS, OR PENDING APPLICATIONS, OWNED BY BENDPAK, INC.

ENGINEERED BY BENDPAK INC USA

MADE IN CHINA

PART SPECIFICATION FORM

BENDPAK Number:	5905556
MRP Description:	4-POST SAFETY DECAL
Date:	05/06/2013
ECO :	00593

1. Engineering Specification

Application:
 4-POST SAFETY DECAL

Detailed Description:



SIZE: 23" L x 4" W (584m x 100mm)

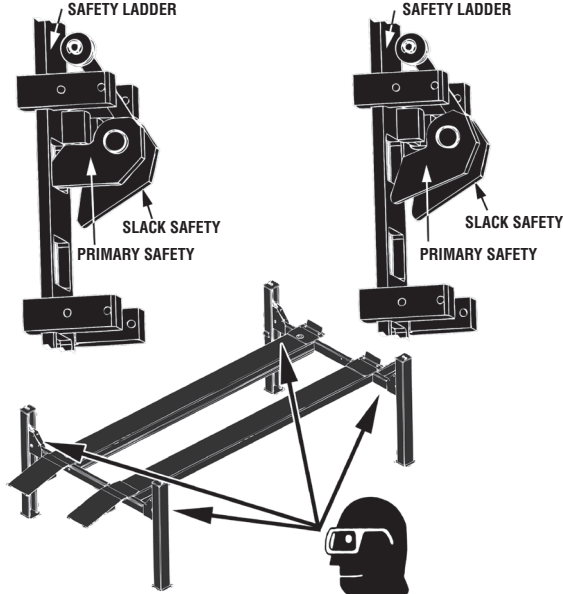
2. Vendor Information

Approved Vendor	Vendor Part #	Contact #	Preferred Vendor
1)			

! DANGER

**SAFETY LOCKS ENGAGED
- OK TO PROCEED -**

**SAFETY LOCK NOT ENGAGED
- REMAIN CLEAR -**



VISUALLY CONFIRM THAT ALL PRIMARY SAFETY LOCKS ARE ENGAGED BEFORE ENTERING WORK AREA.

Suspension components used on this lift are intended to raise and lower lift only and are NOT meant to be load-holding devices. Remain clear of elevated lift unless visual confirmation is made that all primary safety locks are fully engaged and the lift is LOWERED onto the safety locks. Refer to installation/operation manual for proper safety lock procedures and/or further instruction.

! WARNING

WIRE ROPE INSPECTION AND MAINTENANCE

- Lifting cables should be replaced every (3) three years or when visible signs of damage are apparent. DO NOT USE LIFT WITH DEFECTIVE OR WORN CABLES.
- Wire rope should be maintained in a well-lubricated condition at all times. Wire rope is only fully protected when each wire strand is lubricated both internal and external. Excessive wear will shorten the life of the wire rope. The factory suggests wire rope lubricant that penetrates to the core of the rope and provides long-term lubrication between each individual strand. In order to make sure that the inner layers of the rope remain well lubricated, lubrication should be carried out at intervals not exceeding three (3) months during operation.
- All sheaves and guide rollers in contact with the moving wire rope should be given regular visual checks for surface wear and lubricated to make sure that they run freely. This operation should be carried out at appropriate intervals generally not exceeding three (3) months during operation. For all sheave axles, the factory recommends standard wheel bearing grease. For all sheaves and/or guide rollers, the factory recommends 90-WT gear oil or similar heavy lubricant applied by any method including pump/spray dispensing, brush, hand and/or swabbing.

Failure to read, understand and follow these instructions may cause death or serious injury. Read and understand these instructions before using lift.

IMPORTANT OPERATION / MAINTENANCE INSTRUCTIONS - PLEASE READ

TO RAISE LIFT

- ✓ Position vehicle tires at the center of each runway.
- ✓ Set parking brake or use wheel chock to hold vehicle in position.
- ✓ Before raising vehicle, be sure all personnel are clear of lift and surrounding area. Pay careful attention to overhead clearances.
- ✓ Raise lift to desired height by pressing push button on power unit.
- ✓ Maintain visual contact with vehicle and surrounding area at all times while lowering lift.
- ✓ **STOP IMMEDIATELY** if load shifts or becomes unlevel.
- ✓ After vehicle is raised to desired height, lower lift onto the nearest safety lock. Do not allow cables to become excessively slack.
- ✓ **ALWAYS INSURE ALL PRIMARY SAFETY LOCKS ARE ENGAGED** before entering work area.

TO LOWER LIFT

- ✓ Before lowering vehicle, be sure all personnel, tools and equipment are clear of lift and surrounding area.
- ✓ Raise lift by pressing RAISE BUTTON on power unit. Elevate lift at least two inches to allow adequate clearance for locks to clear.
- ✓ Press push button AIR SAFETY VALVE and HOLD.
- ✓ Lower vehicle by pressing power unit lowering handle until lift has descended completely.
- ✓ When lowering lift **PAY CAREFUL ATTENTION** that all personnel and objects are kept clear.
- ✓ **ALWAYS** keep a visual line of site on lift **AT ALL TIMES**.
- ✓ **ALWAYS** make sure that **ALL LOCKS** are disengaged. If one of the locks inadvertently engages on descent, lift and/or vehicle may disrupt causing personal injury or death.

REQUIRED MONTHLY MAINTENANCE

- ✓ **ALWAYS** consult operation manual for factory recommended maintenance.
- ✓ Adjust lift cables to ensure lift raises level and safety locks engage simultaneously.
- ✓ Check all chain/cable connections, bolts and pins to insure proper mounting.
- ✓ Visually inspect safety locks for proper operation.
- ✓ Visually inspect concrete floor. **DO NOT USE LIFT** if concrete foundation shows signs of deterioration.
- ✓ Inspect all anchor bolts and retighten if necessary.
- ✓ Check columns for squareness and plumb.
- ✓ Inspect all bolts and/or fasteners making sure they are properly secured.
- ✓ Make a visual inspection of **ALL MOVING PARTS** and check for excessive signs of wear.
- ✓ Replace **ALL FAULTY PARTS** before lift is put back into operation.

! WARNING

1. **WARNING:** If cement anchor bolts are loose, or any component of the lift is found to be defective, **DO NOT USE LIFT!**
2. Never operate the lift with any person or equipment below.
3. Never exceed rated capacity.
4. Always insure safety locks are engaged before any attempt is made to work on or near vehicle.
5. Never leave lift in an elevated position unless the safety locks are engaged.
6. Do not permit electric motor to get wet! Motor damage caused by dampness is not covered under warranty.

PART SPECIFICATION FORM

BENDPAK Number:	5905940
MRP Description:	PRODUCT DATA LABEL
Date:	05/06/2013
ECO :	00593

1. Engineering Specification

Application:

PRODUCT DATA LABEL

Detailed Description:



SANTA PAULA, CA USA
WWW.BENDPAK.COM

LIFT TYPE: SURFACE MOUNT CAP: MED/HVY DTY MFG. BPK SEE DATA PLATE FOR PRODUCT DETAILS
 POWER: ELECTRIC/HYDRAULIC INSTALLATION - SEE OWNERS GUIDE OR CONTACT FACTORY

SAFETY INSTRUCTIONS: IF ATTACHMENTS, ACCESSORIES OR CONFIGURATION MODIFYING COMPONENTS THAT ARE LOCATED IN THE LOAD PATH, AFFECT OPERATION OF THE LIFT, AFFECT THE LIFT ELECTRICAL LISTING OR AFFECT INTENDED VEHICLE ACCOMMODATION ARE USED ON THIS LIFT AND, IF THEY ARE NOT CERTIFIED FOR USE ON THIS LIFT, THEN THE CERTIFICATION OF THIS LIFT SHALL BECOME NULL AND VOID. CONTACT THE PARTICIPANT FOR INFORMATION PERTAINING TO CERTIFIED ATTACHMENTS, ACCESSORIES OR CONFIGURATION MODIFYING COMPONENTS.

BENDPAK LIFTS ARE SUPPLIED WITH CONCRETE FASTENERS MEETING THE CRITERIA AS PRESCRIBED BY ASTM E488 - 96(2003). LIFT BUYERS ARE RESPONSIBLE FOR ANY SPECIAL REGIONAL STRUCTURAL AND/OR SEISMIC ANCHORING REQUIREMENTS SPECIFIED BY ANY OTHER AGENCIES AND/OR CODES SUCH AS THE UNIFORM BUILDING CODE (UBC) AND/OR INTERNATIONAL BUILDING CODE (IBC).

THE MANUFACTURE, USE, SALE OR IMPORT OF THIS PRODUCT MAY BE SUBJECT TO ONE OR MORE UNITED STATES PATENTS, OR PENDING APPLICATIONS, OWNED BY BENDPAK, INC.
 DO NOT REMOVE ENGINEERED BY BENDPAK INC. USA MADE IN CHINA

SIZE: 2.3" L x 4.5" W (58mm x 114mm)

2. Vendor Information

Approved Vendor	Vendor Part #	Contact #	Preferred Vendor
1)			



SANTA PAULA, CA USA

WWW.BENDPAK.COM

PN 5905940

LIFT TYPE: SURFACE MOUNT CAP: MED/HVY DTY MFG. BPK SEE DATA PLATE FOR PRODUCT DETAILS

POWER: ELECTRIC/HYDRAULIC INSTALLATION - SEE OWNERS GUIDE OR CONTACT FACTORY

SAFETY INSTRUCTIONS: IF ATTACHMENTS, ACCESSORIES OR CONFIGURATION MODIFYING COMPONENTS THAT ARE LOCATED IN THE LOAD PATH, AFFECT OPERATION OF THE LIFT, AFFECT THE LIFT ELECTRICAL LISTING OR AFFECT INTENDED VEHICLE ACCOMMODATION ARE USED ON THIS LIFT AND, IF THEY ARE NOT CERTIFIED FOR USE ON THIS LIFT, THEN THE CERTIFICATION OF THIS LIFT SHALL BECOME NULL AND VOID. CONTACT THE PARTICIPANT FOR INFORMATION PERTAINING TO CERTIFIED ATTACHMENTS, ACCESSORIES OR CONFIGURATION MODIFYING COMPONENTS.

BENDPAK LIFTS ARE SUPPLIED WITH CONCRETE FASTENERS MEETING THE CRITERIA AS PRESCRIBED BY ASTM E488 - 96(2003). LIFT BUYERS ARE RESPONSIBLE FOR ANY SPECIAL REGIONAL STRUCTURAL AND/OR SEISMIC ANCHORING REQUIREMENTS SPECIFIED BY ANY OTHER AGENCIES AND/OR CODES SUCH AS THE UNIFORM BUILDING CODE (UBC) AND/OR INTERNATIONAL BUILDING CODE (IBC).

THE MANUFACTURE, USE, SALE OR IMPORT OF THIS PRODUCT MAY BE SUBJECT TO ONE OR MORE UNITED STATES PATENTS, OR PENDING APPLICATIONS, OWNED BY BENDPAK, INC.

DO NOT REMOVE

ENGINEERED BY BENDPAK INC. USA

MADE IN CHINA

PART SPECIFICATION FORM

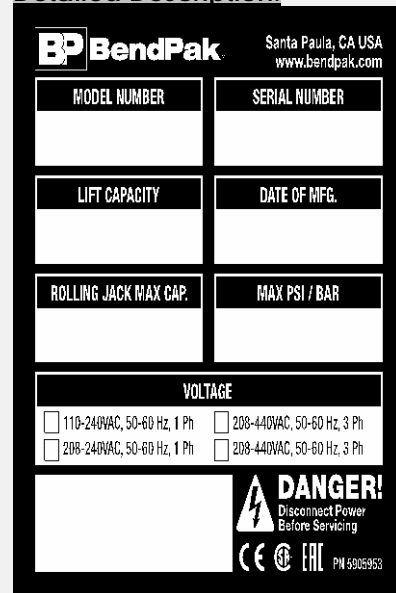
BENDPAK Number:	5905953
MRP Description:	LABEL D (4-POST LIFTS CE)
Date:	12/04/2015
ECO :	00724

1. Engineering Specification

Application:

DATA SERIAL TAG, 4-POST LIFTS, CE

Detailed Description:



BP BendPak Santa Paula, CA USA
www.bendpak.com

MODEL NUMBER	SERIAL NUMBER
LIFT CAPACITY	DATE OF MFG.
ROLLING JACK MAX CAP.	MAX PSI / BAR

VOLTAGE

110-240VAC, 50-60 Hz, 1 Ph
 208-440VAC, 50-60 Hz, 3 Ph
 208-240VAC, 50-60 Hz, 1 Ph
 208-440VAC, 50-60 Hz, 3 Ph

DANGER!
Disconnect Power Before Servicing

CE ERE PM 5905953

SIZE: 3.38" L x 3.38" W
(85.7mm x 85.7mm)

2. Vendor Information (Or for Reference)

Approved Vendor	Vendor Part #	Contact #	Preferred Vendor
1)			
2)			
OR BENDPAK ENGINEERING APPROVED EQUIVALENT			



Santa Paula, CA USA
www.bendpak.com

MODEL NUMBER

SERIAL NUMBER

LIFT CAPACITY

DESCRIPTION

ROLLING JACK MAX CAP.

MAX PSI / BAR

VOLTAGE

110-240VAC, 50-60 Hz, 1 Ph

380-415VAC, 50-60 Hz, 3 Ph

208-240VAC, 50-60 Hz, 1 Ph

208-440VAC, 50-60 Hz, 3 Ph

DATE OF MFG.

WARRANTY VOID IF DATA PLATE IS REMOVED



DANGER!

Disconnect Power
Before Servicing



PN 5905953



2016
CE-Approved
4 Post Lifts
Colors & Graphics

4/7/16

CONFIDENTIAL INFORMATION.

You may not disclose, print, copy or disseminate this information.
Unauthorized use is a violation of federal criminal law.

4 Post Lifts Product Decal Positioning



Total of 4

PN 5905311

BPK Post Branding Decal-Large_5905311.pdf:

Material: Clear Adhesive PET

Size: 4.25"W x 38"H

Thickness: 4 Mil

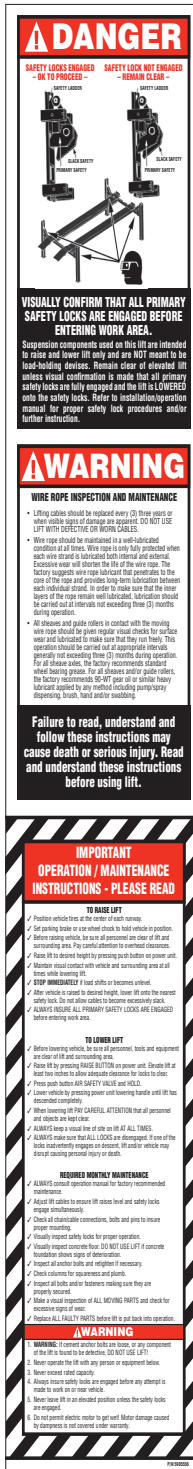
Finish: Polished

Ink: U.V. protected, Opaque White

Print Process: Silk Screen, 85 line-screen (Yellow color in file represents what should be clear PET material and SHOULD NOT print as Yellow ink. White area in file represents Opaque White ink.)

Lamination: Clear-gloss over-laminate for abrasion, chemical, and ultra violet protection

B



PN 5905556

4 Post Safety Decal.pdf:

Size: 4"W x 23"H

Material: White Vinyl Pressure Sensitive Adhesive

Thickness: 4 Mil

Ink: U.V. protected CMYK 2/C Process

Finish: Polished

Print Process: Offset Lithography - 200 line-screen or 300 p.p.i. for digital

Lamination: Clear-gloss over-laminate for abrasion, chemical, and ultra violet protection

C

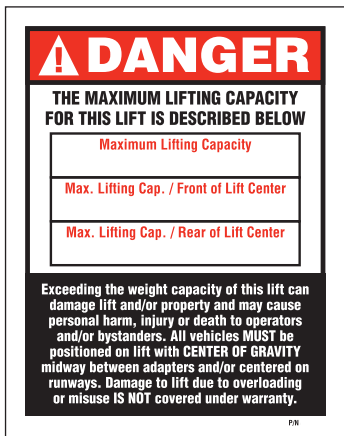


Ali_4_Post_labels.pdf:

(Order Labels from ALI)

4 Post Lifts Product Decal Positioning

***D**



- P/N 5905401 - Max Cap. Danger 7k
- P/N 5905695 - Max. Cap. Danger 7500
- P/N 5905402 - Max Cap. Danger 9k
- P/N 5905557 - Max. Cap. Danger 14K
- P/N 5905406 - Max Cap. Danger 18k
- P/N 5905407 - Max. Cap. Danger 27K
- P/N 5905408 - Max. Cap. Danger 35K
- P/N 5905409 - Max. Cap. Danger 40K

***Max. Cap. Danger.pdf:**

Size: 4"W x 5"H
 Material: White Vinyl Pressure Sensitive Adhesive
 Thickness: 4 Mil
 Ink: U.V. protected CMYK 2/C Process
 Finish: Polished
 Print Process: Offset Lithography - 200 line-screen or 300 p.p.i. for digital
 Lamination: Clear-gloss over-laminate for abrasion, chemical, and ultra violet protection

***E**



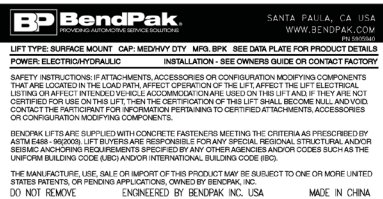
- P/N 5905645 - NRTL_Lifting_Cap_Label_7K
- P/N 5905700 - NRTL_Lifting_Cap_Label_7500
- P/N 5905650 - NRTL_Lifting_Cap_Label_9k
- P/N 5905665 - NRTL_Lifting_Cap_Label_14k
- P/N 5905675 - NRTL_Lifting_Cap_Label_18k
- P/N 5905680 - NRTL_Lifting_Cap_Label_27k
- P/N 5905685 - NRTL_Lifting_Cap_Label_35K
- P/N 5905690 - NRTL_Lifting_Cap_Label_40K

***NRTL_Lifting_Cap_Label_.pdf:**

Size: 4.5"W x 3.25"H
 Material: White Vinyl Pressure Sensitive Adhesive
 Thickness: 4 Mil
 Ink: U.V. protected CMYK 2/C Process
 Finish: Polished
 Print Process: Offset Lithography - 200 line-screen or 300 p.p.i. for digital
 Lamination: Clear-gloss over-laminate for abrasion, chemical, and ultra violet protection

***DEPENDS ON LIFT MODEL AND CAPACITY**

F



PN 5905940

Product_Data_Label_5905940-New.pdf:

Size: 4.5"W x 2.3"H
 Material: White Vinyl Pressure Sensitive Adhesive
 Thickness: 4 Mil
 Ink: U.V. protected CMYK 2/C Process
 Finish: Polished
 Print Process: Offset Lithography - 200 line-screen or 300 p.p.i. for digital
 Lamination: Clear-gloss over-laminate for abrasion, chemical, and ultra violet protection

G



PN 5905953

2015_Serial_Tag-D-5905953.jpg:

Size: 3"W x 3"H
 Material: Material: 2 Mil. Matte Silver Polyester (Flex-PSE)
 Print using thermal transfer printer with resin ribbon
 Ink: 1 Color-Black

H



PN 5905326

ALI-Gold-Label-5905326.jpg

****FOR ALLI APPROVED LIFTS ONLY**

4 Post Lifts Product Decal Positioning

****FOR ALI APPROVED
LIFTS ONLY**

D, H, G, F

**Front of Post
(Top to Bottom)**

E, C

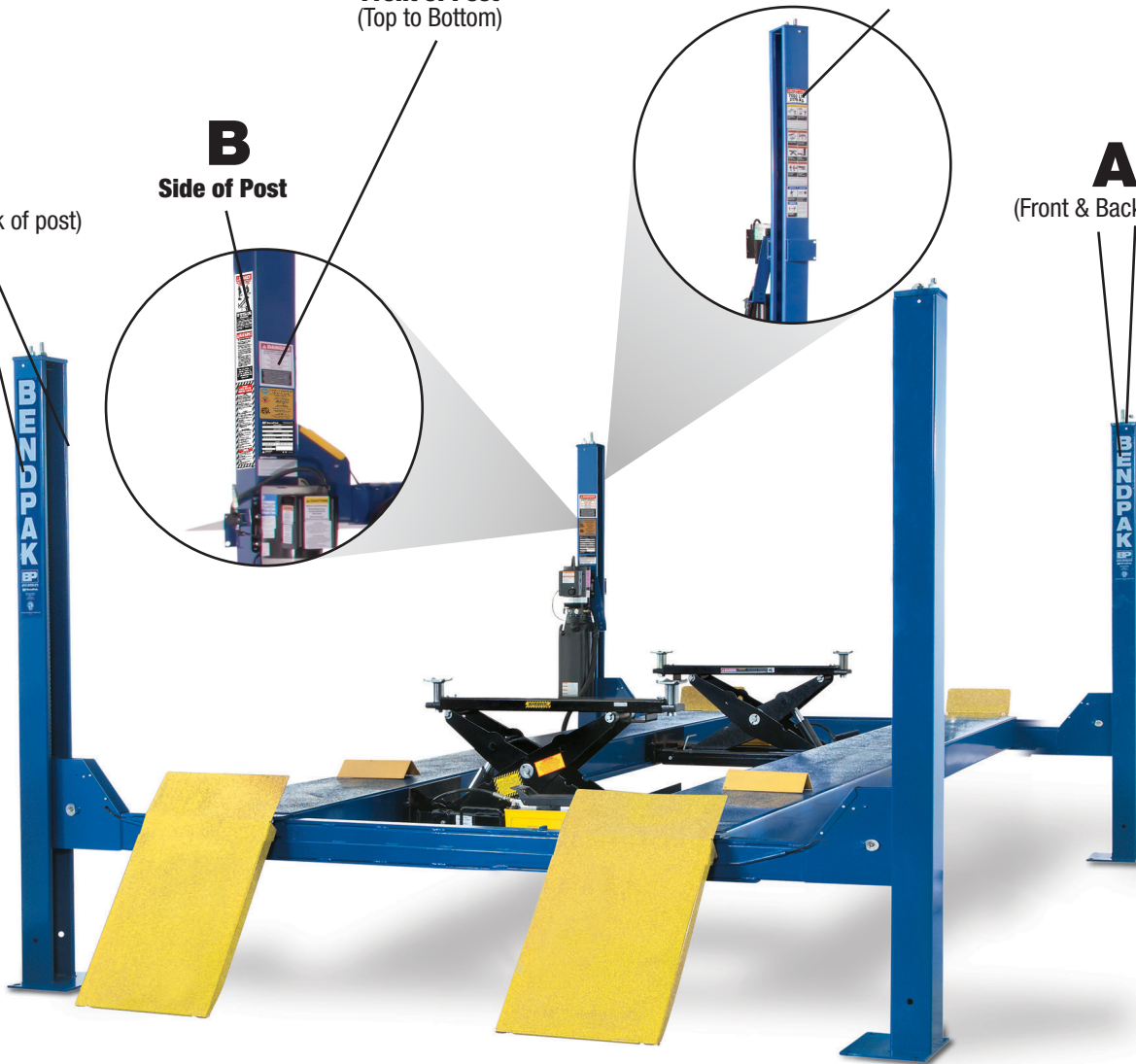
**Back of Post
(Top to Bottom)**

**Place 1.25" from top of
Power Unit bracket to
the bottom of ALI Label.**

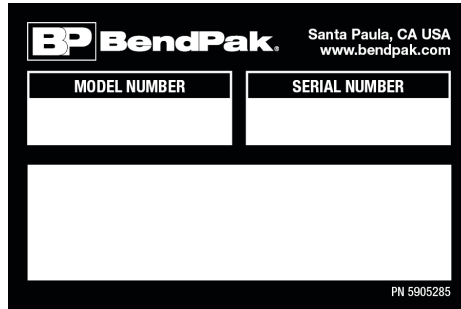
A
(Front & Back of post)

B
Side of Post

A
(Front & Back of post)



4 Post Lifts Packaging



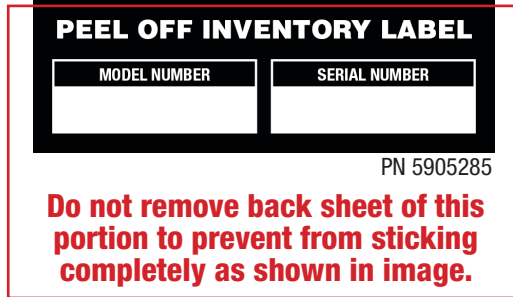
Serial_Tag_New-2015_Peel_Off-5905285.jpg:

Size: 3"W x 3"H

Material: 2 Mil. Matte Silver Polyester (Flex-PSE)

Print using thermal transfer printer with resin ribbon

Ink: 1 Color-Black



MFD. BY BENDPAK INC.

LIFT TYPE: SURFACE MOUNT	CAPACITY: MED/HVY DTY
POWER: ELECTRIC/HYDRAULIC	ANCHORS: AS EQUIPPED

INSTALLATION - SEE OWNERS GUIDE OR CONTACT FACTORY

SHIPPING DAMAGE CLAIMS
WHEN THIS EQUIPMENT IS SHIPPED, TITLE PASSES TO THE PURCHASER UPON RECEIPT FROM THE CARRIER. CONSEQUENTLY, CLAIMS FOR THE MATERIAL DAMAGED IN SHIPMENT MUST BE MADE BY THE PURCHASER AGAINST THE TRANSPORTATION COMPANY AT THE TIME SHIPMENT IS RECEIVED.

PLEASE READ ALL OPERATORS/USERS MANUAL(S) PRIOR TO INSTALLATION AND OPERATION. UNDERSTAND AND COMPREHEND THE FULL CONTENTS OF EACH MANUAL(S) PRIOR TO INSTALLATION AND OPERATION. DELIVER THE MANUAL(S) TO ALL OPERATORS. FAILURE TO OPERATE THIS EQUIPMENT AS DIRECTED MAY CAUSE INJURY OR DEATH.

IMPORTANT NOTE:
BENDPAK LIFTS ARE SUPPLIED WITH CONCRETE FASTENERS MEETING THE CRITERIA AS PRESCRIBED BY ASTM E488 - 96(2003). LIFT BUYERS ARE RESPONSIBLE FOR ANY SPECIAL REGIONAL STRUCTURAL AND/OR SEISMIC ANCHORING REQUIREMENTS SPECIFIED BY ANY OTHER AGENCIES AND/OR CODES SUCH AS THE UNIFORM BUILDING CODE (UBC) AND/OR INTERNATIONAL BUILDING CODE (IBC).

INTERNAL BAR CODE - FOR FACTORY AUDIT ONLY 34086

BPK	STYOT	P20KVR	X18576	HVY DTY/ GVR
				832

THE MANUFACTURE, USE, SALE OR IMPORT OF THIS PRODUCT MAY BE SUBJECT TO ONE OR MORE UNITED STATES PATENTS, OR PENDING APPLICATIONS, OWNED BY BENDPAK, INC.

ENGINEERED BY BENDPAK INC USA MADE IN CHINA

Manufacturer Packaging Label:

Size: 5"W x 5"H

Material: White adhesive paper

Ink: U.V. protected CMYK 2/C Process

Print Process: Offset Lithography - 200 line-screen or 300 p.p.i. for digital