

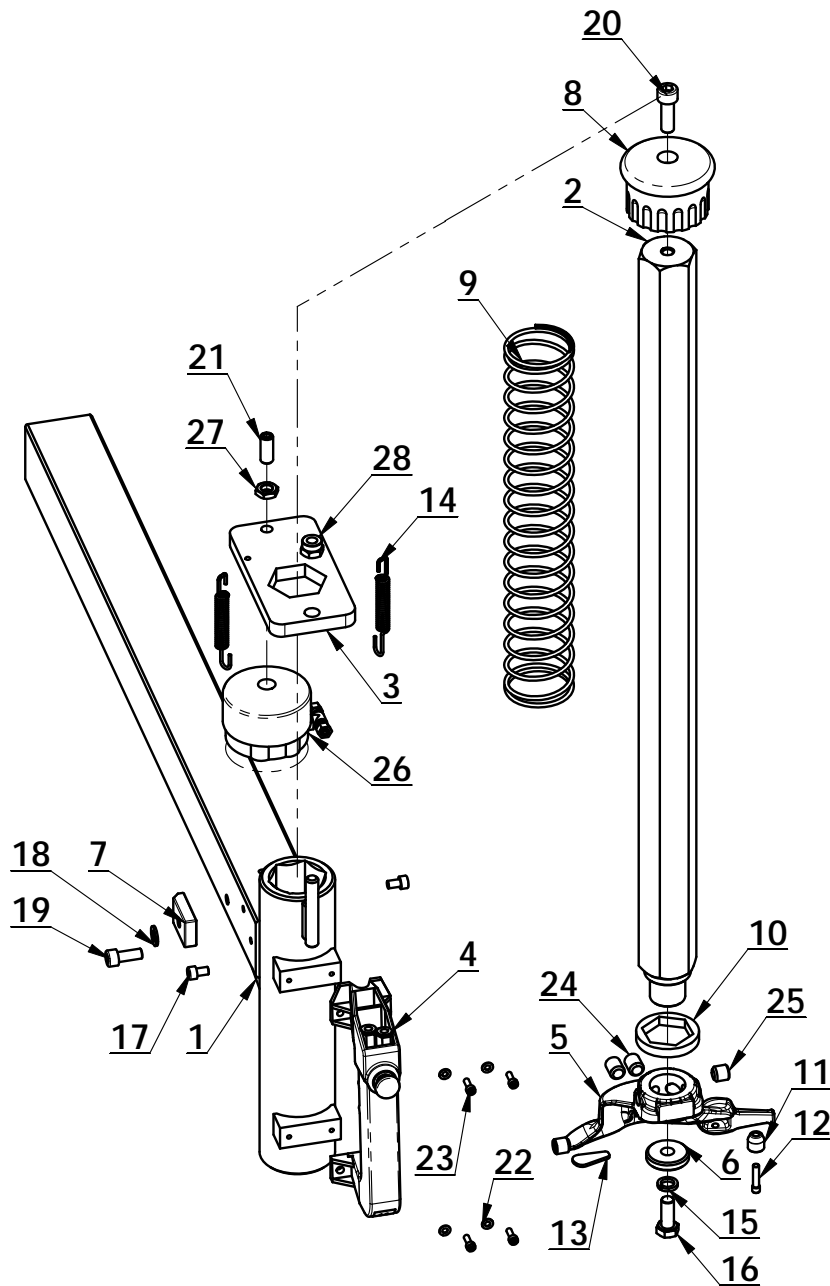
ITEM	PART. No	DESCRIPTION.	QT. Y
1	C-77-1100000	BODY	1
2	C-21-1000001	RUBBER PAD PLATE	1
3	GB70. 1-M8×70	INNER HEXA CYLINDRICAL SCREW	3
4	C-54-1000022	PLUG C	2
5	C-54-1000023	PLUG A	2
6	C-54-1000028	PLUG B	1
7	C-71-1000020	STOP-UP	2
8	C-54-1000015	STOP-UP	1
9	CT-D-4800000	PEDAL ASSEMBLY	1
10	GB95-10	FLAT WASHER	16
11	GB93-10	STANDARD SPRING WASHER	2
12	GB70. 1-M10×30	INNER HEXA CYLINDRICAL SCREW	2
13	C-71-1000004	PROTECTIVE COVER	1
14	C-71-1000005	PROTECTIVE ROD	1
15	GB93-6	STANDARD SPRING WASHER	2
16	GB41-M6	HEXANGULAR NUT	4
17	GB95-6	FLAT WASHER	17
18	GB70. 1-M6×12	INNER HEXA CYLINDRICAL SCREW	7
19	CT-J-2100000	GEARBOX ASSEMBLY	1
20	GB96. 2-10	LARGE WASHER C GRADE	13
21	GB5782-M10×200-W8. 8	HEXANGULAR BOLT	4
22	GB5782-M10×160-W8. 8	HEXANGULAR BOLT	2
23	GB41-M10	HEXANGULAR NUT	16
24	CT-Q-2000000	ROTATING UNION	1
25	CT-DJ-0211212	MOTOR (110V, 60HZ, 1.1KW, 1P)	1
26	CT-Q-6000000	CLAMP RING	1
27	GB93-8	STANDARD SPRING WASHER	7
28	GB70. 1-M8×30	INNER HEXA CYLINDRICAL SCREW	1
29	CT-DJ-0000008	BELT	1
30	GB1096-C12×8×45	COMMON FLAT KEY	1
31	CT-Y-2A00000	TURNTABLE ASSEMBLY	1
32	FPC 10-01	MALE STRAIGHT	4
33	C-54-1000029	PU SPIRAL TUBE	4
34	C-54-1000012	PRESS COVER	1
35	GB70. 1-M12×30	INNER HEXA CYLINDRICAL SCREW	1
36	CT-LS-9200000	BEAD BREAKER CYLINDER ASSEMBLY	1
37	C-54-1000010	SCREWS M14X42	2
38	GB6172. 1-M14	HEXANGULAR THIN NUT	2
39	C-54-1000013	SEALED COVER	1
40	GB861. 1-14	INNER TOOTH LOCK WAHSER	2

ITEM	PART. No	DESCRIPTION.	QT. Y
41	C-54-1000016	WESHER	1
42	C-54-1000005	RUBBER FOOT	4
43	CT-B-A000000	BEAD BREAKER	1
44	GB5782-M16×100	HEXANGULAR BOLT	1
45	GB889. 1-M16	1-TYPE PREVAILING TORQUE TYPE HEXAGON LOCK NUT	1
46	GB889. 2-M18×1. 5	NUT M18X1. 5	1
47	CT-C-2100000	BEAD BREAKER BLADE	1
48	TC-40-1200022	RUBBER COVER	1
49	C-54-1000002	WASHER	1
50	GB955-14	WAVE-FORM SPRING WASHER	1
51	GB889. 1-M14	1-TYPE PREVAILING TORQUE TYPE HEXAGON LOCK NUT	1
52	CT-XD-3000000	PULL-OUT CYLINDER D80X80	1
53	C-71-1000006	PIN SHAFT	1
54	GB894. 1-12	SHAFT ELATIC BIG RETAINING RING A-TYPE	2
55	GB41-M8	HEXANGULAR NUT	8
56	GB5782-M8×45	HEXANGULAR BOLT	2
57	C-71-1000013	WASHER Φ30xΦ10x15	2
58	GB5782-M10×50	HEXANGULAR BOLT	1
59	GB889. 1-M10	1-TYPE PREVAILING TORQUE TYPE HEXAGON LOCK NUT	2
60	C-77-1200000	COLUMN WELDING	1
61	C-71-1000010	WASHER	2
62	C-71-1000012	ROTATION SHAFT	1
63	GB5782-M16×25-W8. 8	HEXANGULAR BOLT	2
64	C-71-1000007	PULL-OUT SHAFT	1
65	GB894. 1-16	SHAFT ELATIC BIG RETAINING RING A-TYPE	2
66	C-71-1000008	CONNECTION ROD	1
67	C-71-1000028	WASHER	1
68	C-71-1000009	BOLT	2
69	TC-10-8400006	OIL CUP M6	1
70	C-71-1000024	INFLATING GUN HOOK	1
71	C-77-1000001	ROTATING SPACER	1
72	C-77-1000002	SUPPORT SHAFT	1
73	GB77-M8×16	INNER HEXA FLAT TERMINUS SET SCREW	2
74	C-77-1300000	HORIZONTAL ARM ASSEMBLY	1
75	C-77-1400000	QUADRIC LOCK PLATE WELDING	1
76	C-77-1500000	LOCKING CYLINDER ASSY	1
77	C-71-1000029	INNER HEXA FLAT TERMINUS SET SCREW	1
78	GB6173-M10×1. 0	HEXA THIN NUT	1
79	GB5781-M8×35	HEXANGULAR BOLT	1
80	GB5782-M6×30	HEXANGULAR BOLT	2

ITEM	PART. No	DESCRIPTION.	QT. Y
81	CT-F-2121200	AIR REGULATOR ASSEMBLY	1
82	CT-E-US00325	CABLE	1
83	C-77-1000009	AIR HOSE CHUTE	1
84	FPT 6-8-8	DIFFERENT DIA OF UNION TEE	1
85	C-77-1000003	CUSHION	2
86	GB70. 1-M8×20	INNER HEXA CYLINDRICAL SCREW	1
87	C-71-1000025	PROTECTIVE COVER	1
88	GB70. 1-M6×20	INNER HEXA CYLINDRICAL SCREW	10
89	C-54-1000020	T-PLUG	1
90	C-71-1000026	SIDE PANEL	1
91	GB95-5	FLAT WASHER	2
92	GB5782-M5×16-8. 8	HEXANGULAR BOLT	1
93	C-71-1000018	PRESS SPRING	2
94	GB77-M12×12	INNER HEXA FLAT TERMINUS SET SCREW	2
95	C-77-1000004	RUBBER WASHER	1
96	C-80-1000007	PROTECTION COVER	1
97	C-77-1000006	PROTECTIVE HOOD LOCK BUSHING	2
98	GB818-M6×40-H	CROSS PANHEAD SCREW	2
99	C-77-1000007	PROTECTIVE COVER	1
100	C-77-1000008	PROTECTIVE COVER	1
101	GB70. 1-M6×16	INNER HEXA CYLINDRICAL SCREW	2
102	GB70. 1-M6×10	INNER HEXA CYLINDRICAL SCREW	2
103	GB6172. 1-M8	HEXANGULAR THIN NUT	2
104	FPLF 8-02	FEMALE ELBOW	1
105	FPC 8-02	MALE STRAIGHT	1
106	C-54-1000027	JOINT SEALING GASKET	1
107	CT-K-3200000	INFLATOR COVER ASSEMBLY	1
108	CT-K-1100000	QUICK INFLATION PEDAL ASSY	1
109	GB5782-M8×20	HEXANGULAR BOLT	4
110	GB95-8	FLAT WASHER	4
111	FPY-8	Y-SHAPE INSERT FITTINGΦ8	1
112	CT-K-4100000	STORAGE TANKS ASSEMBLY	1
113	CT-K-2200000	QUICK EXHAUST VALVE ASSEMBLY	1

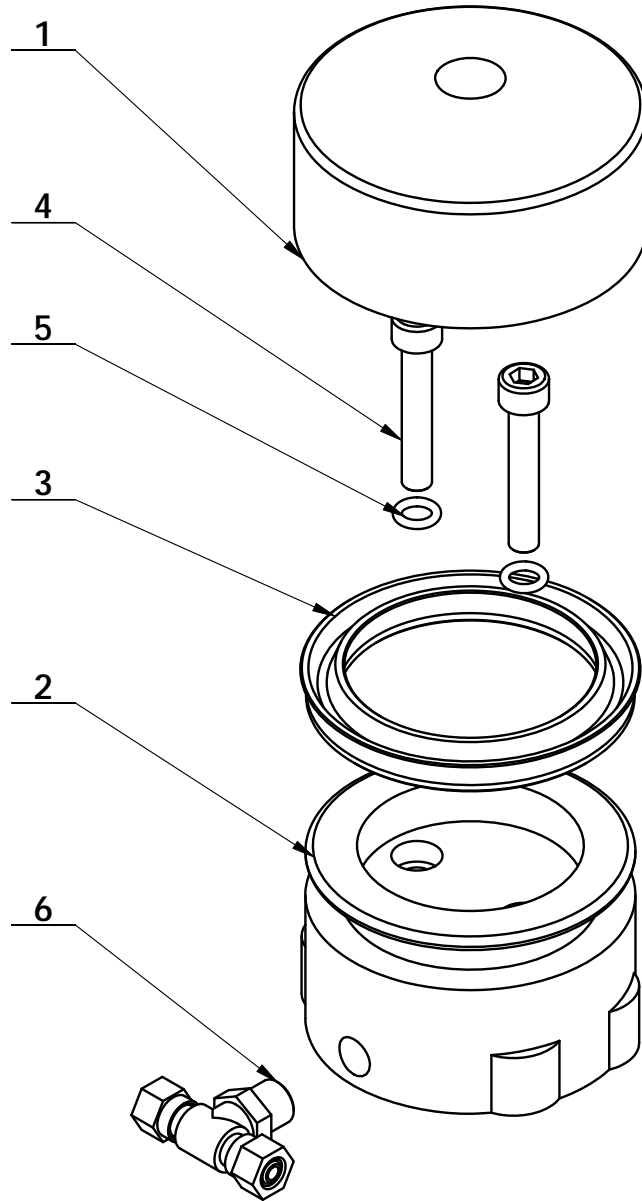
REVISION 15A-01

C-77-1300000



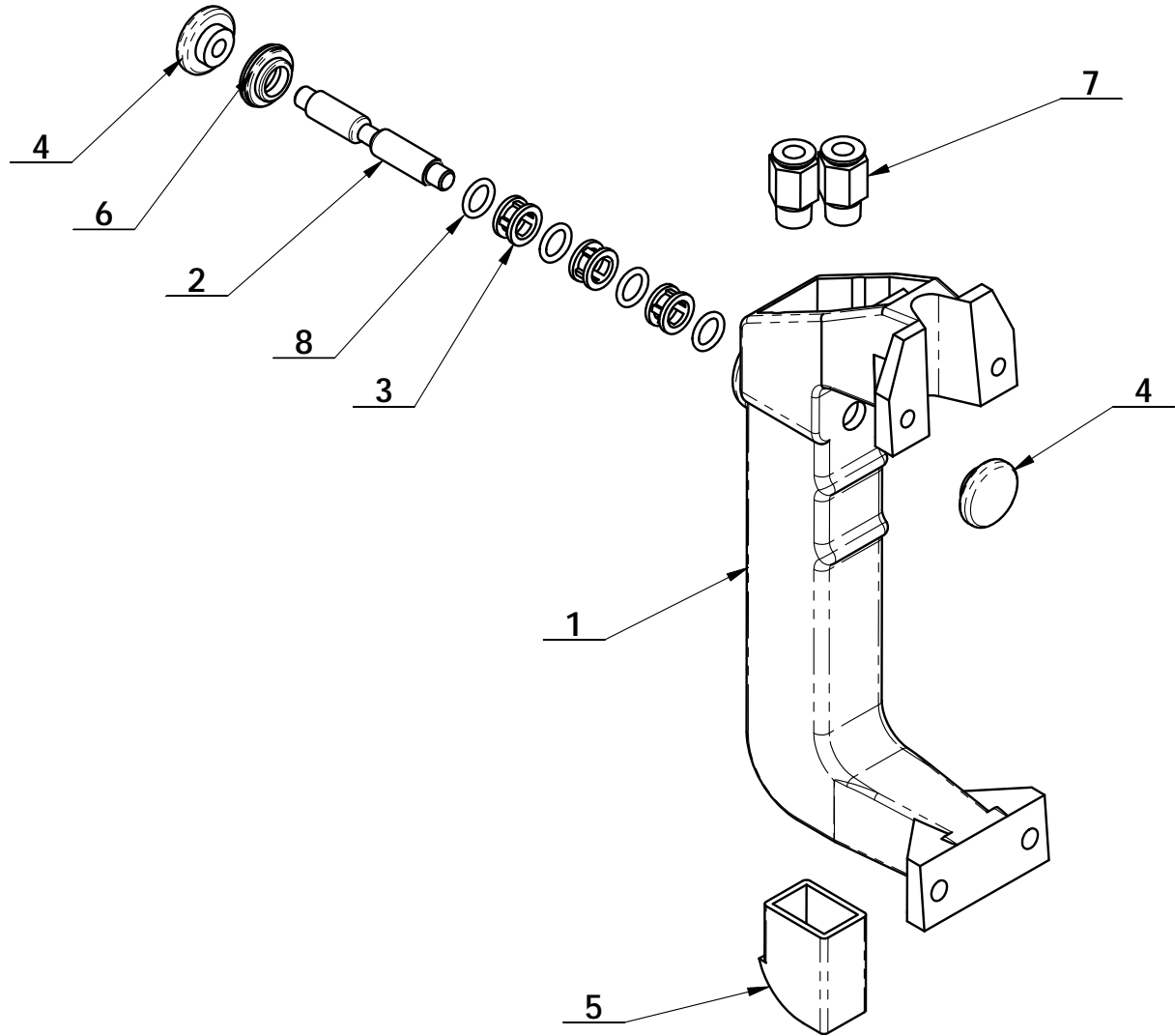
ITEM	PART. No	DESCRIPTION.	QT. Y
1	C-77-1310000	HORIZONTAL ARM WELDING	1
2	C-77-1300003	HEXANGULAR SHAFT	1
3	C-77-1300004	HEXANGULAR LOCK PLATE	1
4	C-71-1330000	HANDLE CONTROLING VALVE	1
5	C-54-1300004	DEMOUNTING HEAD	1
6	C-54-1300008	PRESS WASHER	1
7	C-71-1300005	POSITIONING BLOCK	1
8	C-54-1300003	VERTICAL SHAFT COVER	1
9	C-54-1300010	VERTICAL SHAFT SPRING	1
10	C-54-1300007	SHOCK ABSORBER WASHER	1
11	C-54-1300009	ROLLER	1
12	C-54-1300006	ROLLER BOLT	1
13	C-54-8000007	PLASTIC COVER	1
14	C-71-1300004	SPRING	2
15	GB93-10	STANDARD SPRING WASHER	1
16	GB5783-M10×25-W8.8	HEXANGULAR BOLT	1
17	GB70.1-M6×10	INNER HEXA CYLINDRICAL SCREW	2
18	GB95-8	FLAT WASHER	1
19	GB70.1-M8×20	INNER HEXA CYLINDRICAL SCREW	1
20	GB70.1-M10×30	INNER HEXA CYLINDRICAL SCREW	1
21	C-71-1000029	INNER HEXA FLAT TERMINUS SET SCREW	1
22	GB95-4	FLAT WASHER	4
23	GB70.1-M4×12	INNER HEXA CYLINDRICAL SCREW	4
24	GB77-M12×16	INNER HEXA FLAT TERMINUS SET SCREW	2
25	GB77-M12×12	INNER HEXA FLAT TERMINUS SET SCREW	2
26	C-71-1320000	LOCKING CYLINDER ASSY	1
27	GB6173-M10×1.0	HEXA THIN NUT	1
28	GB889.1-M10	1-TYPE PREVAILING TORQUE TYPE HEXAGON LOCK NUT	1

C-71-1320000



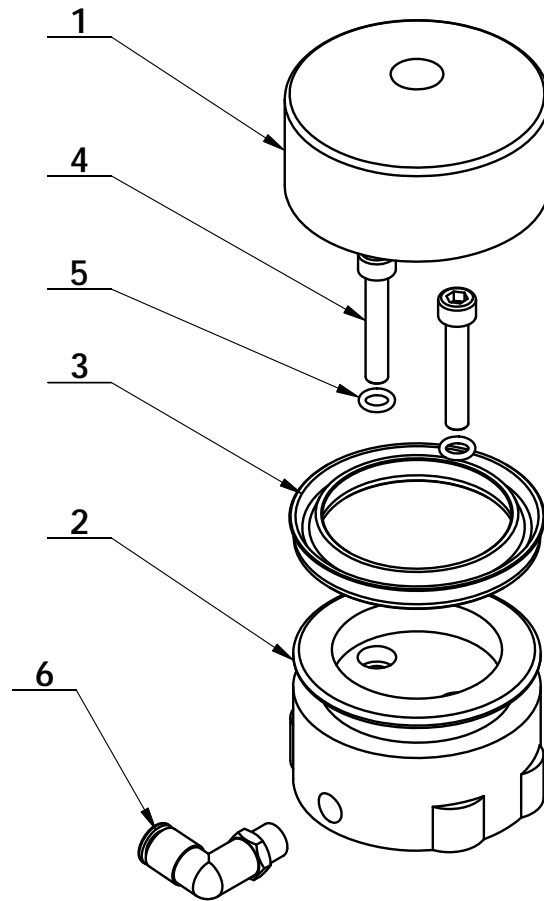
ITEM	PART. No	DESCRIPTION.	QT. Y
1	C-71-1320001	LOCK TURNTABLE CYLINDER HEAD	1
2	C-71-1320002	LOCK CYLINDER BODY	1
3	C-71-1320003	Y-RING	1
4	GB70. 1-M6×35	SCREW M6X35	2
5	GB3452. 1-6×1.8-G	HYDRAULIC-PNEUMATIC RUBBER O-RING G TYPE	2
6	PBS 6-01	MALE BRANCH TEE NUT	1

C-71-1330000

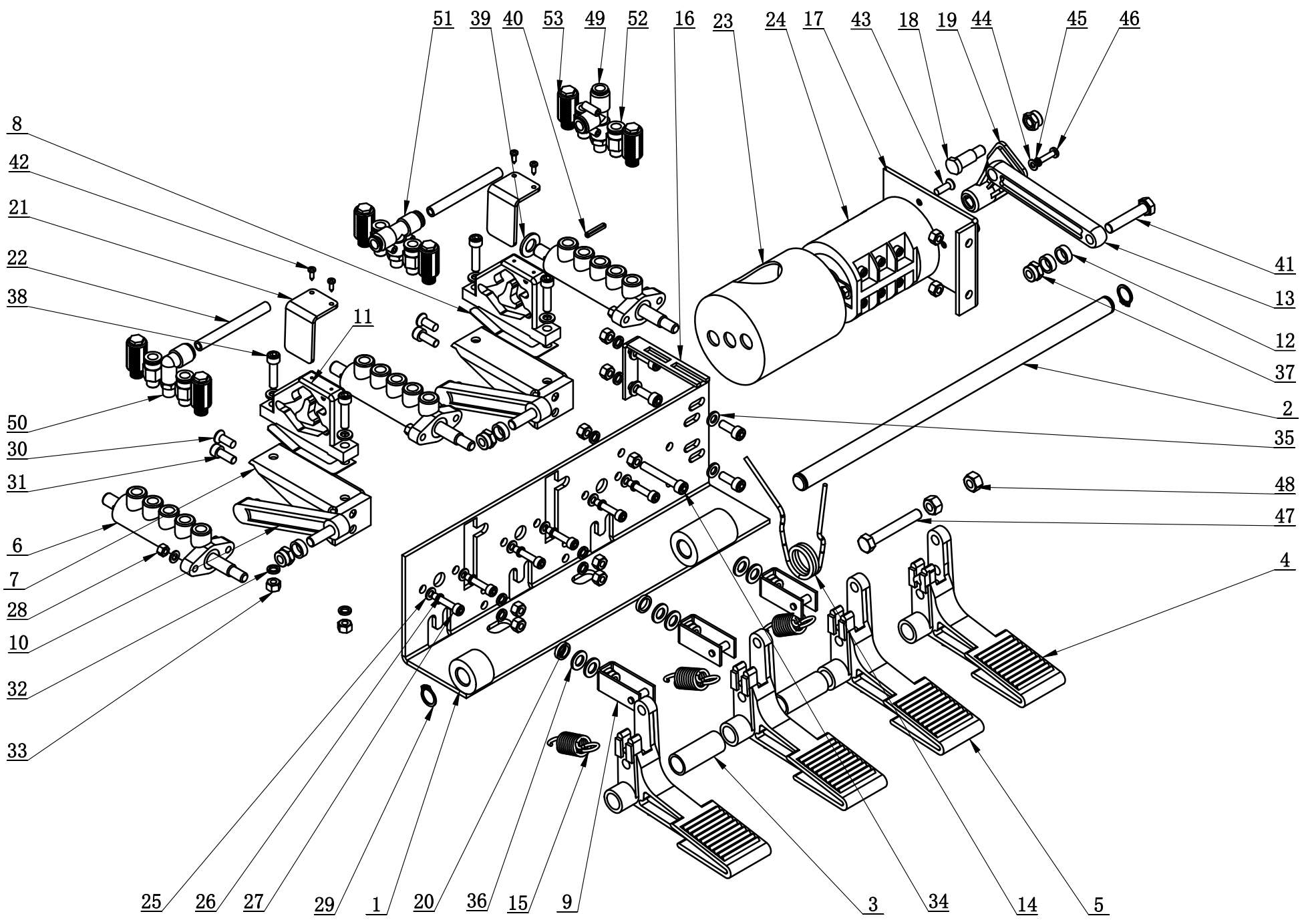


ITEM	PART. No	DESCRIPTION.	QT. Y
1	C-71-1330001	HANDLE CONTROL VALVE	1
2	C-71-1330002	VALVE ROD	1
3	C-71-1330003	VALVE SPACER	3
4	C-71-1330004	FRONT COVER	2
5	C-71-1330005	REAR COVER	1
6	C-71-1330006	FRONT SEALING COVER	1
7	FPC 6-01	MALE STRAIGHT	2
8	GB3452. 1-8×1. 8-G	HYDRAULIC-PNEUMATIC RUBBER O-RING	4

C-77-1500000

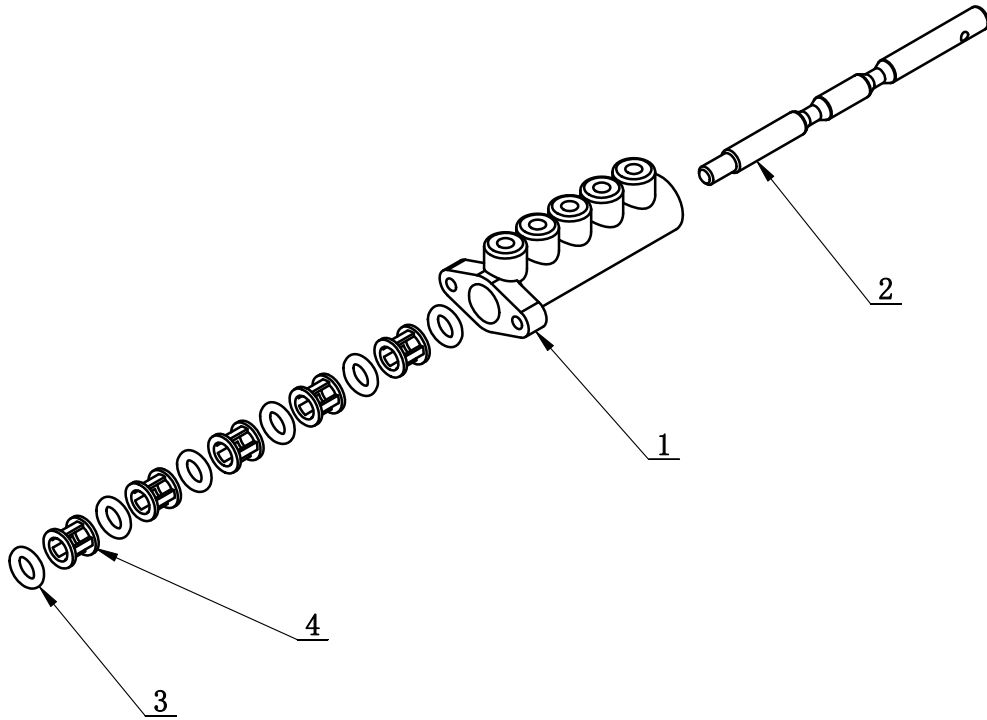


ITEM	PART. No	DESCRIPTION.	QT. Y
1	C-71-1320001	LOCK TURNTABLE CYLINDER HEAD	1
2	C-71-1320002	LOCK CYLINDER BODY	1
3	C-71-1320003	Y-RING	1
4	GB70. 1-M6×35	SCREW M6X35	2
5	GB3452. 1-6×1.8-G	HYDRAULIC-PNEUMATIC RUBBER O-RING G TYPE	2
6	FPL 6-01	MALE ELBOW	1



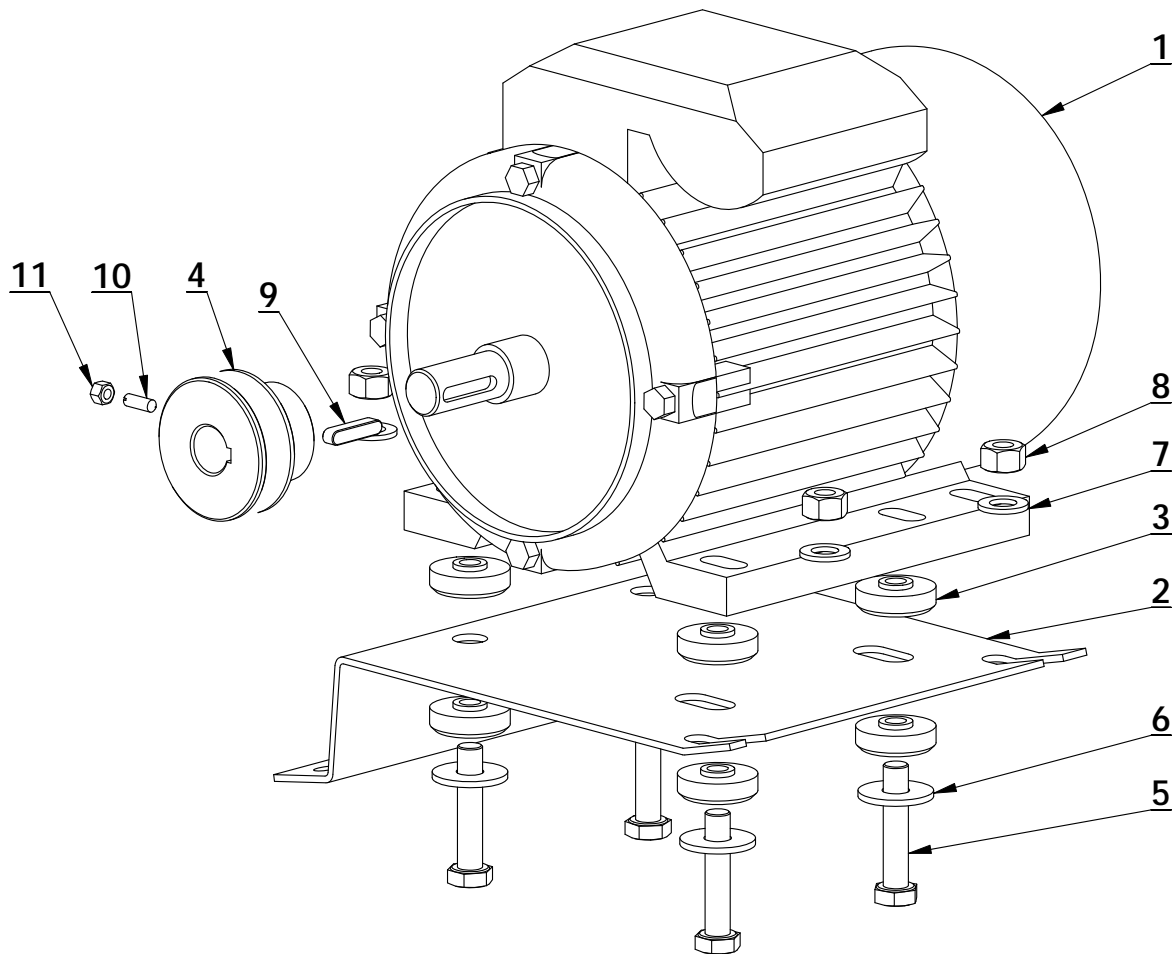
CT-D-4800000

ITEM	PART. No	DESCRIPTION.	QT. Y
1	CT-D-4110000	PEDAL SUPPORT WELDING	1
2	CT-D-4100001	BOTTOM SHAFT	1
3	CT-D-2100001	SPACER	2
4	CT-D-2100006	PEDAL	1
5	CT-D-2100007	PEDAL	3
6	CT-D-2140000	VALVE	3
7	CT-D-2120000	CAM BRACKET WELDING	2
8	CT-D-2100004	FORK SPRING PLATE	2
9	CT-D-2130000	BRACKET RIVETING	3
10	CT-D-1100008	CAM CONNECTING ROD	2
11	CT-D-1100009	CAM	2
12	CT-D-2100005	SPACER	4
13	CT-D-2100011	CONNECTION ROD	1
14	CT-D-2100002	TORSION SPRING	1
15	CT-D-2100003	SPRING	3
16	CT-D-2100010	TORSION SPRING BRACKET	1
17	CT-D-2100008	SWITCH SUPPORT	1
18	CT-D-2100012	ROTATION SHAFT	1
19	CT-D-1100010	REVERSE LEVER	1
20	CT-D-1100016	SPACER	2
21	CT-D-1100011	CAM BAFFLE PLATE	2
22	CT-D-2100013	HOSE	2
23	CT-D-1100014	SWITCH COVER	1
24	CT-D-1100018	SWITCH	1
25	GB95-5	FLAT WASHER	12
26	GB93-5	STANDARD SPRING WASHER	6
27	GB70. 1-M5×25	INNER HEXA CYLINDRICAL SCREW	6
28	GB41-M5	HEXANGULAR NUT	6
29	GB894. 1-14	SHAFT ELATIC BIG RETAINING RING A-TYPE	2
30	GB819. 1-M6×16-H	CROSS COUNTERSUNK SCREW STEEL 4.8 GRADE	2
31	GB70. 1-M6×16	INNER HEXA CYLINDRICAL SCREW	6
32	GB93-6	STANDARD SPRING WASHER	11
33	GB41-M6	HEXANGULAR NUT	14
34	GB70. 1-M6×40	INNER HEXA CYLINDRICAL SCREW	1
35	GB95-6	FLAT WASHER	8
36	GB95-8	FLAT WASHER	6
37	GB889. 1-M8	1-TYPE PREVAILING TORQUE TYPE HEXAGON LOCK NUT	7
38	GB70. 1-M6×25	INNER HEXA CYLINDRICAL SCREW	4
39	GB95-10	FLAT WASHER	1
40	GB879. 1-4×20	ELASTIC CYLINDRICAL PIN, HEAVY	1
41	GB5781-M8×40	HEXANGULAR BOLT	1
42	GB845-ST2. 9×9.5 H C	CROSS PANHEAD TAPPING SCREW	4
43	GB819. 1-M5×16-H	CROSS COUNTERSUNK SCREW STEEL 4.8 GRADE	4
44	GB95-4	FLAT WASHER	1
45	GB93-4	STANDARD SPRING WASHER	1
46	GB818-M4×16-H	CROSS PANHEAD SCREW	1
47	GB5782-M8×55	HEXANGULAR BOLT	1
48	GB41-M8	HEXANGULAR NUT	2
49	FPD 8-01	MALE RUN TEE	1
50	FPL 8-01	INSERT ELBOW Φ8, R1/8	1
51	FPB 8-01	MALE BRANCH TEE	1
52	FPC 8-01	MALE STRAIGHT	6
53	FSK 01	PLASTIC PARTICLE SILENCER	6



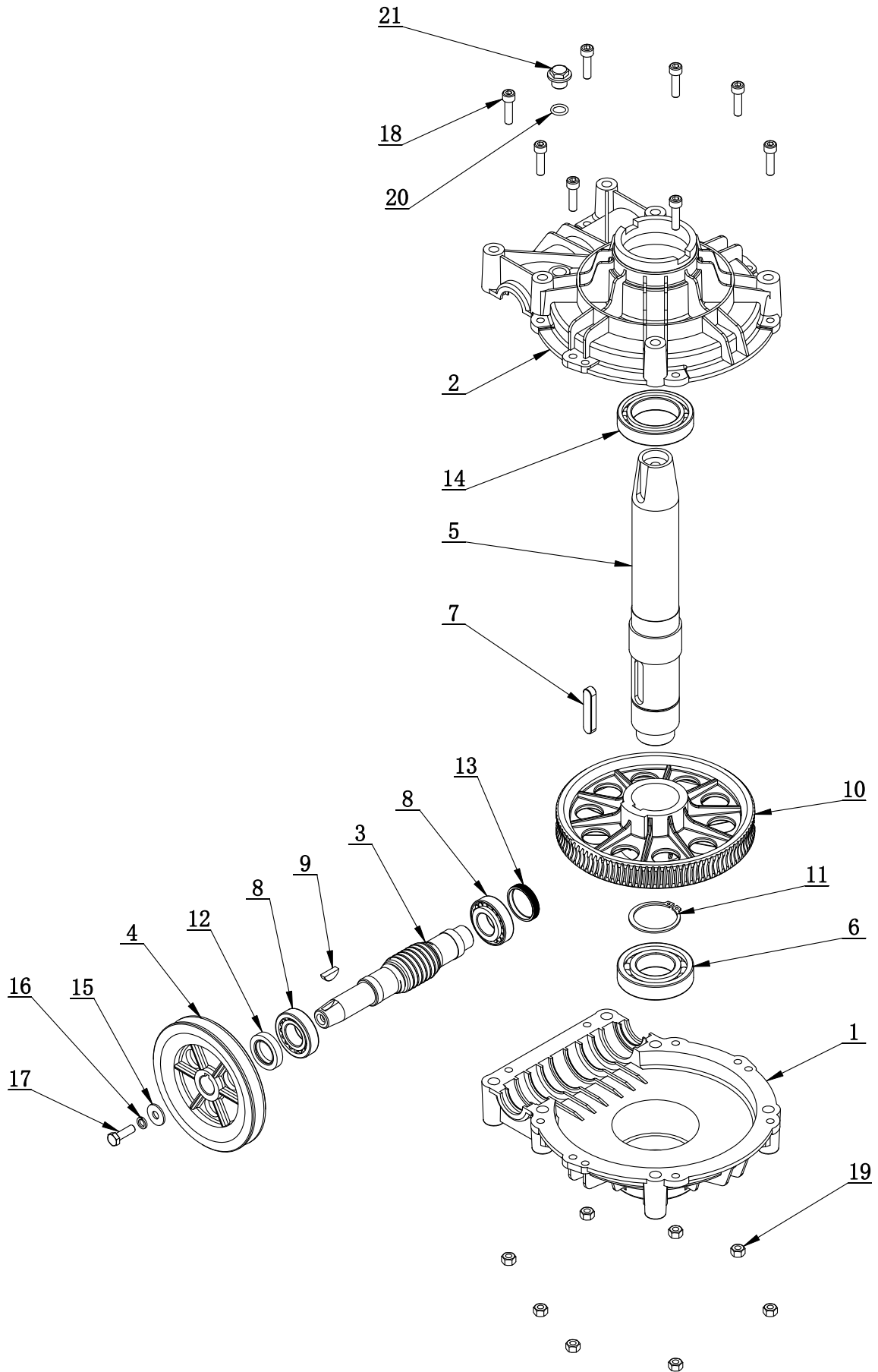
ITEM	PART. No	DESCRIPTION.	QT. Y
1	CT-D-2140002	VALVE BODY	1
2	CT-D-2140001	VALVE STEM	1
3	CT-D-1110003	O-RING	6
4	CT-D-1110004	SPACER	5

CT-DJ-0211212



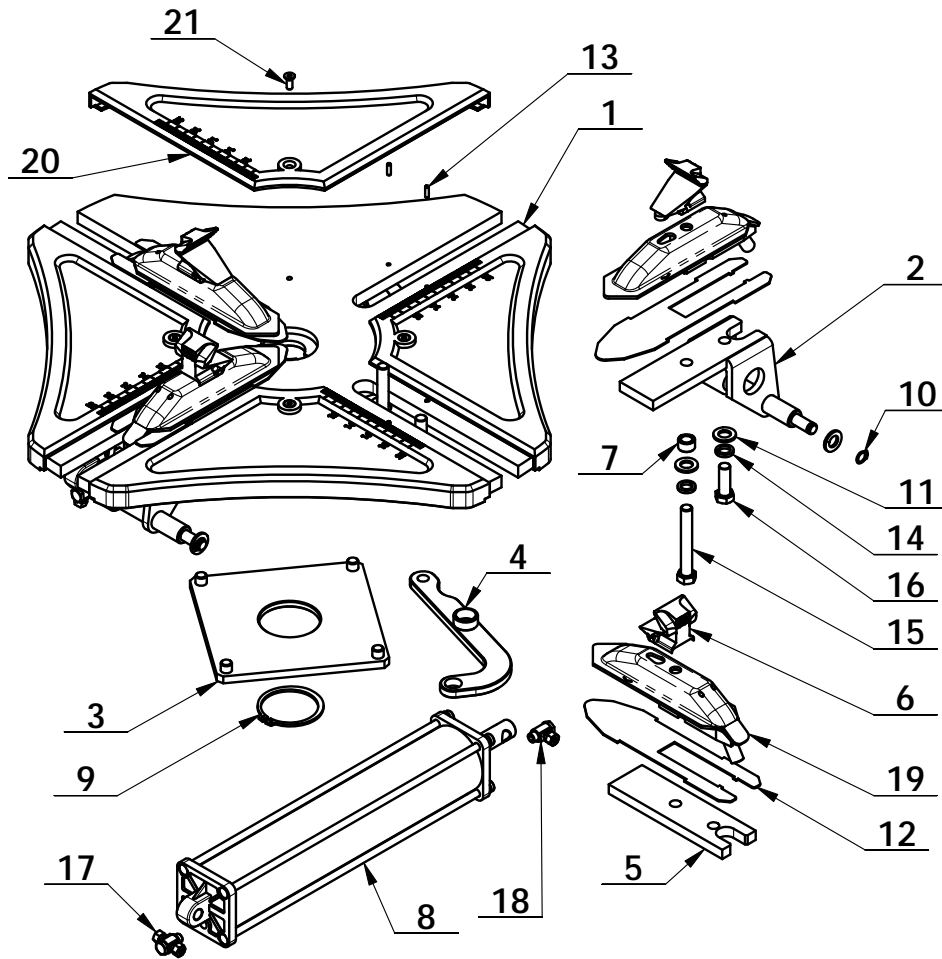
ITEM	PART. No	DESCRIPTION.	QT. Y
1	CT-DJ-0011212	MOTOR (1.1Kw110V60Hz)	1
2	CT-DJ-0000001	MOTOR SUPPORT	1
3	CT-DJ-0000002	RUBBER WASHER	8
4	CT-DJ-0000003	MOTOR BELT PULLEY	1
5	GB5781-M10×50	HEXANGULAR BOLT	4
6	GB96. 2-10	LARGE WASHER C GRADE	4
7	GB95-10	FLAT WASHER	4
8	GB41-M10	HEXANGULAR NUT	4
9	GB1096-6×6×28	COMMON FLAT KEY	1
10	GB71-M5×16	SLOTTED CONIC HEAD SET SCREW	1
11	GB41-M5	HEXANGULAR NUT	1

CT-J-2100000

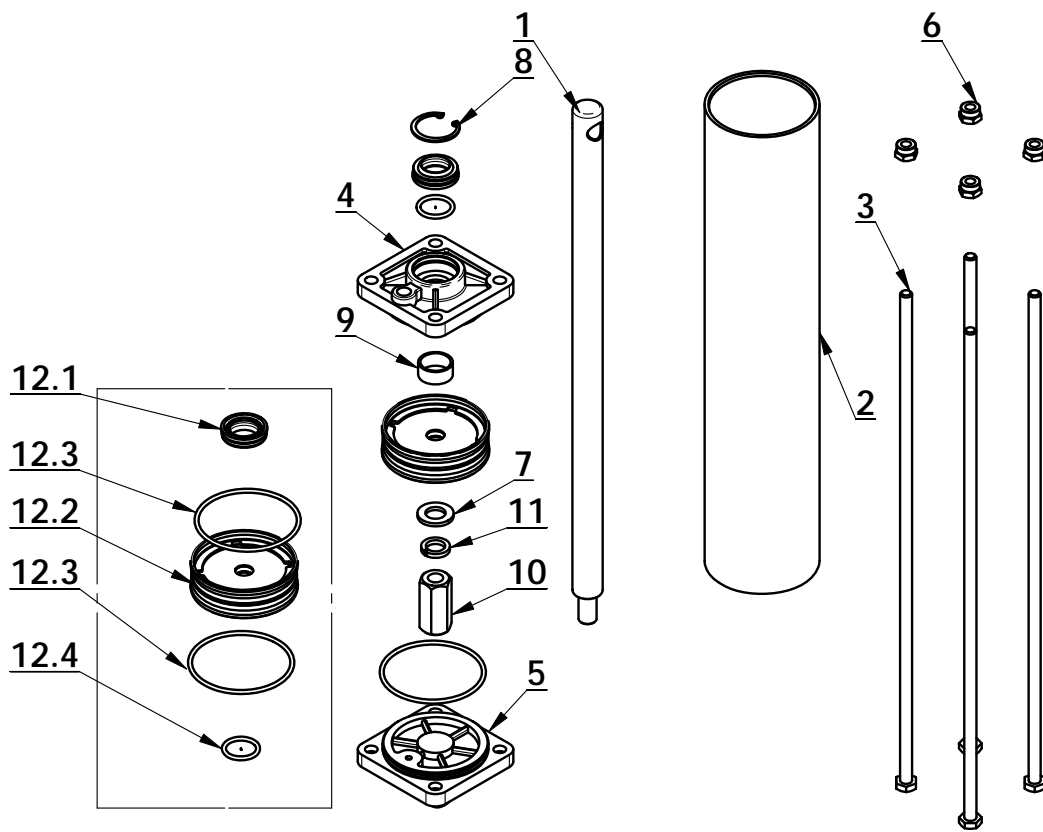


ITEM	PART. No	DESCRIPTION.	QT. Y
1	CT-J-0000005	GEARBOX	1
2	CT-J-0000006	GEARBOX TOP	1
3	CT-J-0000004	WORM ROD	1
4	CT-J-0000007	BELT PULLEY	1
5	CT-J-0000002	WORM SHAFT	1
6	GB276-6208	BEARING	1
7	GB1096-12×8×56	COMMON FLAT KEY	1
8	GB297-30205	BEARING	2
9	GB1099. 1-6×9×22	COMMON SEMI-CIRCULAR KEY	1
10	CT-J-0000003	WORM	1
11	GB894. 1-50	RETAINING RING A-TYPE	1
12	FB25-40 GB13871. 92	SEALED RING	1
13	CT-J-0100000	CAP	1
14	GB276-6010	DEEP GROOVE BALL BEARINGS	1
15	GB96. 2-8	LARGE WASHER C GRADE	1
16	GB93-8	STANDARD SPRING WASHER	1
17	GB5783-M8×25	HEXANGULAR BOLT	1
18	GB70. 1-M8×30	INNER HEXA CYLINDRICAL SCREW	8
19	GB41-M8	HEXANGULAR NUT	8
20	GB3452. 1-13. 2×2. 65-G	HYDRAULIC-PNEUMATIC RUBBER O-RING G TYPE	1
21	TC-10-1400013	BOLT	1

CT-Y-2A00000

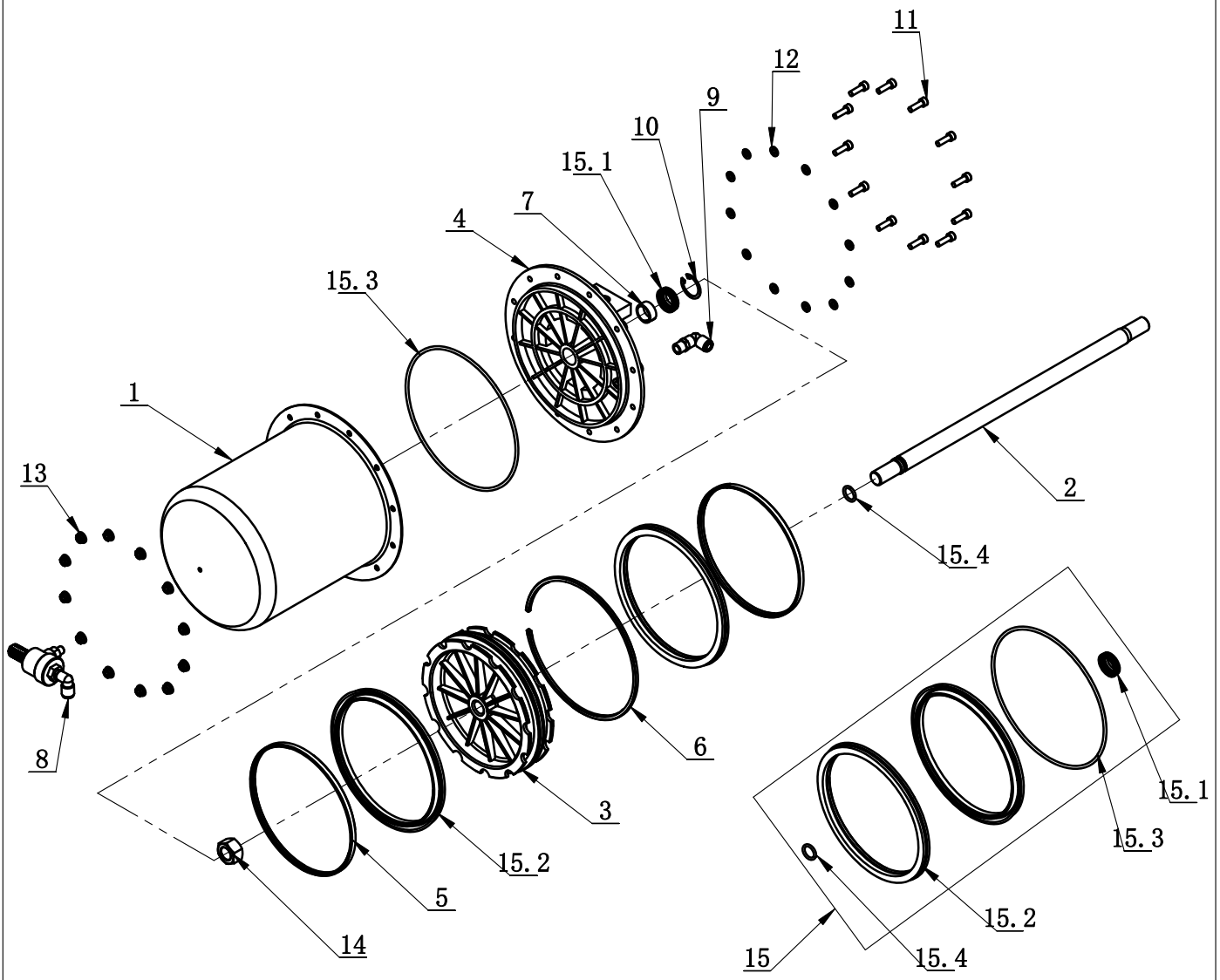


ITEM	PART. No	DESCRIPTION.	QT. Y
1	CT-Y-1A10000	TURN TALBE	1
2	CT-Y-1140000	BRACKET-CYLINDER	2
3	CT-Y-0150000	SQUARE TURNTABLE	1
4	CT-Y-1150000	CONNECTION PLATE	4
5	CT-Y-2100001	BOTTOM CHUTE PRESS PLATE	2
6	CT-Y-0100002	CLAMP	4
7	CT-Y-0100003	SPACER	4
8	CT-Y-1430000	CYLINDER ASSEMBLY	2
9	GB894. 1-65	SHAFT ELATIC BIG RETAINING RING A-TYPE	1
10	GB894. 1-12	SHAFT ELATIC BIG RETAINING RING A-TYPE	4
11	GB95-12	FLAT WASHER	12
12	CT-Y-1400001	WEAR-RESANCE SPACER	4
13	GB879. 1-4×14	ELASTIC CYLINDRICAL PIN HEAVY	8
14	GB93-12	STANDARD SPRING WASHER	8
15	GB5782-M12×85	HEXANGULAR BOLT	4
16	GB5783-M12×35	HEXANGULAR BOLT	4
17	CT-Y-0100009	HINGE ELBOW Φ6	2
18	CT-Y-0100007	HINGE ELBOW Φ6 G1/8	2
19	CT-Y-0320000	SLIDE COVER	4
20	CT-Y-1A00001	PROTECTIVE COVER	4
21	GB70. 3-M6×16	INNER COUNTER SUNK SCREW	4

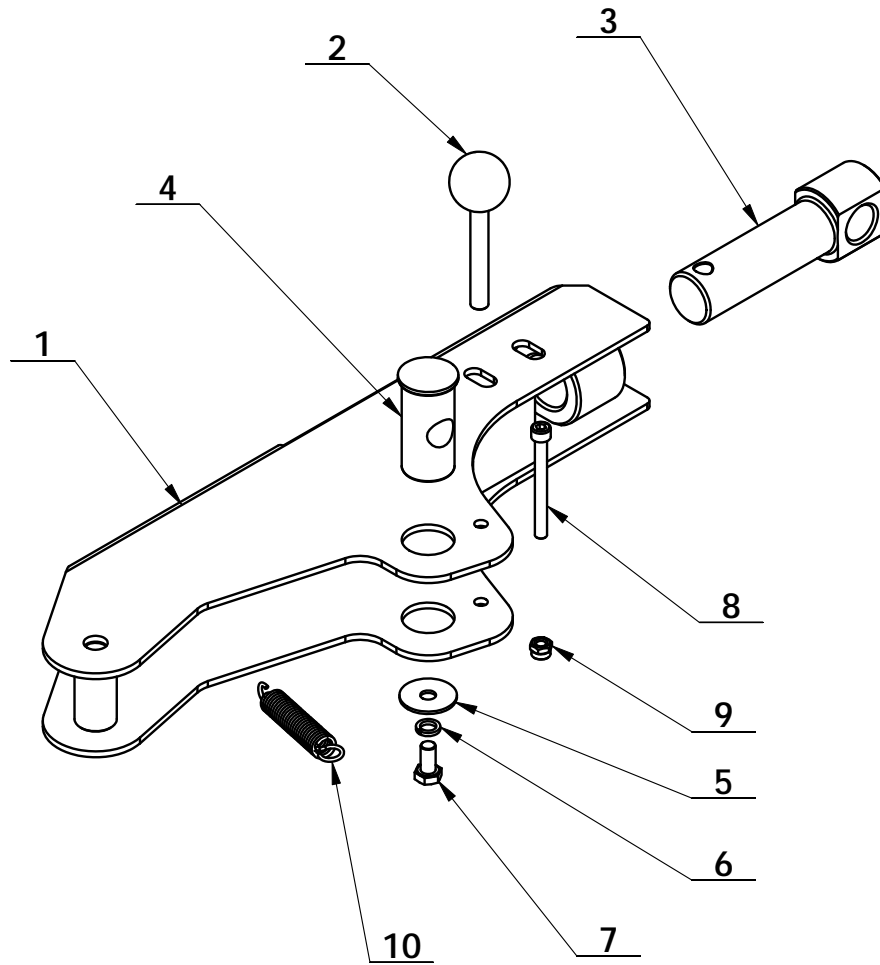


ITEM	PART. No	DESCRIPTION.	QT. Y
1	CT-Y-1120001	SHAFT-CYLNDR	1
2	CT-Y-1120002	SLEEVE-CYLNDR 70	1
3	CT-Y-1120003	BOLT	4
4	CT-Y-0160002	FRONT COVER	1
5	CT-Y-0160003	REAR COVER	1
6	GB889. 1-M8	1-TYPE PREVAILING TORQUE TYPE HEXAGON LOCK NUT	4
7	GB95-12	FLAT WASHER	1
8	GB893. 1-30	ELASTIC RETAINING RING A-TYPE	1
9	JH1 2010	BEARING-SLIDE	1
10	CT-Y-1430001	AN ELONGATED NUT	1
11	GB93-12	STANDARD SPRING WASHER	1
12	CT-Y-1121000	CYLINDER SEALING PARTS ASSEMBLY	1
12. 1	CT-Y-0160007	SEAL-ROD, CYLNDR	1
12. 2	CT-Y-0161000	PISTON-W/WSHR, ASSY	1
12. 3	GB3452. 1-65×2. 65	HYDRAULIC-PNEUMATIC RUBBER O-RING G TYPE	2
12. 4	GB3452. 1-20×2. 65	HYDRAULIC-PNEUMATIC RUBBER O-RING G TYPE	1

CT-LS-9200000



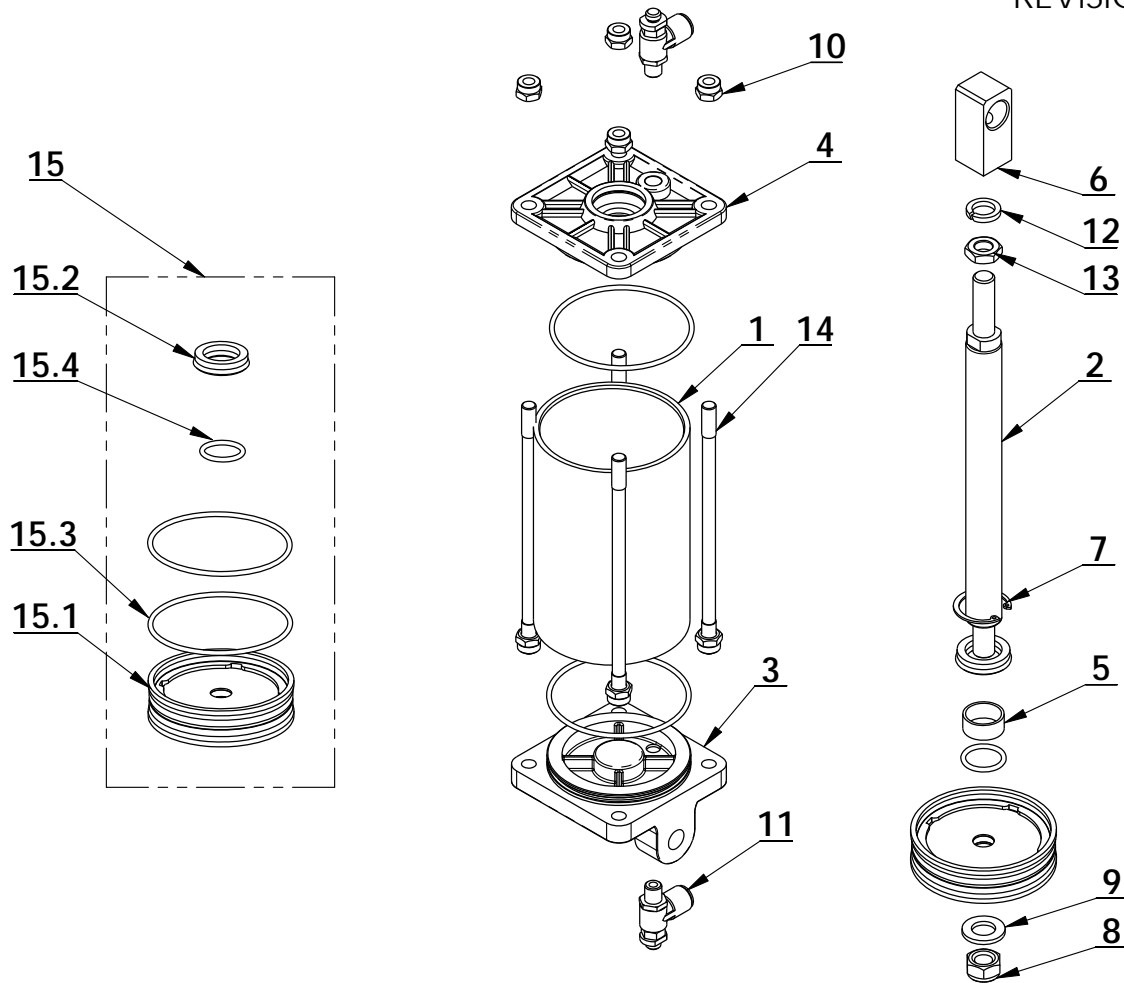
ITEM	PART. No	DESCRIPTION.	QT. Y
1	CT-LS-1100002	CYLINDER BODY	1
2	CT-LS-9100001	CYLINDER PISTON ROD	1
3	CT-LS-1100003	PISTON	1
4	CT-LS-1100004	CYLINDER COVER	1
5	CT-LS-1100006	CLAMP RING	2
6	CT-LS-1100007	PISTON SUPPORT RING	1
7	CT-LS-1100008	GUIDER SPACER	1
8	CT-LS-1320000	QUICK DEFLATE VALVE ON BODY	1
9	FPL 8-02	INSERT ELBOW $\Phi 8$, R1/4	1
10	GB893. 2-30	ELASTIC RETAINING RING B-TYPE	1
11	GB70. 1-M6 \times 20	INNER HEXA CYLINDRICAL SCREW	12
12	GB95-6	FLAT WASHER	12
13	GB6177. 1-M6	HEXA FLANGE NUT	12
14	GB6171- M18 \times 1. 5	NUT THIN TOOTH	1
15	CT-LS-1110000	CYCLINDER SEALING PARTS ASSEMBLY	1
15. 1	CT-Y-0160007	SEAL-ROD, CYLNDR	1
15. 2	CT-LS-1100009	Y-RING	2
15. 3	GB3452. 1-185 \times 3. 55-G	O-RING G TYPE	1
15. 4	GB3452. 1-15. 5 \times 2. 65-G	HYDRAULIC-PNEUMATIC RUBBER O-RING G TYPE	1



ITEM	PART. No	DESCRIPTION.	QT. Y
1	CT-B-A100000	BEAD BREAKER	1
2	CT-B-A200000	PIN SHAFT	1
3	CT-B-A000001	TURN ROD	1
4	CT-B-A000002	CONNECT ROD	1
5	CT-B-6000003	PAD	1
6	GB93-10	STANDARD SPRING WASHER	1
7	GB5781-M10×20	HEXANGULAR BOLT	1
8	GB70. 1-M8×80	INNER HEXA CYLINDRICAL SCREW	1
9	GB889. 1-M8	1-TYPE PREVAILING TORQUE TYPE HEXAGON LOCK NUT	1
10	CT-B-2000002	SPRING	1

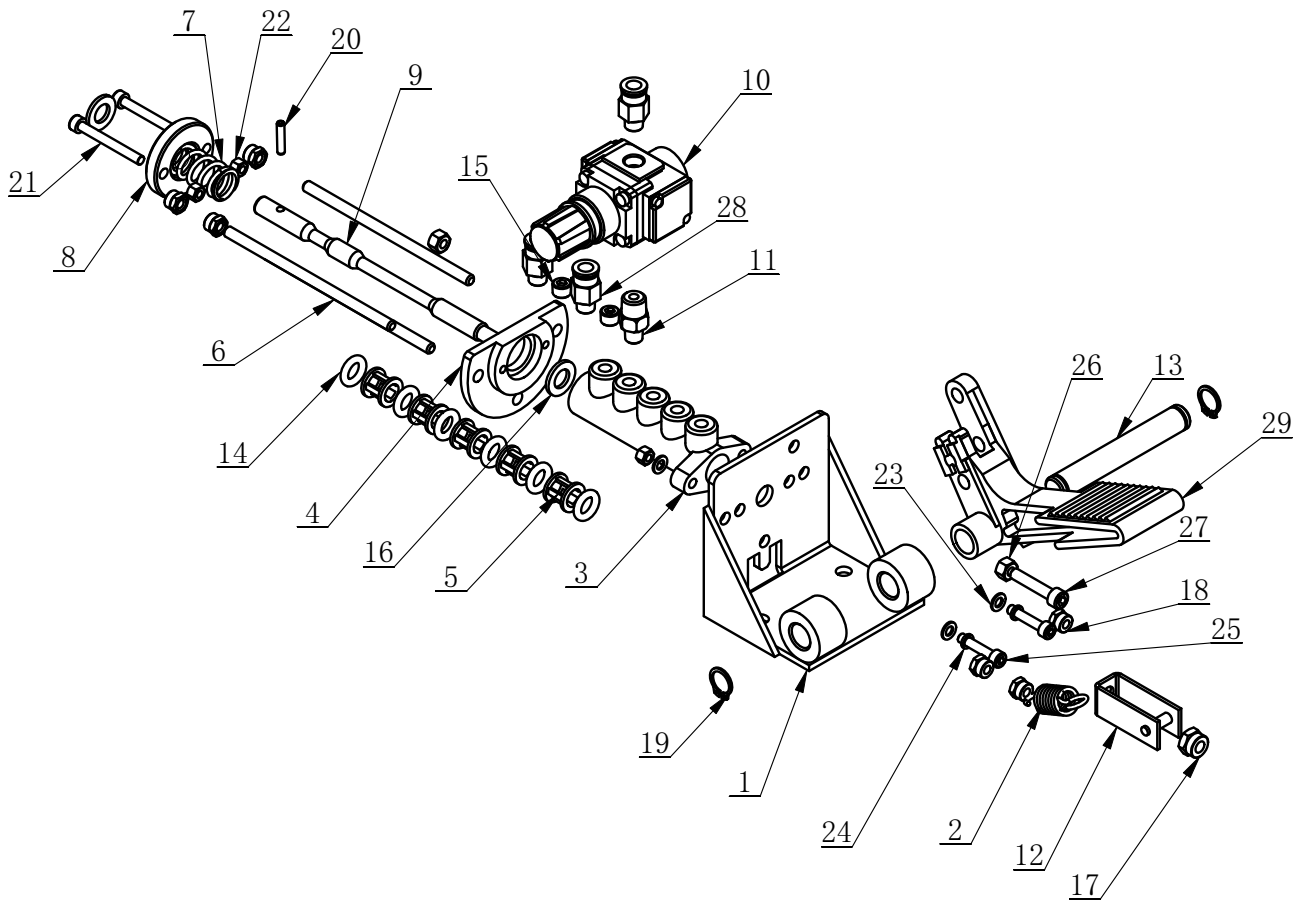
CT-XD-3000000

REVISION 13A-01

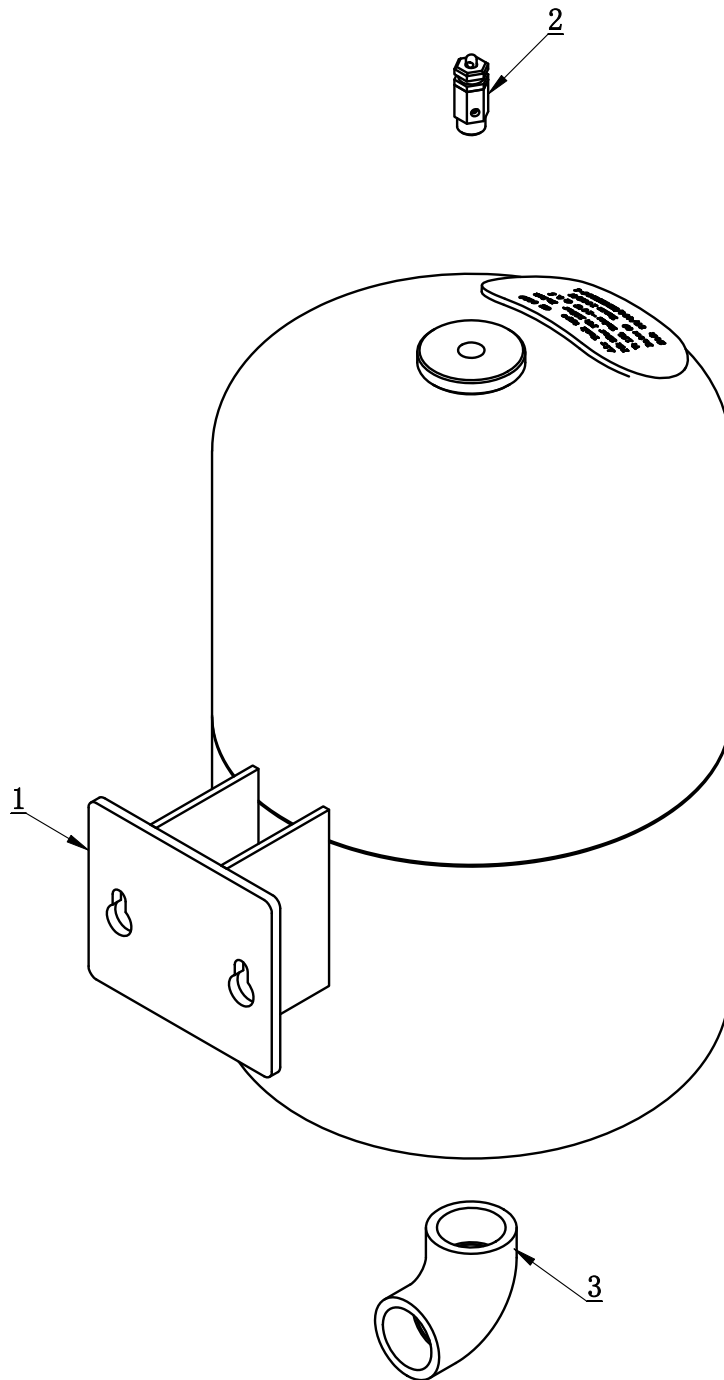


ITEM	PART. No	DESCRIPTION.	QT. Y
1	CT-XD-1000001	CYLINDER BODY	1
2	CT-XD-2000002	PISTON ROD	1
3	CT-XD-1000005	CYLINDER REAR COVER	1
4	CT-Y-4120004	CYLINDER FRONT COVER	1
5	JH1 2010	BEARING-SLIDE	1
6	CT-XD-1000004	SHAFT CONNECTOR	1
7	GB893. 1-30	ELASTIC RETAINING RING A-TYPE	1
8	GB889. 1-M12	1-TYPE PREVAILING TORQUE TYPE HEXAGON LOCK NUT	1
9	GB95-12	FLAT WASHER	1
10	GB889. 1-M8	1-TYPE PREVAILING TORQUE TYPE HEXAGON LOCK NUT	8
11	FJSC 8-01	ELBOW SPEED CONTROLLER	2
12	GB93-12	STANDARD SPRING WASHER	1
13	GB/T6172. 1-M12	HEXANGULAR THIN NUT	1
14	CT-XD-1000003	BAR	4
15	CT-XD-2100000	CYLINDER SEALING PARTS ASSEMBLY	1
15.1	CT-Y-4120006	PISTON	1
15.2	CT-Y-0160007	SEAL-ROD, CYLINDER	1
15.3	GB3452. 1-75×2.65	HYDRAULIC-PNEUMATIC RUBBER O-RING G TYPE	2
15.4	GB3452. 1-20×2.65	HYDRAULIC-PNEUMATIC RUBBER O-RING G TYPE	1

CT-K-1100000 QUICK INFLATION PEDAL ASSY

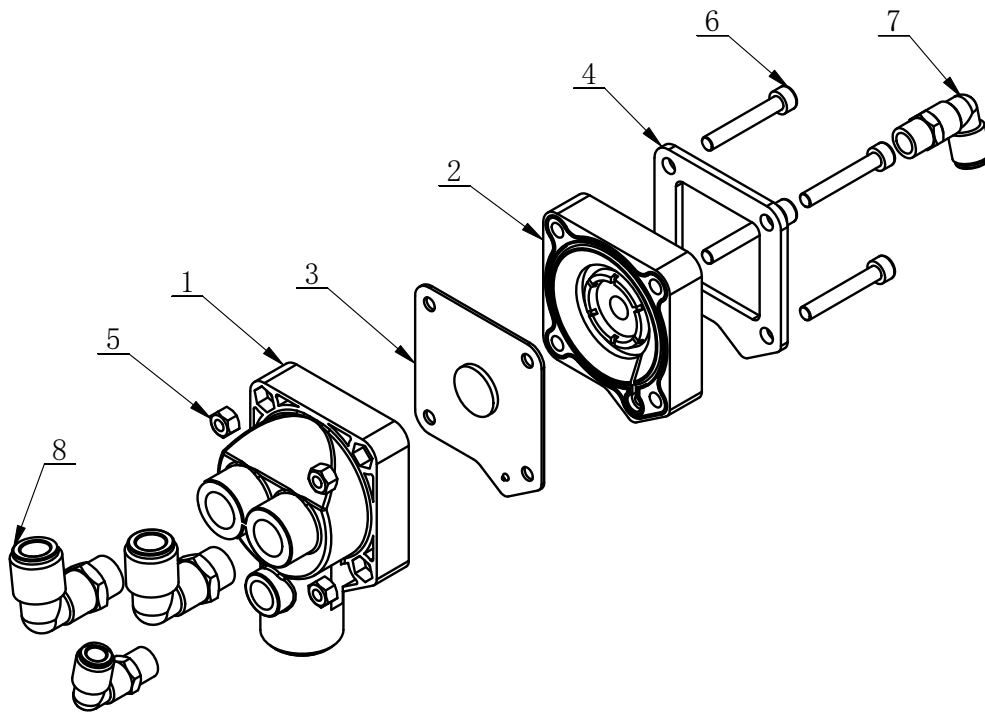


ITEM	PART. No	DESCRIPTION.	QT. Y
1	CT-K-1110000	BRACKET	1
2	CT-D-2100003	SPRING	1
3	CT-D-2140002	VALVE BODY	1
4	CT-K-1100004	FIXTURE PLATE	1
5	CT-D-1110004	SPACER	5
6	CT-K-1100005	BOLT	3
7	CT-K-1100003	SPRING	1
8	CT-K-1100002	MOVABLE PLATE	1
9	CT-K-1100001	VALVE ROD	1
10	AR20-01	PRESSURE REDUCING VALVE	1
11	CT-K-1100007	FITTING	1
12	CT-D-2130000	BRACKET RIVETING	1
13	CT-K-1100006	SHAFT	1
14	CT-D-1110003	O-RING	6
15	JB/ZQ4447-1997-G1/8"X10	SCREWS PLUG R1/8"x10	2
16	GB95-10	FLAT WASHER	2
17	GB889.1-M8	1-TYPE PREVAILING TORQUE TYPE HEXAGON LOCK NUT	1
18	GB889.1-M6	1-TYPE PREVAILING TORQUE TYPE HEXAGON LOCK NUT	6
19	GB894.1-14	SHAFT ELATIC BIG RETAINING RING A-TYPE	2
20	GB879.1-4 × 20	ELASTIC CYLINDRICAL PIN, HEAVY	1
21	GB70.1-M5 × 45	INNER HEXA CYLINDRICAL SCREW	2
22	GB41-M5	HEXANGULAR NUT	4
23	GB95-5	FLAT WASHER	4
24	GB93-5	STANDARD SPRING WASHER	2
25	GB70.1-M5 × 25	INNER HEXA CYLINDRICAL SCREW	2
26	GB41-M6	HEXANGULAR NUT	2
27	GB70.1-M6 × 30	INNER HEXA CYLINDRICAL SCREW	1
28	FPC 8-01	MALE STRAIGHT	3
29	CT-D-2100006	PEDAL	1



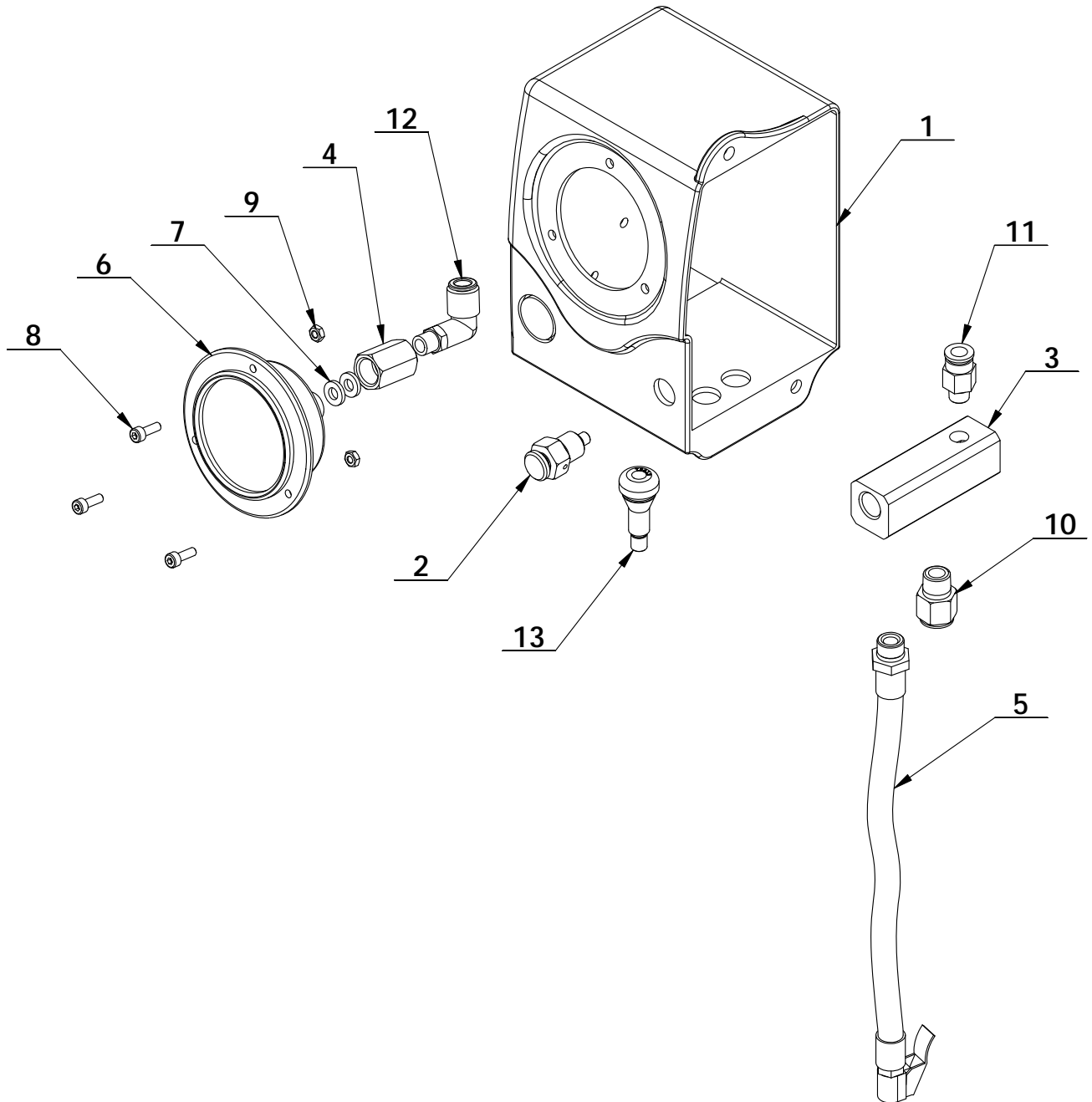
ITEM	PART. No	DESCRIPTION.	QT. Y
1	CT-K-4110000	STORAGE TANKS ASSEMBLY	1
2	CT-K-4100001	SAFE VALVE	1
3	CT-K-4100002	ELBOW_90, GI"	1

QUICK EXHAUST VALVE ASSEMBLY CT-K-2200000

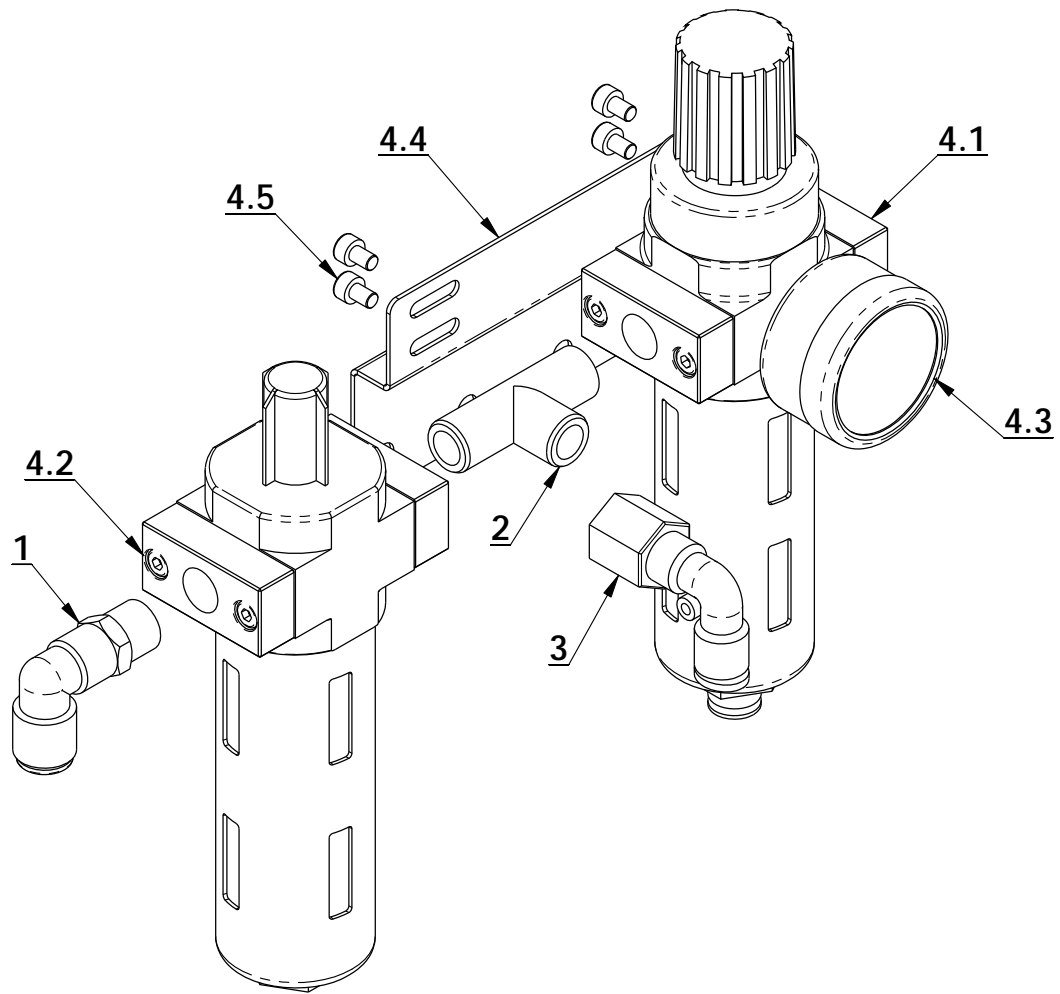


ITEM	PART. No	DESCRIPTION.	QT. Y
1	CT-K-2200002	BOTTOM COVER	1
2	CT-K-2200001	UPPER COVER	1
3	CT-K-2210000	PANEL	1
4	CT-K-2200003	WASHER	1
5	GB41-M6	HEXANGULAR NUT	4
6	GB70. 1-M6×40	INNER HEXA CYLINDRICAL SCREW	4
7	FPL 8-02	INSERT ELBOW Φ8, R1/4	2
8	FPL 12-03	INSERT ELBOW Φ12 R3/8"	2

CT-K-3200000

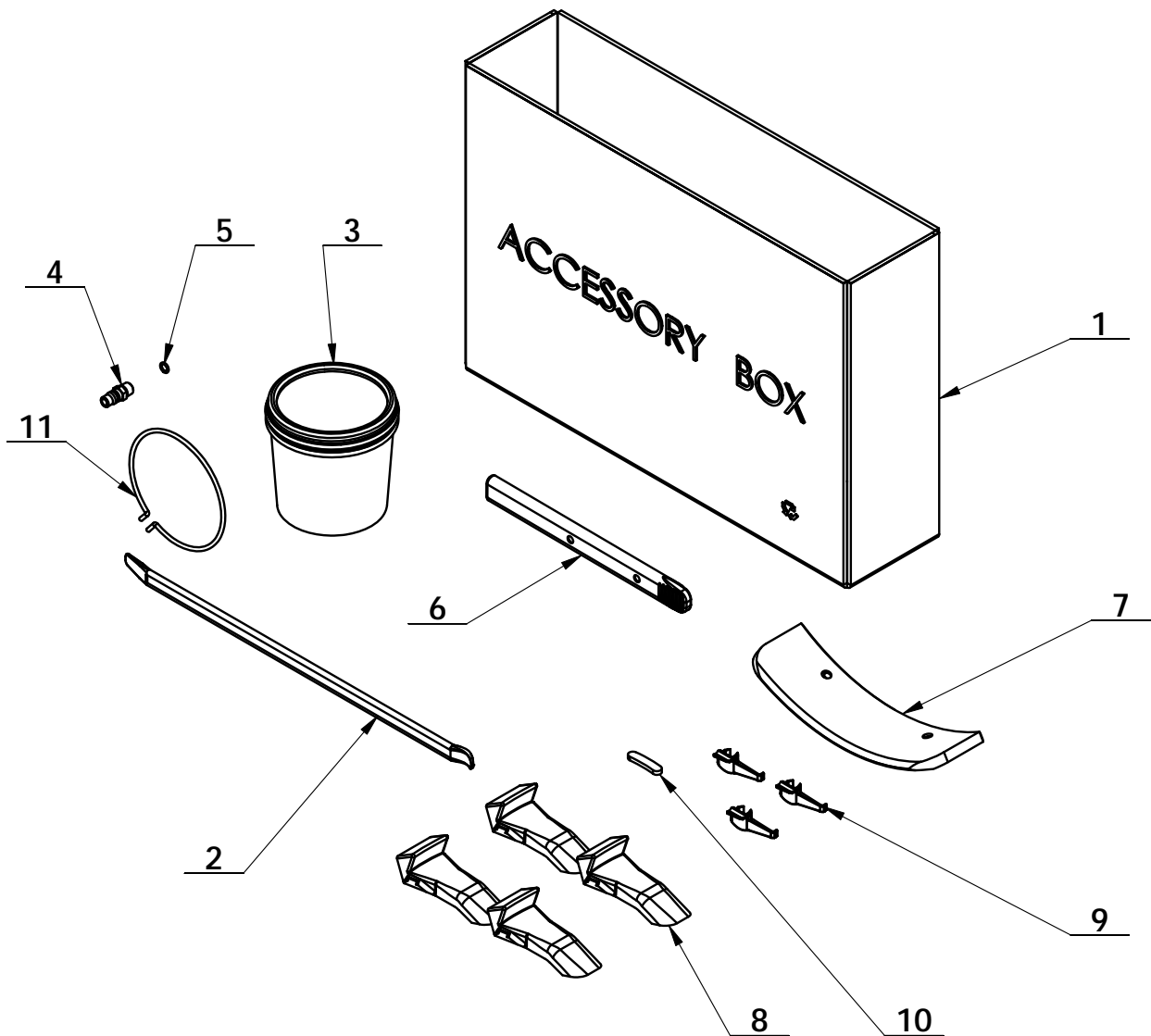


ITEM	PART. No	DESCRIPTION.	QT. Y
1	CT-K-3100001	PRESSURE GAUGE COVER	1
2	CT-K-3110000	EXHAUST VALVE ASSEMBLY	1
3	CT-K-3120000	AIR DISTRIBUTING VALVE	1
4	CT-K-3100002	CONNECT NUT	1
5	CT-K-3100003	INFLATING HOSE	1
6	CT-K-3100004	PRESSURE GAUGE	1
7	TC-10-1620003	AIR REGULATOR WASHER	2
8	GB70.1-M4×12	INNER HEXA CYLINDRICAL SCREW	3
9	GB6170-M4	HEXANGULAR NUT 1-TYPE	3
10	FPC 8-02	MALE STRAIGHT	1
11	FPC 8-01	MALE STRAIGHT	1
12	FPL 8-01	INSERT ELBOW Φ8, R1/8	1
13	CT-K-3100006	AIR VALVE	1



ITEM	PART. No	DESCRIPTION.	QT. Y
1	FPL 8-02	INSERT ELBOW $\Phi 8$, R1/4	1
2	PEH 02-02	FAMALE UNION TEE	1
3	FPLF8-02	INSERT ELBOW $\Phi 8$, R1/4	1
4	CT-F-2000100	AIR REGULATOR	1
4.1	CT-F-2000010	PRESSURE ADJUST VALVE AND WATER CUP	1
4.2	CT-F-2000020	OIL CUP	1
4.3	CT-F-2000003	PRESSURE GAUGE	1
4.4	CT-F-2000040	AIR REGULATOR BRACKET	1
4.5	GB/T70.1- M4x6	INNER HEXA CYLINDRICAL SCREW	4

C-54-8000000



ITEM	PART. No	DESCRIPTION.	QT. Y
1	C-54-8000002	ACCESSORY BOX	1
2	C-54-8000003	20INCH CROWBAR	1
3	C-54-8100000	GREASE CONTAINER	1
4	C-54-8000011	AIR SUPPLY CONNECTOR	1
5	GB3452.1-8×2.65	HYDRAULIC-PNEUMATIC RUBBER O-RING G TYPE	1
6	C-54-8000019	CROWBAR JACKET	1
7	C-90-1000013	BEAD BREAKER BLADE COVER	1
8	C-54-8000005	CLAMP PROTECTION COVER	4
9	C-54-1300014	SHEATH	3
10	C-54-8000007	TOOL HEAD TAIL WASHER	1
11	C-54-8000004	BRACKET	1