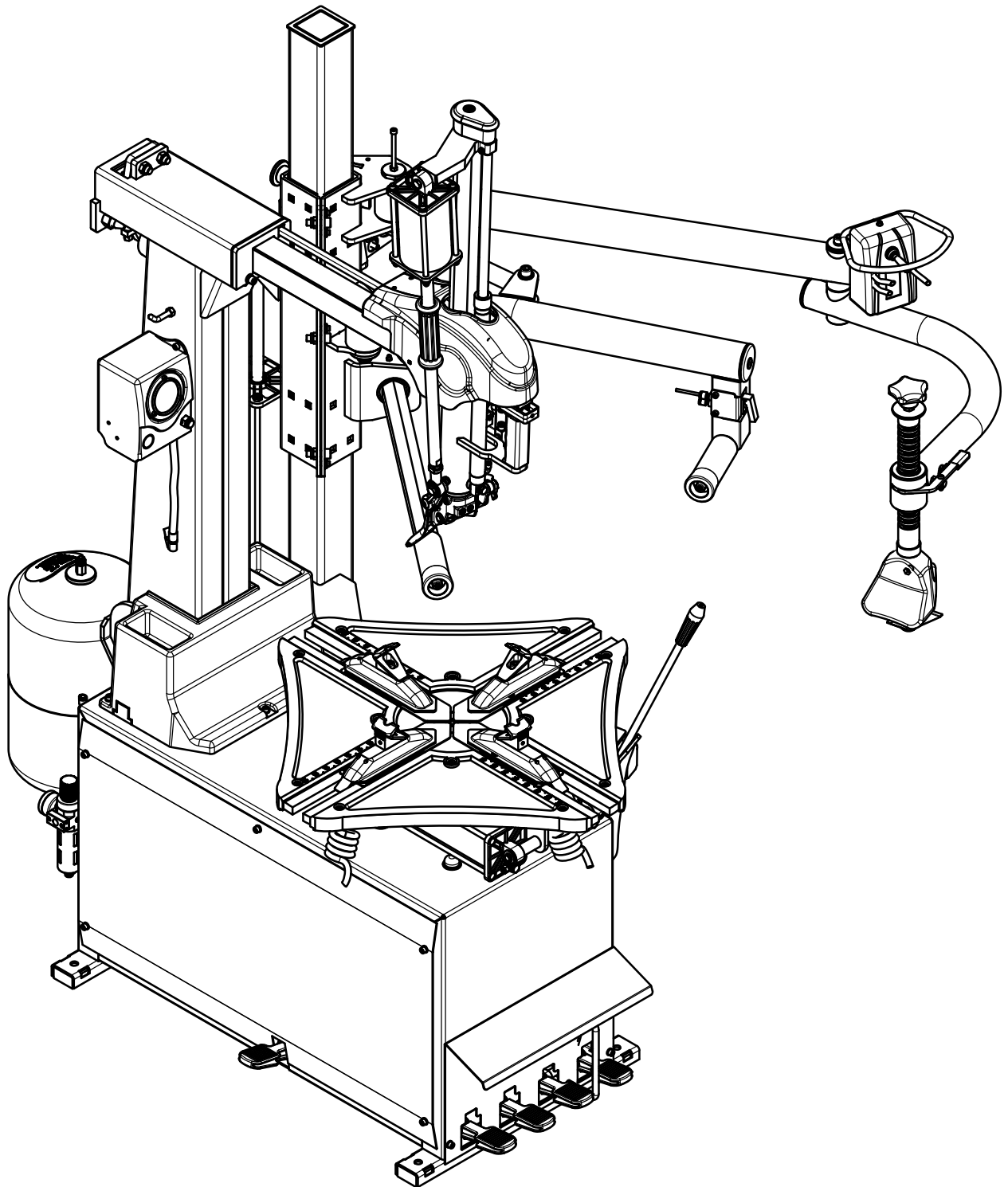
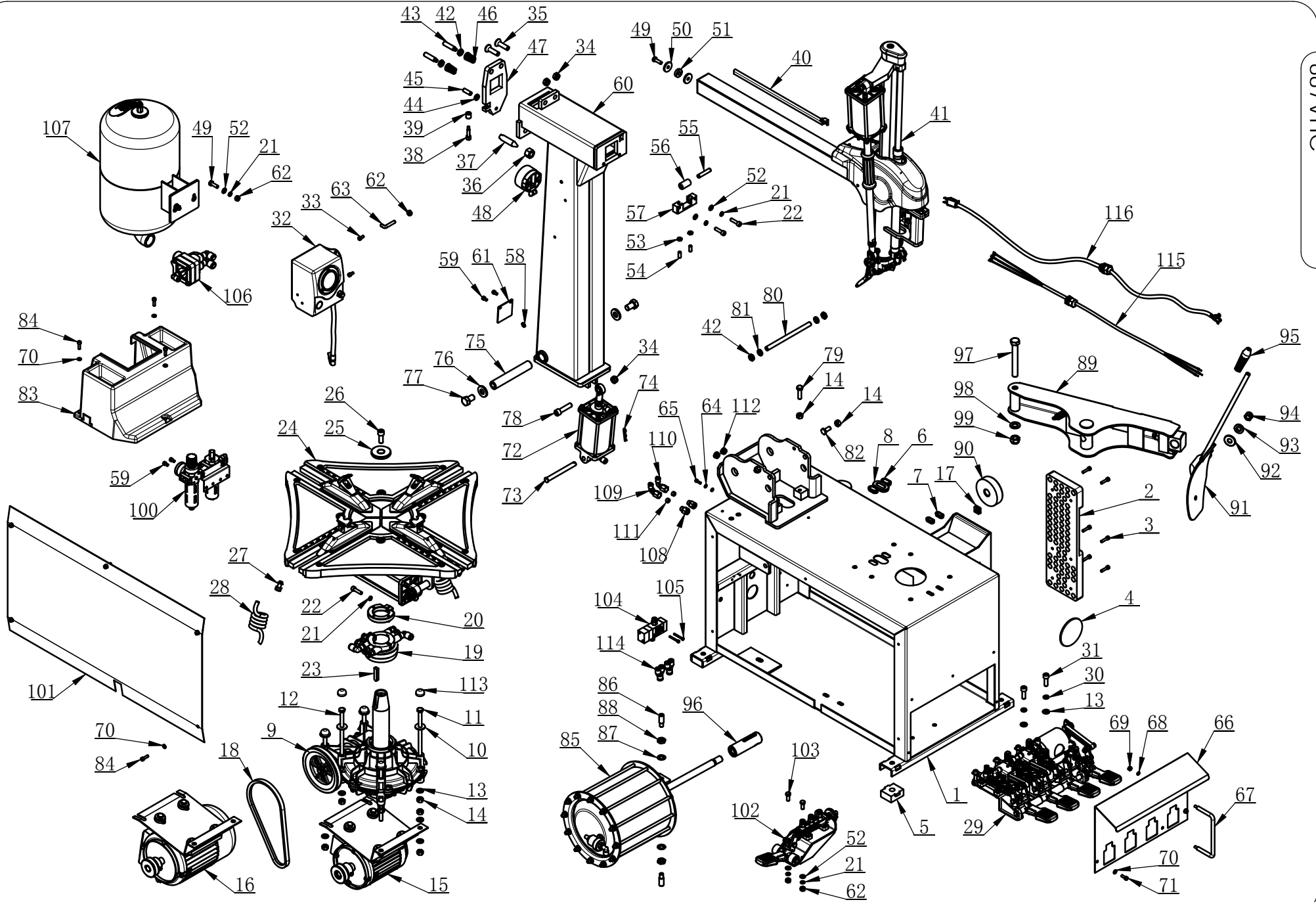


# 887VHC Exploded Drawing

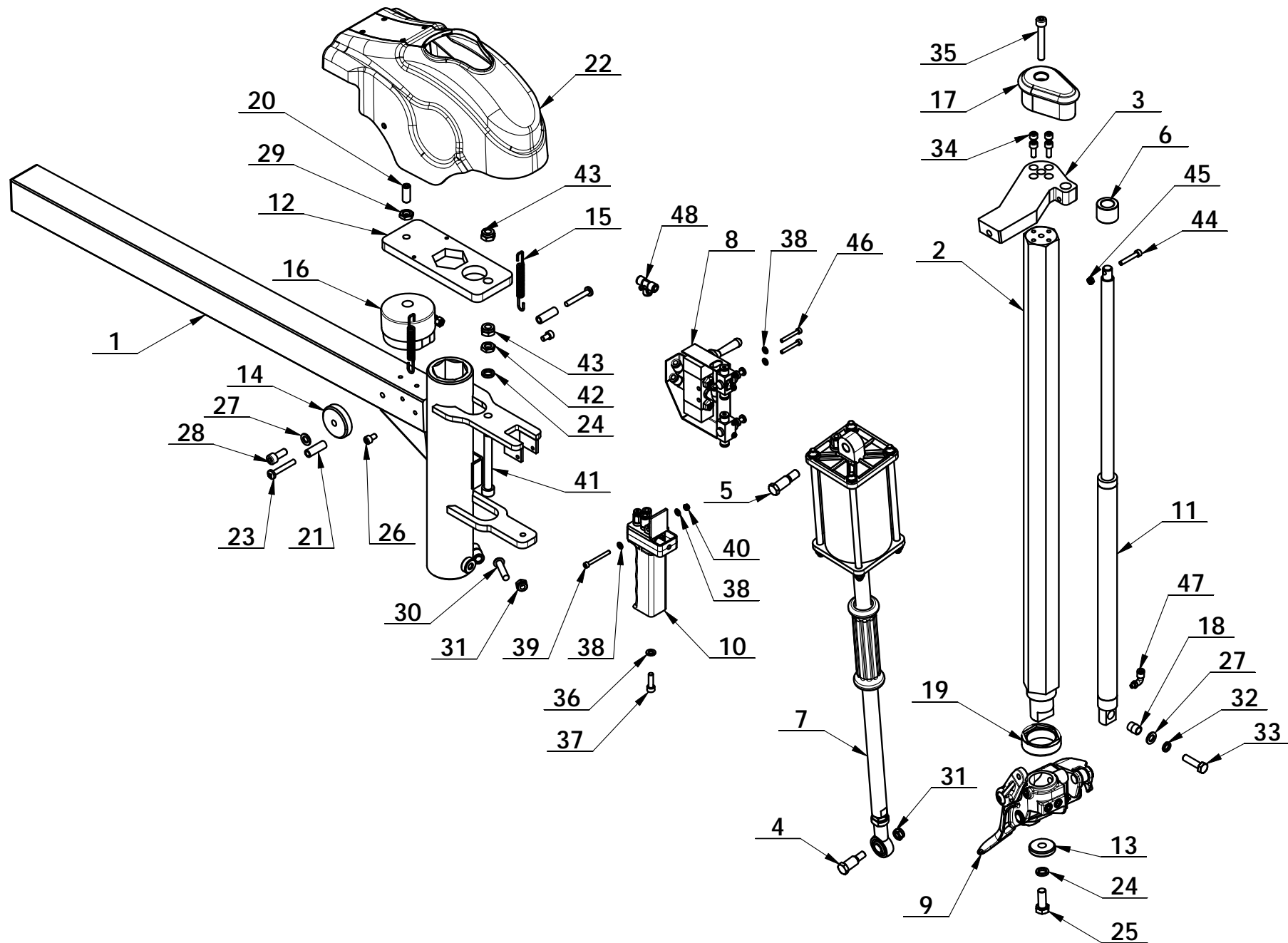




| ITEM | PART. No            | DESCRIPTION.                                    | QT. Y |
|------|---------------------|---|-------|
| 1    | C-80-1100000        | BODY  | 1     |
| 2    | C-80-1000001        | RUBBER PAD PLATE                                | 1     |
| 3    | GB70. 1-M6×25       | INNER HEXA CYLINDRICAL SCREW                    | 6     |
| 4    | C-80-1000002        | RUBBER PLUG                                     | 1     |
| 5    | C-54-1000005        | RUBBER FOOT                                     | 4     |
| 6    | C-54-1000022        | PLUG C  | 2     |
| 7    | C-54-1000023        | PLUG A  | 2     |
| 8    | C-54-1000028        | PLUG B  | 1     |
| 9    | CT-J-2100000        | GEARBOX ASSEMBLY                                | 1     |
| 10   | GB96. 1-10          | LARGE WASHER A GRADE                            | 6     |
| 11   | GB5782-M10×200-8. 8 | BOLT M10X200                                    | 4     |
| 12   | GB5782-M10×160-8. 8 | BOLT M10X200                                    | 2     |
| 13   | GB95-10             | FLAT WASHER                                     | 16    |
| 14   | GB41-M10            | HEXANGULAR NUT                                  | 18    |
| 15   | CT-DJ-0430322       | MOTOR(200V, 50/60Hz, 3P, 0. 75Kw)               | 1     |
| 16   | CT-DJ-021A312       | MOTOR(100V, 50/60Hz, 1P, 1. 1Kw)                | 1     |
| 17   | C-54-1000015        | STOP-UP   | 1     |
| 18   | CT-DJ-0000008       | BELT (A26)                                      | 1     |
| 19   | CT-Q-4000000        | ROTATING UNION                                  | 1     |
| 20   | CT-Q-6000000        | CLAMP RING                                      | 1     |
| 21   | GB93-8              | STANDARD SPRING WASHER                          | 7     |
| 22   | GB70. 1-M8×30       | INNER HEXA CYLINDRICAL SCREW                    | 3     |
| 23   | GB1096-C12×8×45     | COMMON FLAT KEY                                 | 1     |
| 24   | CT-Y-5100000        | TURNTABLE ASSEMBLY                              | 1     |
| 25   | C-54-1000012        | PRESS COVER                                     | 1     |
| 26   | GB70. 1-M12×30      | INNER HEXA CYLINDRICAL SCREW                    | 1     |
| 27   | FPC 10-01           | MALE STRAIGHT                                   | 4     |
| 28   | C-54-1000029        | PU SPIRAL TUBE                                  | 4     |
| 29   | CT-D-A100000        | PEDAL ASSEMBLY                                  | 1     |
| 30   | GB93-10             | STANDARD SPRING WASHER                          | 2     |
| 31   | GB70. 1-M10×30      | INNER HEXA CYLINDRICAL SCREW                    | 2     |
| 32   | CT-K-3400000        | INFLATOR COVER ASSEMBLY                         | 1     |
| 33   | GB70. 1-M6×12       | INNER HEXA CYLINDRICAL SCREW                    | 2     |
| 34   | GB889. 1-M12        | 1- TYPE PREVAILING TORQUE TYPE HEXAGON LOCK NUT | 3     |
| 35   | GB70. 3-M12×45      | INNER COUNTERSUNK SCREW                         | 2     |
| 36   | GB41-M16            | HEXANGULAR NUT                                  | 1     |
| 37   | C-A2-1500011        | SCREW   | 1     |
| 38   | C-A2-1500012        | SCREW   | 1     |
| 39   | C-A2-1500008        | ROLLER  | 1     |
| 40   | C-8A-1000002        | AIR HOSE CHUTE                                  | 1     |

| ITEM | PART. No            | DESCRIPTION.                              | QT. Y |
|------|---------------------|---|-------|
| 41   | C-8A-1A00000        | HORIZONTAL ARM ASSEMBLY                   | 1     |
| 42   | GB6172. 1-M12       | HEXANGULAR THIN NUT                       | 4     |
| 43   | GB79-M12×50         | INNER HEXA CYLINDRICAL TERMINUS SET SCREW | 2     |
| 44   | GB6172. 1-M10       | HEXANGULAR THIN NUT                       | 1     |
| 45   | GB77-M10×30         | INNER HEXA FLAT TERMINUS SET SCREW        | 1     |
| 46   | C-80-1000009        | PRESS SPRING                              | 2     |
| 47   | C-80-1000016        | SQUARE LOCK PLATE                         | 1     |
| 48   | C-77-1500000        | LOCKING CYLINDER ASSY                     | 1     |
| 49   | GB5783-M8×25        | HEXANGULAR BOLT                           | 3     |
| 50   | C-77-1000003        | CUSHION                                   | 2     |
| 51   | C-77-1000004        | RUBBER WASHER                             | 1     |
| 52   | GB95-8              | FLAT WASHER                               | 6     |
| 53   | GB6172. 1-M8        | HEXANGULAR THIN NUT                       | 2     |
| 54   | GB77-M8×20          | INNER HEXA FLAT TERMINUS SET SCREW        | 2     |
| 55   | GB119. 1-10×50      | CYLINDRICAL PIN                           | 1     |
| 56   | C-7C-1000005        | TELEFLEX                                  | 1     |
| 57   | C-7C-1000004        | PEDESTAL                                  | 1     |
| 58   | TC-10-8400006       | OIL BOTTLE                                | 1     |
| 59   | GB70. 1-M6×10       | INNER HEXA CYLINDRICAL SCREW              | 4     |
| 60   | C-80-1200000A       | COLUMN WELDING DRAWING                    | 1     |
| 61   | C-80-1000010        | BLOCK PLATE                               | 1     |
| 62   | GB41-M8             | HEXANGULAR NUT                            | 5     |
| 63   | C-71-1000024        | INFLATING GUN HOOK                        | 1     |
| 64   | GB95-5              | FLAT WASHER                               | 2     |
| 65   | GB5783-M5×16        | HEXANGULAR BOLT                           | 1     |
| 66   | C-7C-1000001        | PROTECTIVE COVER                          | 1     |
| 67   | C-71-1000005        | PROTECTIVE ROD                            | 1     |
| 68   | GB93-6              | STANDARD SPRING WASHER                    | 2     |
| 69   | GB41-M6             | HEXANGULAR NUT                            | 2     |
| 70   | GB95-6              | FLAT WASHER                               | 13    |
| 71   | GB70. 1-M6×16       | INNER HEXA CYLINDRICAL SCREW              | 5     |
| 72   | CT-XD-1000000       | PULL-OUT CYLINDER ASSEMBLY                | 1     |
| 73   | GB882-12×120        | PIN SHAFT                                 | 1     |
| 74   | C-77-1000012        | CIRCLIP                                   | 1     |
| 75   | C-80-1000004        | ROTATION SHAFT                            | 1     |
| 76   | C-71-1000010        | WASHER                                    | 2     |
| 77   | GB5783-M16×25-W8. 8 | HEXANGULAR BOLT                           | 2     |
| 78   | GB70. 1-M12×50      | INNER HEXA CYLINDRICAL SCREW              | 1     |
| 79   | GB5783-M10×35       | HEXANGULAR BOLT                           | 2     |
| 80   | C-80-1000003        | ROTATION SHAFT                            | 1     |

| ITEM | PART. No       | DESCRIPTION.                                   | QT. Y |
|------|----------------|--|-------|
| 81   | GB93-12        | STANDARD SPRING WASHER                         | 2     |
| 82   | C-71-1000009   | BOLT   | 2     |
| 83   | C-80-1000008   | PROTECTIVE COVER                               | 1     |
| 84   | GB70. 1-M6×20  | INNER HEXA CYLINDRICAL SCREW                   | 8     |
| 85   | CT-LS-B100000  | BEAD BREAKER CYLINDER ASSEMBLY                 | 1     |
| 86   | C-54-1000010   | SCREWS M14X42                                  | 2     |
| 87   | GB861. 1-14    | INNER TOOTH LOCK WAHSER                        | 2     |
| 88   | GB6172. 1-M14  | HEXANGULAR THIN NUT                            | 2     |
| 89   | CT-B-9000000   | BEAD BREAKER ARM ASSEMBLY                      | 1     |
| 90   | C-5B-1000003   | RUBBER WASHER                                  | 1     |
| 91   | CT-C-2100000   | BEAD BREAKER BLADE                             | 1     |
| 92   | C-54-1000002   | WASHER   | 1     |
| 93   | GB955-14       | WAVE-FORM SPRING WASHER                        | 1     |
| 94   | GB889. 1-M14   | 1-TYPE PREVAILING TORQUE TYPE HEXAGON LOCK NUT | 1     |
| 95   | TC-40-1200022  | RUBBER COVER                                   | 1     |
| 96   | C-5B-1400000   | LIMIT SET                                      | 1     |
| 97   | GB5782-M16×120 | HEXANGULAR BOLT                                | 1     |
| 98   | GB95-16        | FLAT WASHER                                    | 1     |
| 99   | GB889. 1-M16   | 1-TYPE PREVAILING TORQUE TYPE HEXAGON LOCK NUT | 1     |
| 100  | CT-F-2121200   | AIR REGULATOR ASSEMBLY                         | 1     |
| 101  | C-80-1000006   | SIDE PANEL                                     | 1     |
| 102  | CT-K-1D00000   | INFLATION PEDAL ASSEMBLY                       | 1     |
| 103  | GB5783-M8×20   | HEXANGULAR BOLT                                | 2     |
| 104  | C-80-1500000   | VALVE  | 1     |
| 105  | GB70. 1-M4×35  | INNER HEXA CYLINDRICAL SCREW                   | 2     |
| 106  | CT-K-2200000   | QUICK EXHAUST VALVE ASSEMBLY                   | 1     |
| 107  | CT-K-4100000   | STORAGE TANKS ASSEMBLY                         | 1     |
| 108  | FPC 8-02       | MALE STRAIGHT                                  | 2     |
| 109  | FPLF8-02       | INSERT ELBOW $\phi$ 8, R1/4                    | 1     |
| 110  | FPLF 6-02      | FEMALE ELBOW                                   | 1     |
| 111  | C-54-1000027   | JOINT SEALING GASKET                           | 2     |
| 112  | C-71-1000027   | HELPER RUBBE PLUG                              | 2     |
| 113  | C-01-1000006   | COVER CAP                                      | 6     |
| 114  | FPY-8          | Y-SHAPE INSERT FITTING $\Phi$ 8                | 2     |
| 115  | CT-E-UN00410   | CABLE (3P)                                     | 1     |
| 116  | CT-E-US00325   | CABLE (1P)                                     | 1     |



C-8A-1A00000

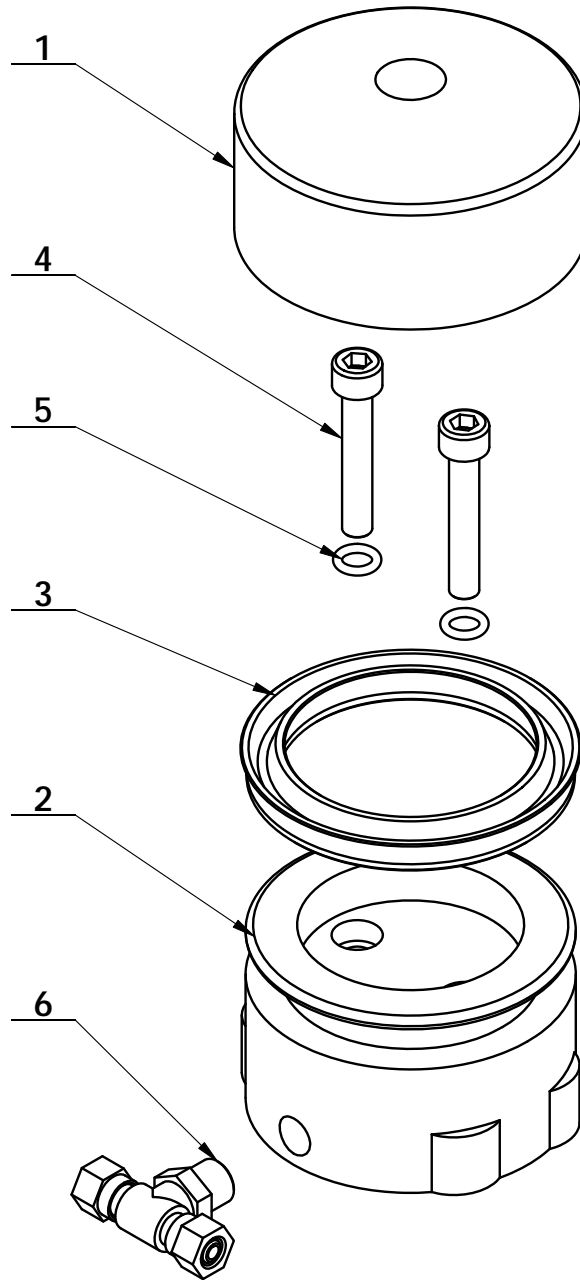
| ITEM | PART. No           | DESCRIPTION.                                   | QT. Y |
|------|--------------------|--|-------|
| 1    | C-8A-1A10000       | HORIZONTAL ARM WELDING                         | 1     |
| 2    | C-8R-1A00001       | HEXANGULAR SHAFT                               | 1     |
| 3    | C-8R-1A00002       | CYLINDER CONNET PLATE                          | 1     |
| 4    | C-8R-1A00003       | SELF-MADE BOLT M8                              | 1     |
| 5    | C-8R-1A00004       | SELF-MADE BOLT M10                             | 1     |
| 6    | C-8R-1A00005       | RUBBER WASHER                                  | 1     |
| 7    | C-8R-1A20000       | CYLINDER ASSEMBLY                              | 1     |
| 8    | C-8R-1A30000       | CONTROL VALVE ASSEMBLY                         | 1     |
| 9    | C-8R-1A40000       | DEMOUNTING HEAD ASSEMBLY                       | 1     |
| 10   | C-8A-1330000A      | HANDLE CONTROLLING VALVE                       | 1     |
| 11   | C-8P-1320000       | PNEUMATIC SPRING                               | 1     |
| 12   | C-8P-1300002       | HEXANGULAR LOCK PLATE                          | 1     |
| 13   | C-54-1300008       | PRESS WASHER                                   | 1     |
| 14   | C-71-1300005A      | POSITIONING BLOCK                              | 1     |
| 15   | C-71-1300004       | SPRING   | 2     |
| 16   | C-71-1320000       | LOCKING CYLINDER ASSY                          | 1     |
| 17   | C-8A-1300001       | VERTICAL SHAFT COVER                           | 1     |
| 18   | C-8A-1300008       | BUSHING  | 1     |
| 19   | C-8R-1300002       | SHOCK ABSORBER WASHER                          | 1     |
| 20   | C-71-1000029       | INNER HEXA FLAT TERMINUS SET SCREW             | 1     |
| 21   | C-77-1000006       | PROTECTIVE HOOD LOCK BUSHING                   | 2     |
| 22   | C-8R-1A00006       | PROTECTIVE COVER                               | 1     |
| 23   | GB818-M6×40-H      | CROSS PANHEAD SCREW                            | 2     |
| 24   | GB93-10            | STANDARD SPRING WASHER                         | 2     |
| 25   | GB5783-M10×25-12.9 | HEXANGULAR BOLT                                | 1     |
| 26   | GB70.1-M6×10       | INNER HEXA CYLINDRICAL SCREW                   | 2     |
| 27   | GB95-8             | FLAT WASHER                                    | 2     |
| 28   | GB70.1-M8×20       | INNER HEXA CYLINDRICAL SCREW                   | 1     |
| 29   | GB6173-M10×1.0     | HEXA THIN NUT                                  | 1     |
| 30   | GB70.2-M8×35       | INNER HEXA CYLINDRICAL ROUND HEAD SCREW        | 1     |
| 31   | GB889.1-M8         | 1-TYPE PREVAILING TORQUE TYPE HEXAGON LOCK NUT | 2     |
| 32   | GB93-8             | STANDARD SPRING WASHER                         | 1     |
| 33   | GB5783-M8×30       | HEXANGULAR BOLT                                | 1     |
| 34   | GB70.1-M6×16       | INNER HEXA CYLINDRICAL SCREW                   | 4     |
| 35   | GB70.1-M8×55       | INNER HEXA CYLINDRICAL SCREW                   | 1     |
| 36   | GB95-6             | FLAT WASHER                                    | 1     |
| 37   | GB70.1-M6×20       | INNER HEXA CYLINDRICAL SCREW                   | 1     |
| 38   | GB95-4             | FLAT WASHER                                    | 4     |
| 39   | GB70.1-M4×40       | INNER HEXA CYLINDRICAL SCREW                   | 1     |
| 40   | GB889.1-M4         | 1-TYPE PREVAILING TORQUE TYPE HEXAGON LOCK NUT | 1     |

C-8A-1A00000

| ITEM | PART. No       | DESCRIPTION.                                   | QT. Y |
|------|----------------|--|-------|
| 41   | GB70. 1-M10×85 | INNER HEXA CYLINDRICAL SCREW                   | 1     |
| 42   | GB6172. 1-M10  | HEXANGULAR THIN NUT                            | 1     |
| 43   | GB889. 1-M10   | 1-TYPE PREVAILING TORQUE TYPE HEXAGON LOCK NUT | 2     |
| 44   | GB70. 1-M5×30  | INNER HEXA CYLINDRICAL SCREW                   | 1     |
| 45   | GB889. 1-M5    | 1-TYPE PREVAILING TORQUE TYPE HEXAGON LOCK NUT | 1     |
| 46   | GB70. 1-M4×30  | INNER HEXA CYLINDRICAL SCREW                   | 2     |
| 47   | 6522 4-M5      | MALE ELBOW                                     | 1     |
| 48   | FPE 6          | UNION TEE                                      | 1     |

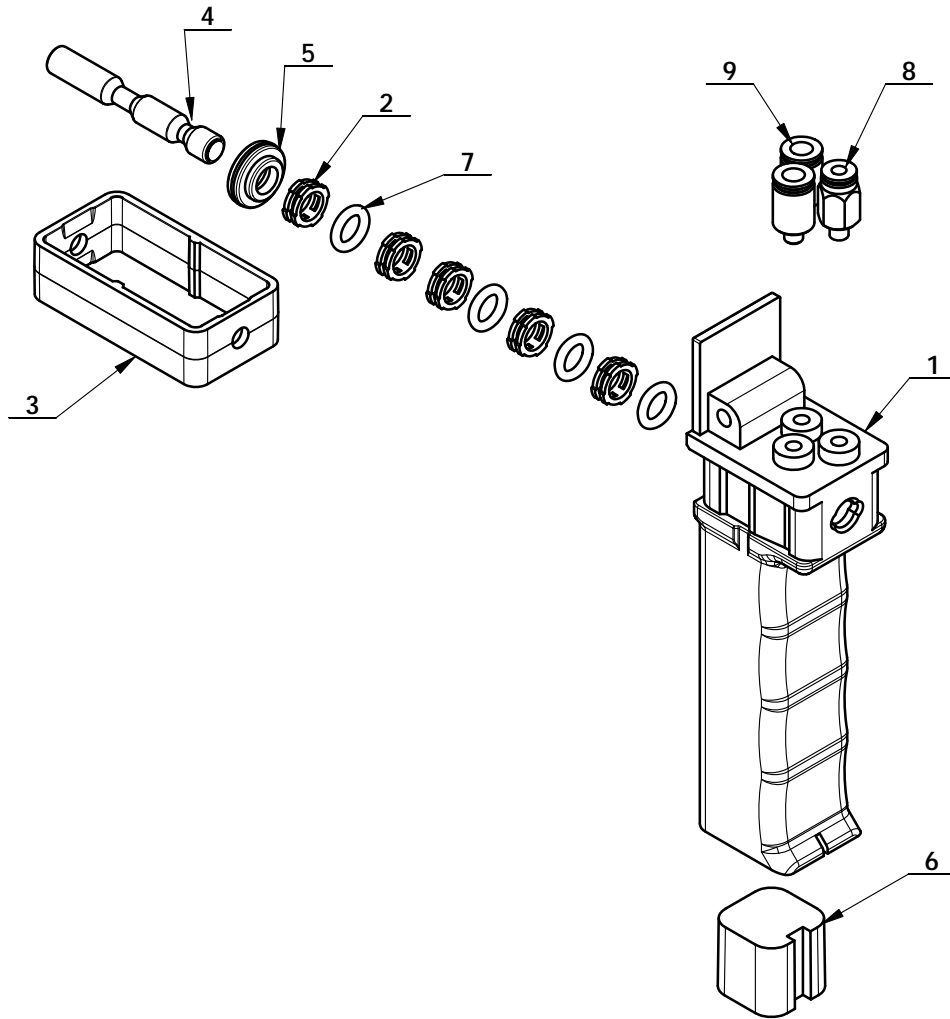


C-71-1320000



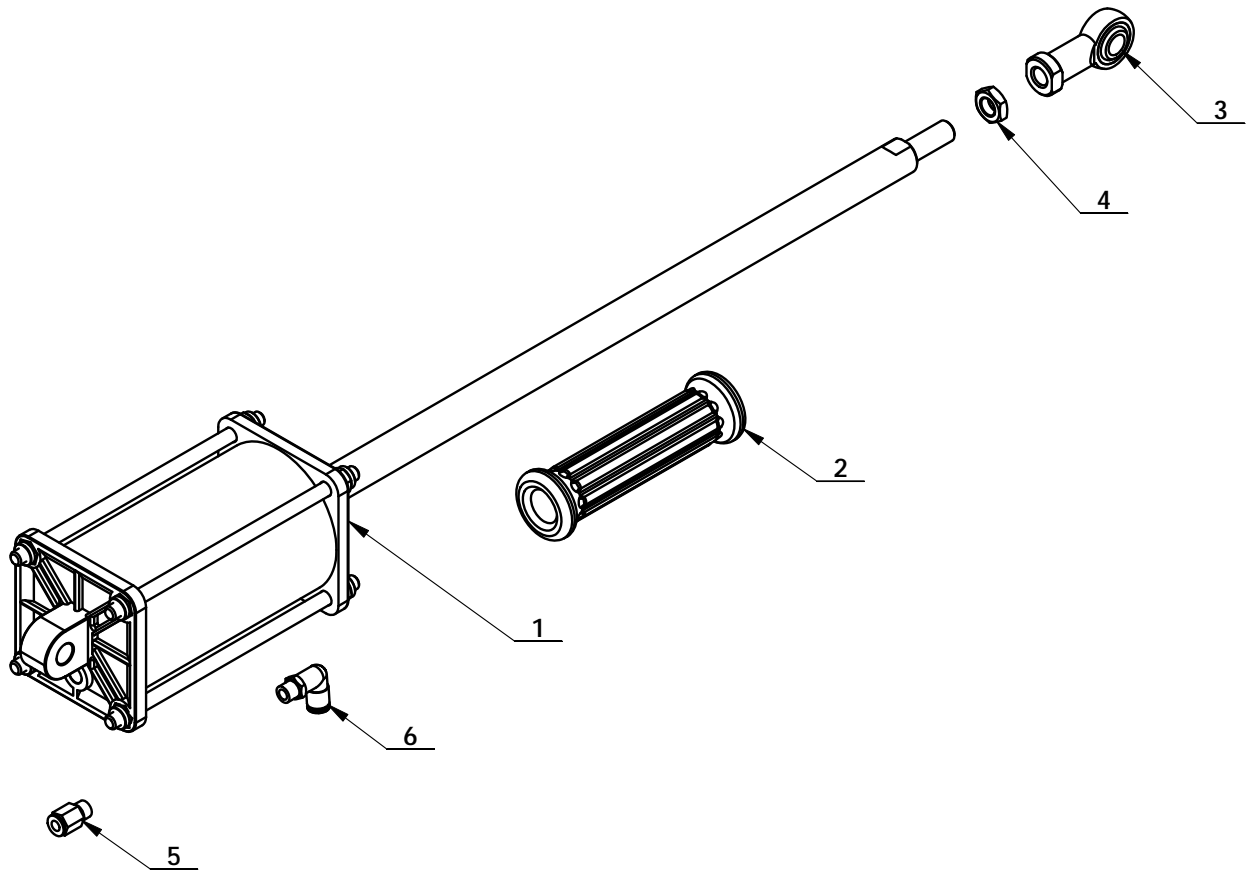
| ITEM | PART. No          | DESCRIPTION.                             | QT. Y |
|------|-------------------|--|-------|
| 1    | C-71-1320001      | LOCK TURNTABLE CYLINDER HEAD             | 1     |
| 2    | C-71-1320002      | LOCK CYLINDER BODY                       | 1     |
| 3    | C-71-1320003      | Y-RING                                   | 1     |
| 4    | GB70. 1-M6×35     | SCREW M6X35                              | 2     |
| 5    | GB3452. 1-6×1.8-G | HYDRAULIC-PNEUMATIC RUBBER O-RING G TYPE | 2     |
| 6    | PBS 6-01          | MALE BRANCH TEE NUT                      | 1     |

C-8A-1330000A



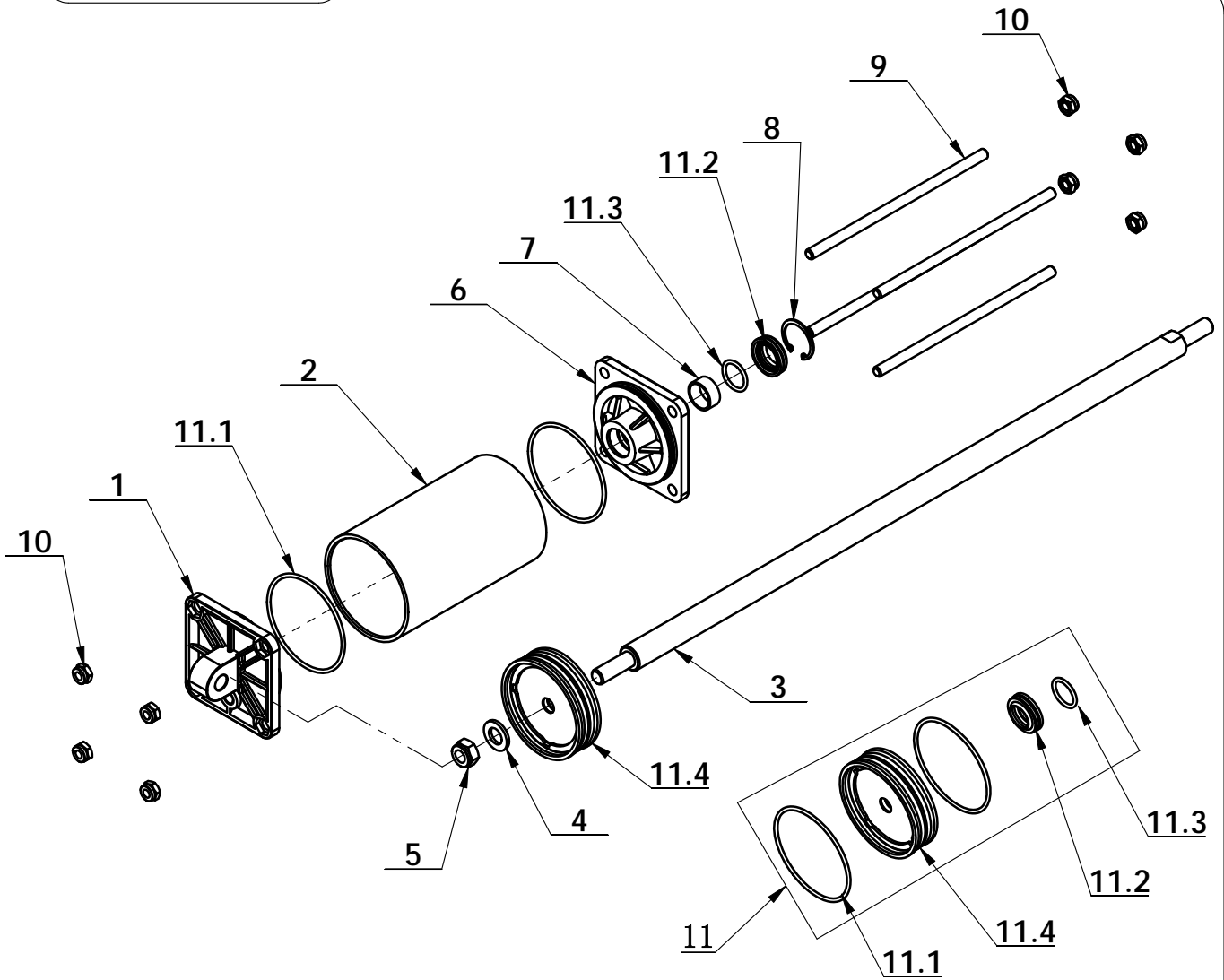
| ITEM | PART. No          | DESCRIPTION.                             | QT. Y |
|------|-------------------|--|-------|
| 1    | C-8A-1330010      | HANDLE CONTROL VALVE BODY                | 1     |
| 2    | C-8A-1330011      | VALVE SPACER                             | 5     |
| 3    | C-8A-1330012      | GUIDE RING                               | 1     |
| 4    | C-8A-1330013      | VALVE ROD                                | 1     |
| 5    | C-71-1330006      | FRONT SEALING COVER                      | 1     |
| 6    | C-8A-1330008      | SQUARE BLOCK                             | 1     |
| 7    | GB3452.1-8×2.65-A | HYDRAULIC-PNEUMATIC RUBBER O-RING A TYPE | 4     |
| 8    | FPC 4-M5          | MALE STRAIGHT                            | 1     |
| 9    | MFPC 6-M5         | MINI MALE STRAIGHT                       | 2     |

C-8R-1A20000



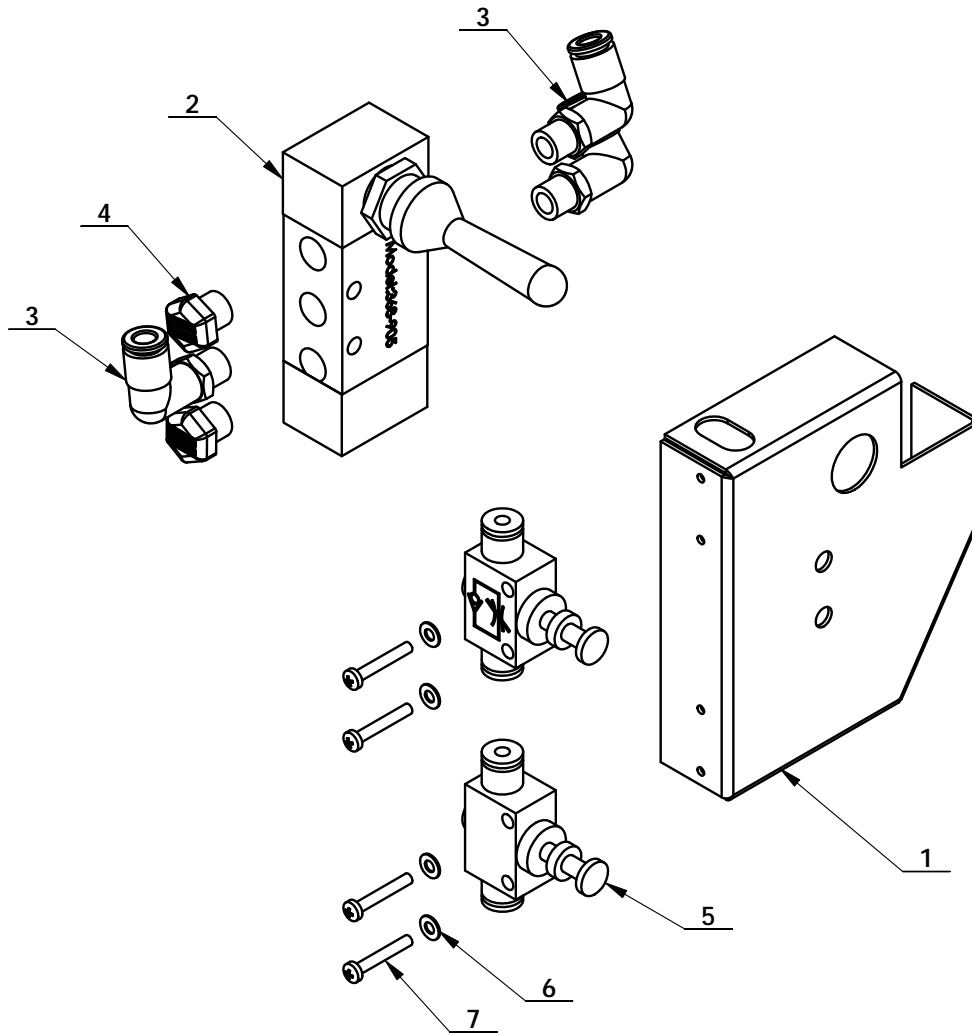
| ITEM | PART. No      | DESCRIPTION.        | QT. Y |
|------|---------------|---------------------|-------|
| 1    | C-8R-1A21000  | CYLINDER            | 1     |
| 2    | C-8R-1A20001  | RUBBER SLEEVE       | 1     |
| 3    | CT-XD-1000007 | BEARING JOINTS      | 1     |
| 4    | GB6172. 1-M12 | HEXANGULAR THIN NUT | 1     |
| 5    | FPC 6-01      | MALE STRAIGHT       | 1     |
| 6    | FPL 6-01      | MALE ELBOW          | 1     |

C-8R-1A21000

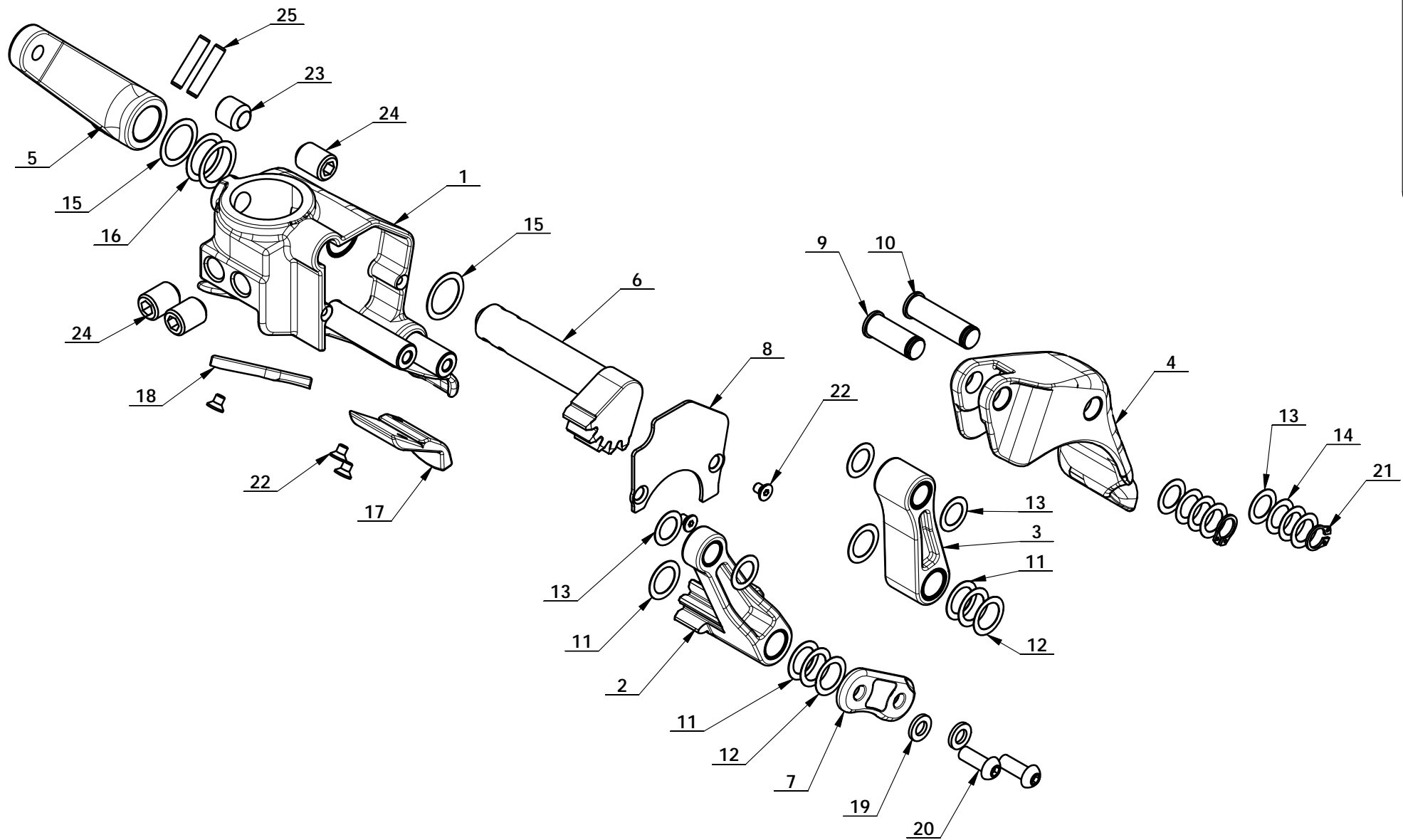


| ITEM | PART. No             | DESCRIPTION.                                    | QT. Y |
|------|----------------------|---|-------|
| 1    | CT-Y-4120005         | CAP-BASE, CYLNR                                 | 1     |
| 2    | C-8A-1411001         | CYLINDER BODY                                   | 1     |
| 3    | C-8R-1A21001         | PISTON ROD                                      | 1     |
| 4    | GB95-12              | FLAT WASHER                                     | 1     |
| 5    | GB889. 1-M12         | 1- TYPE PREVAILING TORQUE TYPE HEXAGON LOCK NUT | 1     |
| 6    | CT-Y-4120004         | CYLINDER FRONT COVER                            | 1     |
| 7    | JH1 2010             | BEARING-SLIDE                                   | 1     |
| 8    | GB893. 1-30          | ELASTIC RETAINING RING A-TYPE                   | 1     |
| 9    | C-8R-1A21002         | BOLT  | 4     |
| 10   | GB889. 1-M8          | 1-TYPE PREVAILING TORQUE TYPE HEXAGON LOCK NUT  | 8     |
| 11   | CT-Y-4121000         | CYLINDER SEALING PARTS ASSEMBLY                 | 1     |
| 11.1 | GB3452. 1-75×2. 65-G | HYDRAULIC-PNEUMATIC RUBBER O-RING G TYPE        | 2     |
| 11.2 | CT-Y-0160007         | SEAL-ROD, CYLNR                                 | 1     |
| 11.3 | GB3452. 1-20×2. 65   | HYDRAULIC-PNEUMATIC RUBBER O-RING G TYPE        | 1     |
| 11.4 | CT-Y-4120006         | PISTON  | 1     |

C-8R-1A30000



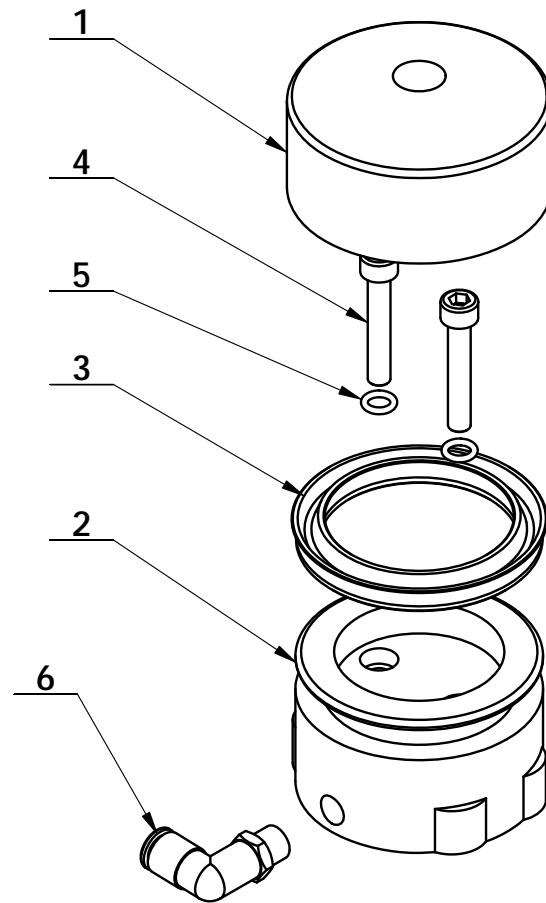
| ITEM | PART. No      | DESCRIPTION.           | QT. Y |
|------|---------------|------------------------|-------|
| 1    | C-8R-1A30001  | HANDLE VALVE COVER     | 1     |
| 2    | C-8A-1430001  | CONTROL VALVE          | 1     |
| 3    | FPL 6-01      | MALE ELBOW             | 3     |
| 4    | FSSL 1 / 8    | PARTICLE SILENCER      | 2     |
| 5    | FPAC 4        | SPEED ADJUSTMENT JOINT | 2     |
| 6    | GB95-3        | FLAT WASHER            | 4     |
| 7    | GB818-M3×20-H | CROSS PANHEAD SCREW    | 4     |



## C-8R-1A40000

| ITEM | PART. No      | DESCRIPTION.                            | QT. Y |
|------|---------------|---|-------|
| 1    | C-8R-1A41000  | DEMOUNTING HEAD                         | 1     |
| 2    | C-8R-1A42000  | GEAR LINKAGE ROD                        | 1     |
| 3    | C-8R-1A43000  | LINKAGE ROD                             | 1     |
| 4    | C-8R-1A40001  | DEMOUNTING HOOK                         | 1     |
| 5    | C-8R-1A40002  | CYLINDER LINKAGE ROD                    | 1     |
| 6    | C-8R-1A40003  | GEAR SHAFT                              | 1     |
| 7    | C-8R-1A40004  | PRESSURE PAD                            | 1     |
| 8    | C-8R-1A40005  | COVER                                   | 1     |
| 9    | C-8R-1A40008  | SHAFT A                                 | 1     |
| 10   | C-8R-1A40009  | SHAFT B                                 | 1     |
| 11   | C-8R-1A40010  | ADJUST WASHER 12.5×18×0.3               | 4     |
| 12   | C-8R-1A40010A | ADJUST WASHER 12.5×18×0.2               | 4     |
| 13   | C-8R-1A40011  | ADJUST WASHER 10.5×16×0.3               | 6     |
| 14   | C-8R-1A40011A | ADJUST WASHER 10.5×16×0.2               | 6     |
| 15   | C-8R-1A40012  | ADJUST WASHER 16.5×22×0.3               | 2     |
| 16   | C-8R-1A40012A | ADJUST WASHER 16.5×22×0.2               | 2     |
| 17   | C-8R-1A40013  | SHEATH                                  | 1     |
| 18   | C-8R-1A40014  | PROTECTIVE PAD                          | 1     |
| 19   | GB95-6        | FLAT WASHER                             | 2     |
| 20   | GB70. 2-M6×16 | INNER HEXA CYLINDRICAL ROUND HEAD SCREW | 2     |
| 21   | GB894. 1-10   | SHAFT ELATIC BIG RETAINING RING A-TYPE  | 2     |
| 22   | GB70. 3-M4×6  | INNER COUNTERSUNK SCREW                 | 5     |
| 23   | GB80-M12×12   | INNER HEXA RECESSED TERMINUS SET SCREW  | 1     |
| 24   | GB80-M12×16   | INNER HEXA RECESSED TERMINUS SET SCREW  | 3     |
| 25   | GB119. 1-5×24 | CYLINDRICAL PIN                         | 2     |

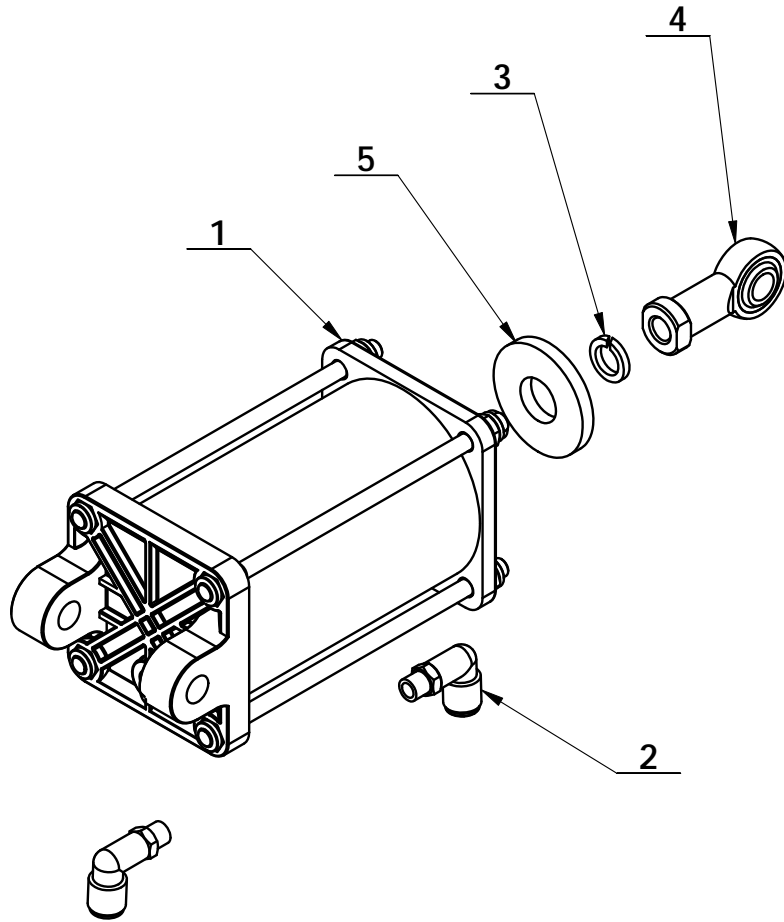
C-77-1500000



| ITEM | PART. No          | DESCRIPTION.                             | QT. Y |
|------|-------------------|--|-------|
| 1    | C-71-1320001      | LOCK TURNTABLE CYLINDER HEAD             | 1     |
| 2    | C-71-1320002      | LOCK CYLINDER BODY                       | 1     |
| 3    | C-71-1320003      | Y-RING                                   | 1     |
| 4    | GB70. 1-M6×35     | INNER HEXA CYLINDRICAL SCREW             | 2     |
| 5    | GB3452. 1-6×1.8-G | HYDRAULIC-PNEUMATIC RUBBER O-RING G TYPE | 2     |
| 6    | FPL 6-01          | MALE ELBOW                               | 1     |

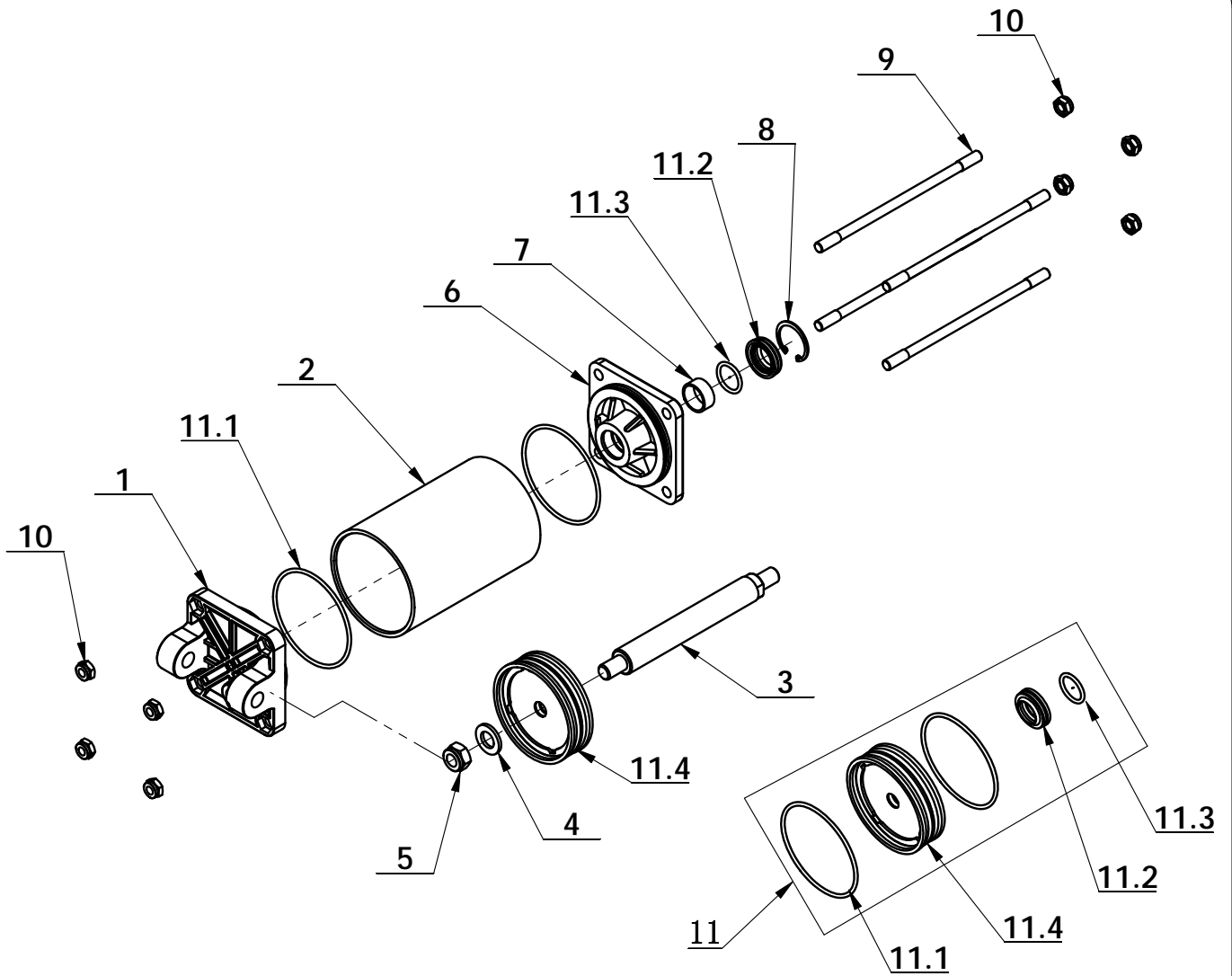


CT-XD-1000000

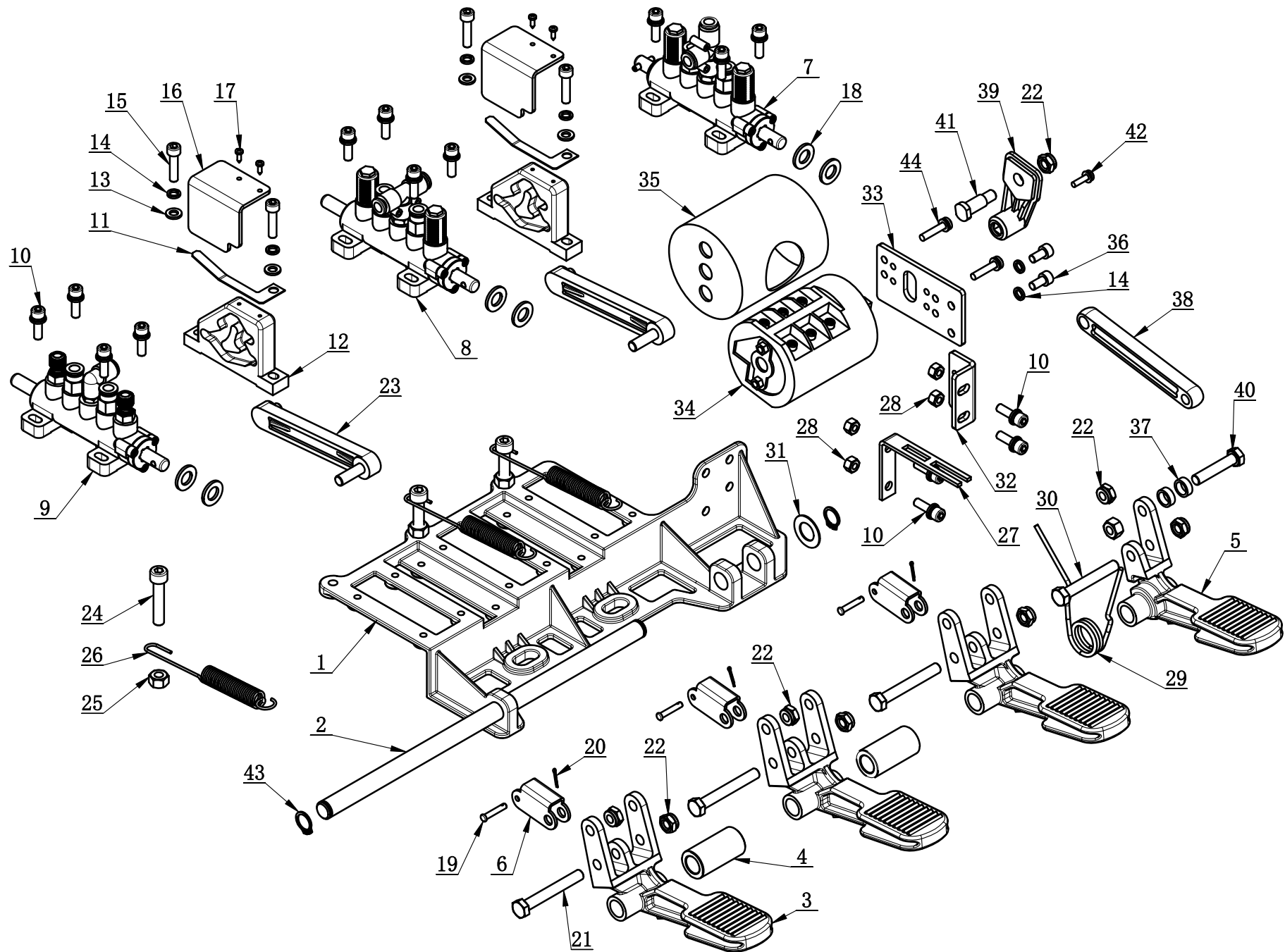


| ITEM | PART. No      | DESCRIPTION.                 | QT. Y |
|------|---------------|------------------------------|-------|
| 1    | CT-XD-1100000 | PULL-OUT CYLINDER            | 1     |
| 2    | FPL 8-01      | INSERT ELBOW $\Phi 8$ , R1/8 | 2     |
| 3    | GB93-12       | STANDARD SPRING WASHER       | 1     |
| 4    | CT-XD-1000007 | BEARING JOINTS               | 1     |
| 5    | H-12-1000001  | FELT WASHER                  | 1     |

CT-XD-1100000

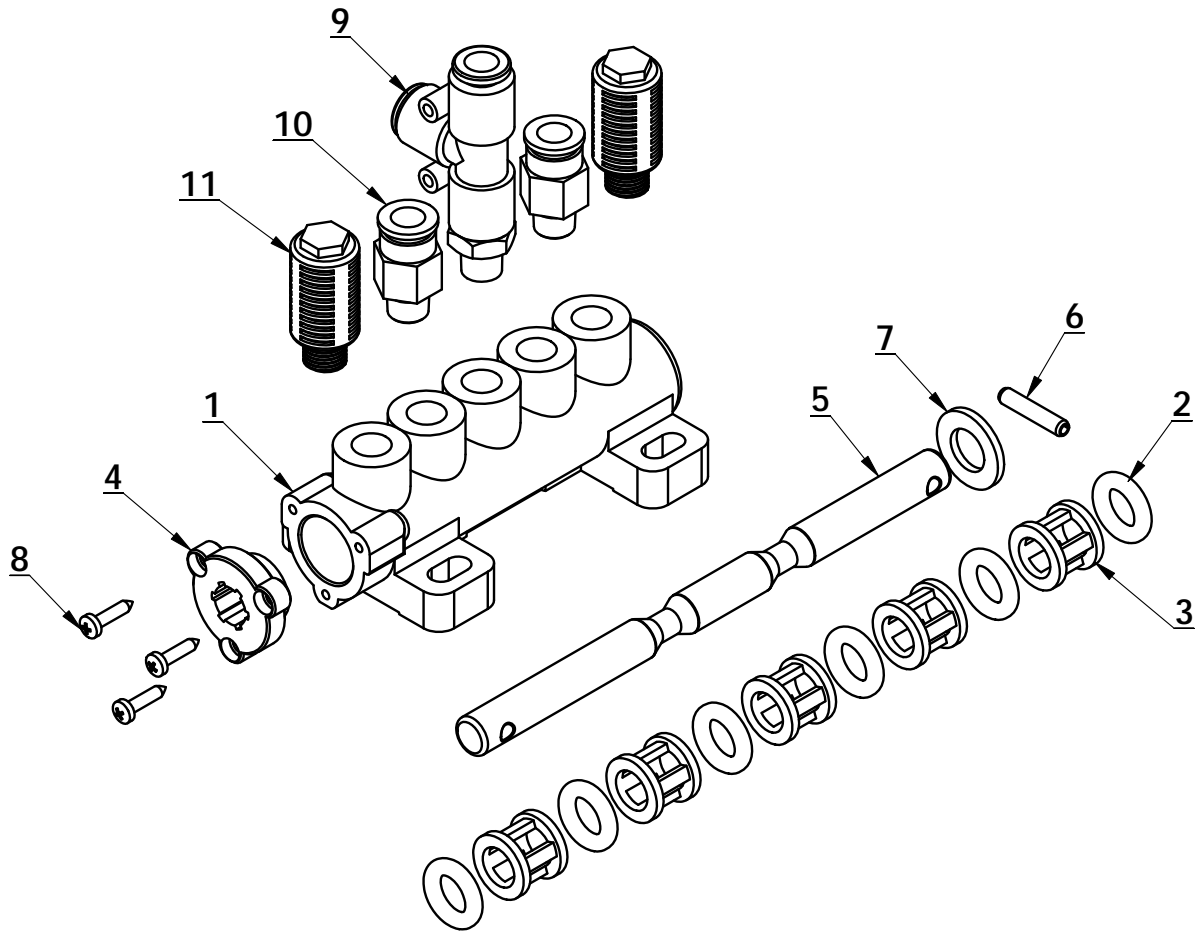


| ITEM  | PART. No             | DESCRIPTION.                                    | QT. Y |
|-------|----------------------|---|-------|
| 1     | CT-XD-1000005        | CYLINDER REAR COVER                             | 1     |
| 2     | CT-XD-1000001        | CYLINDER BODY                                   | 1     |
| 3     | CT-XD-1000006        | SHAFT-CYLNR                                     | 1     |
| 4     | GB95-12              | FLAT WASHER                                     | 1     |
| 5     | GB889. 1-M12         | 1- TYPE PREVAILING TORQUE TYPE HEXAGON LOCK NUT | 1     |
| 6     | CT-Y-4120004         | CYLINDER FRONT COVER                            | 1     |
| 7     | JH1 2010             | BEARING-SLIDE                                   | 1     |
| 8     | GB893. 1-30          | ELASTIC RETAINING RING A-TYPE                   | 1     |
| 9     | CT-XD-1000003        | BARS  | 4     |
| 10    | GB889. 1-M8          | 1-TYPE PREVAILING TORQUE TYPE HEXAGON LOCK NUT  | 8     |
| 11    | CT-Y-4121000         | CYLINDER SEALING PARTS ASSEMBLY                 | 1     |
| 11. 1 | GB3452. 1-75×2. 65-G | HYDRAULIC-PNEUMATIC RUBBER O-RING G TYPE        | 2     |
| 11. 2 | CT-Y-0160007         | SEAL-ROD, CYLNR                                 | 1     |
| 11. 3 | GB3452. 1-20×2. 65   | HYDRAULIC-PNEUMATIC RUBBER O-RING G TYPE        | 1     |
| 11. 4 | CT-Y-4120006         | PISTON  | 1     |

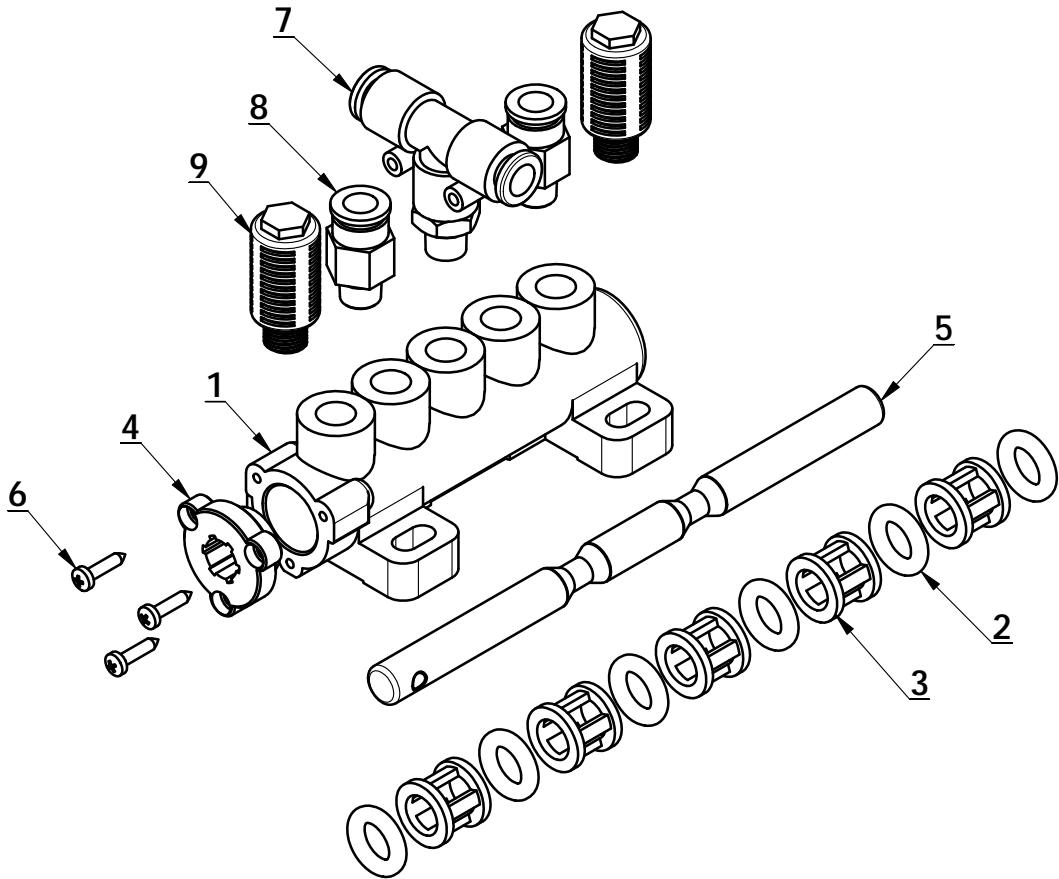


## CT-D-A100000

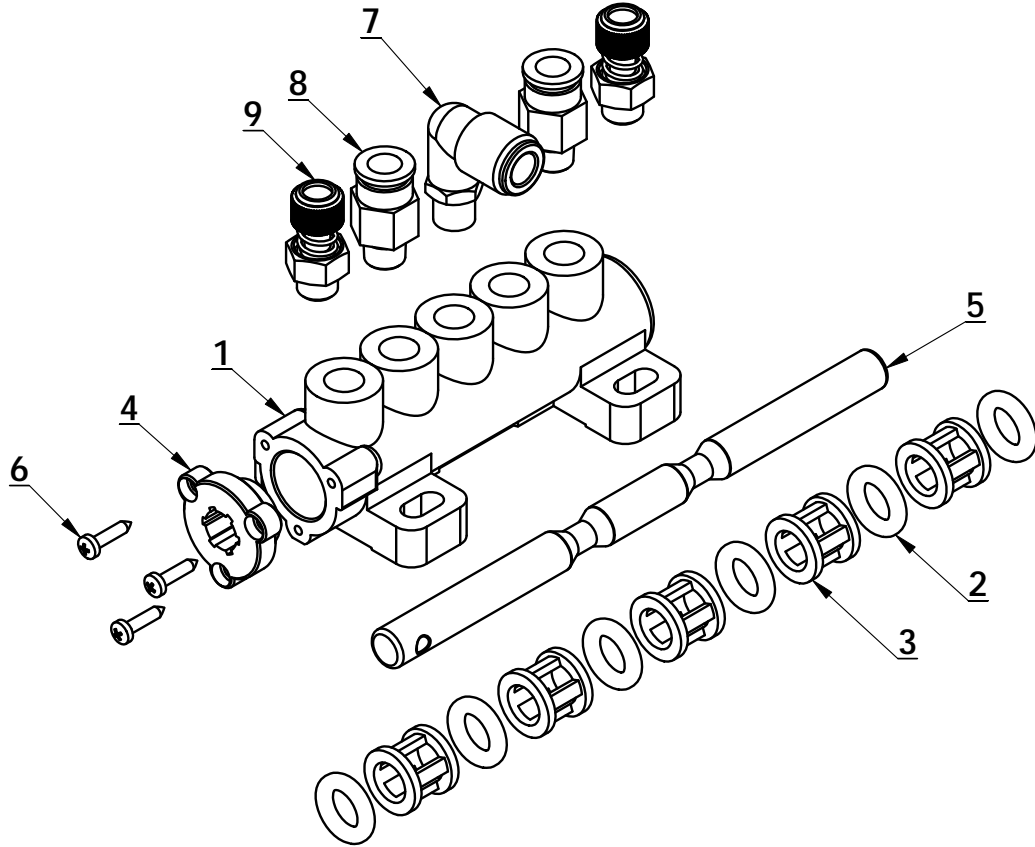
| ITEM | PART. No            | DESCRIPTION.                                   | QT. Y |
|------|---------------------|--|-------|
| 1    | CT-D-6100001        | PEDAL SUPPORT                                  | 1     |
| 2    | CT-D-6100002        | BOTTOM SHAFT                                   | 1     |
| 3    | CT-D-9100002        | PEDAL  | 3     |
| 4    | CT-D-2100001        | SPACER   | 2     |
| 5    | CT-D-9100001        | PEDAL  | 1     |
| 6    | CT-D-5100005        | CONNECTION PART                                | 3     |
| 7    | CT-D-0010000        | VALVE  | 1     |
| 8    | CT-D-0014000        | VALVE  | 1     |
| 9    | CT-D-0015000        | VALVE  | 1     |
| 10   | GB9074-M6×20        | COMBINATION SCREW                              | 15    |
| 11   | CT-D-2100004        | FORK SPRING PLATE                              | 2     |
| 12   | CT-D-1100009        | CAM  | 2     |
| 13   | GB95-6              | FLAT WASHER                                    | 4     |
| 14   | GB93-6              | STANDARD SPRING WASHER                         | 6     |
| 15   | GB70. 1-M6×25       | INNER HEXA CYLINDRICAL SCREW                   | 4     |
| 16   | CT-D-5100010        | CAM BAFFLE PLATE                               | 2     |
| 17   | GB845-ST2.9×9.5 H C | CROSS PANHEAD TAPPING SCREW                    | 4     |
| 18   | GB95-10             | FLAT WASHER                                    | 6     |
| 19   | GB882-4×22          | PIN SHAFT                                      | 3     |
| 20   | GB91-1.6×10         | SLOTTED PIN                                    | 3     |
| 21   | GB5783-M8×60        | HEXANGULAR BOLT                                | 3     |
| 22   | GB889. 1-M8         | 1-TYPE PREVAILING TORQUE TYPE HEXAGON LOCK NUT | 8     |
| 23   | CT-D-1100008        | CAM CONNECTING ROD                             | 2     |
| 24   | GB70. 1-M8×40       | INNER HEXA CYLINDRICAL SCREW                   | 3     |
| 25   | GB41-M8             | HEXANGULAR NUT                                 | 4     |
| 26   | CT-D-5100007        | SPRING   | 3     |
| 27   | CT-D-2100010        | TORSION SPRING BRACKET                         | 1     |
| 28   | GB41-M6             | HEXANGULAR NUT                                 | 4     |
| 29   | CT-D-2100002        | TORSION SPRING                                 | 1     |
| 30   | GB5782-M8×55        | HEXANGULAR BOLT                                | 1     |
| 31   | CT-D-2100014        | WASHER   | 1     |
| 32   | CT-D-5100008        | SWITCH SUPPORT                                 | 1     |
| 33   | CT-D-5100009A       | SWITCH SUPPORT                                 | 1     |
| 34   | CT-D-1100018        | SWITCH   | 1     |
| 35   | CT-D-1100014        | SWITCH COVER                                   | 1     |
| 36   | GB70. 1-M6×12       | INNER HEXA CYLINDRICAL SCREW                   | 2     |
| 37   | CT-D-2100005        | SPACER   | 2     |
| 38   | CT-D-2100011        | CONNECTION ROD                                 | 1     |
| 39   | CT-D-1100010        | REVERSE LEVER                                  | 1     |
| 40   | GB5783-M8×40        | HEXANGULAR BOLT                                | 1     |
| 41   | CT-D-2100012        | ROTATION SHAFT                                 | 1     |
| 42   | GB9074. 4-M4×16     | SCREW  | 1     |
| 43   | GB894. 1-14         | SHAFT ELATIC BIG RETAINING RING A-TYPE         | 2     |
| 44   | GB9074. 4-M5×25     | COMBINATION SCREW                              | 2     |



| ITEM | PART. No            | DESCRIPTION.              | QT. Y |
|------|---------------------|---------------------------|-------|
| 1    | CT-D-1110001        | VALVE BODY                | 1     |
| 2    | CT-D-1110003        | O-RING                    | 6     |
| 3    | CT-D-1110004        | SPACER                    | 5     |
| 4    | CT-D-1110005        | VALVE CAP                 | 1     |
| 5    | CT-D-2600001        | VALVE ROD                 | 1     |
| 6    | GB879. 1-4×20       | PIN                       | 1     |
| 7    | GB95-10             | FLAT WASHER               | 1     |
| 8    | GB845-ST2. 9×13 H C | SCREW                     | 3     |
| 9    | FPD 8-01            | MALE RUN TEE              | 1     |
| 10   | FPC 8-01            | MALE STRAIGHT             | 2     |
| 11   | FSK 01              | PLASTIC PARTICLE SILENCER | 2     |

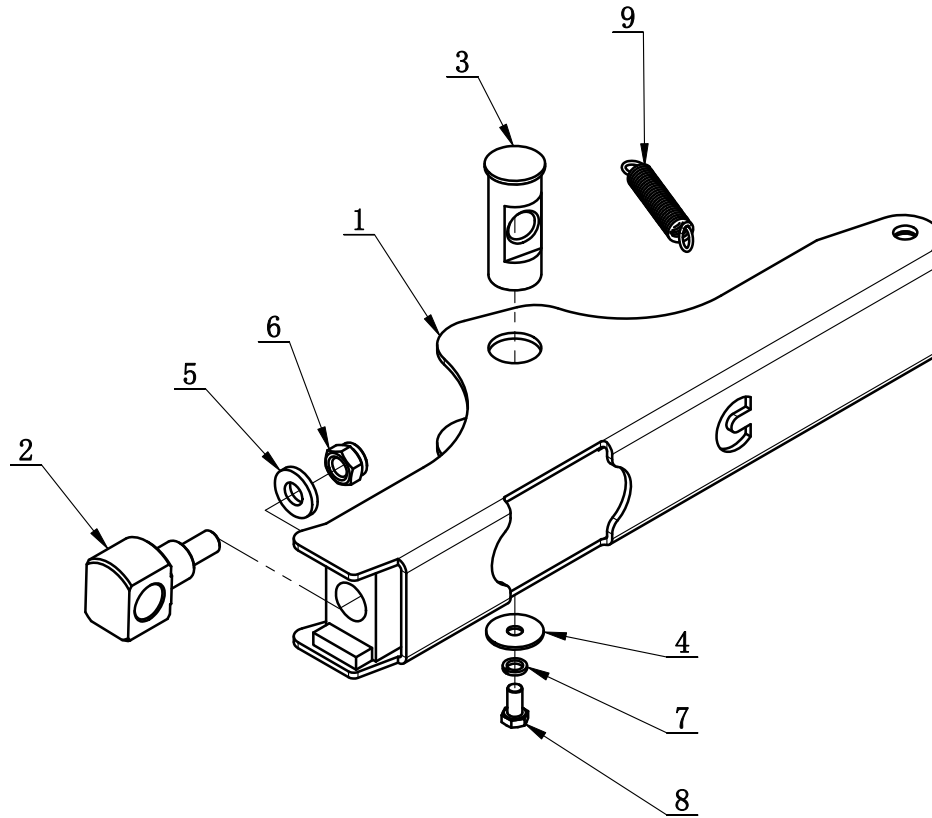


| ITEM | PART. No           | DESCRIPTION.                | QT. Y |
|------|--------------------|-----------------------------|-------|
| 1    | CT-D-1110001       | VALVE BODY                  | 1     |
| 2    | CT-D-1110003       | O-RING                      | 6     |
| 3    | CT-D-1110004       | SPACER                      | 5     |
| 4    | CT-D-1110005       | VALVE CAP                   | 1     |
| 5    | CT-D-2600003       | VALVE ROD                   | 1     |
| 6    | GB845-ST2.9×13 H C | CROSS PANHEAD TAPPING SCREW | 3     |
| 7    | FPB 8-01           | INSERT TEE, Φ8 , R1/8       | 1     |
| 8    | FPC 8-01           | MALE STRAIGHT               | 2     |
| 9    | FSK 01             | PLASTIC PARTICLE SILENCER   | 2     |



| ITEM | PART. No            | DESCRIPTION.             | QT. Y |
|------|---------------------|--------------------------|-------|
| 1    | CT-D-1110001        | VALVE BODY               | 1     |
| 2    | CT-D-1110003        | O-RING                   | 6     |
| 3    | CT-D-1110004        | SPACER                   | 5     |
| 4    | CT-D-1110005        | VALVE CAP                | 1     |
| 5    | CT-D-2600003        | VALVE ROD                | 1     |
| 6    | GB845-ST2. 9×13 H C | SCREW                    | 3     |
| 7    | FPL 8-01            | INSERT ELBOW Φ8, R1/8    | 1     |
| 8    | FPC 8-01            | MALE STRAIGHT            | 2     |
| 9    | FJSR 01             | BRASS REGULATOR SILENCER | 2     |

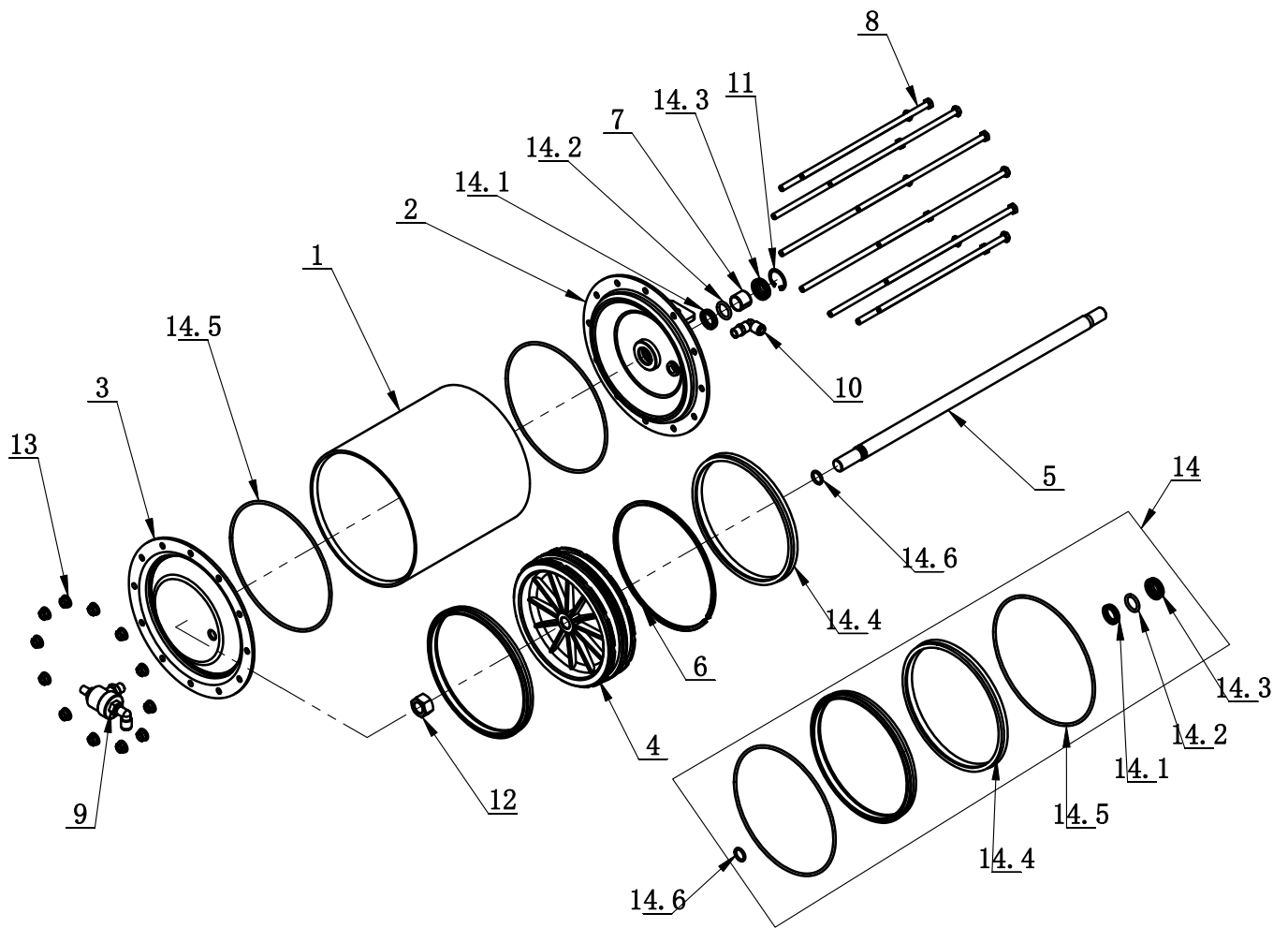
CT-B-9000000



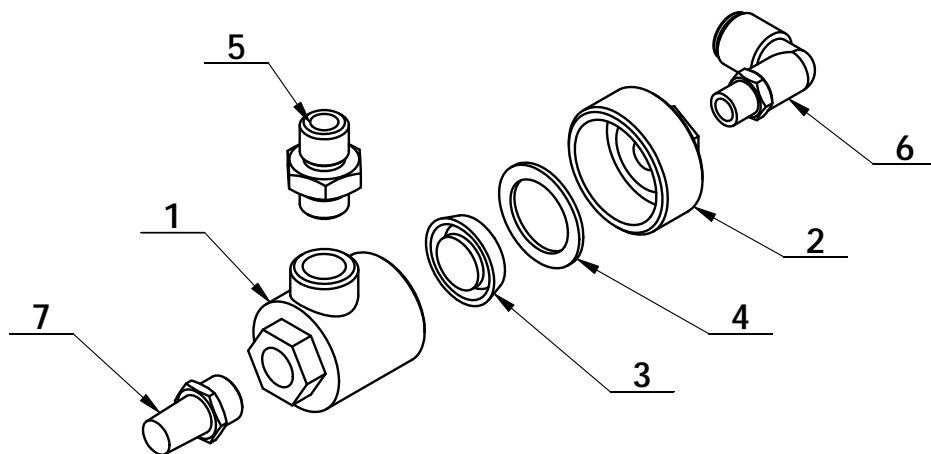
| ITEM | PART. No      | DESCRIPTION.                                   | QT. Y |
|------|---------------|--|-------|
| 1    | CT-B-9100000  | BEAD BREAKER ARM                               | 1     |
| 2    | CT-B-9000001  | TURN ROD                                       | 1     |
| 3    | CT-B-6000001  | CONNECT ROD                                    | 1     |
| 4    | CT-B-6000003  | PAD  | 1     |
| 5    | C-71-1000010  | WASHER   | 1     |
| 6    | GB889.1-M16   | 1-TYPE PREVAILING TORQUE TYPE HEXAGON LOCK NUT | 1     |
| 7    | GB93-10       | STANDARD SPRING WASHER                         | 1     |
| 8    | GB5783-M10×20 | HEXANGULAR BOLT                                | 1     |
| 9    | CT-B-2000002  | SPRING   | 1     |



CT-LS-B100000

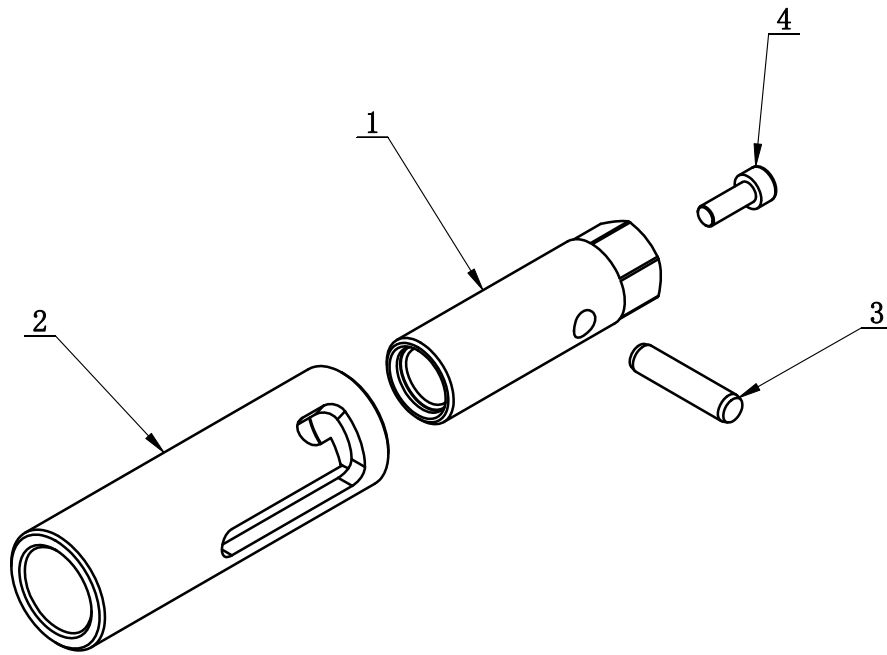


| ITEM | PART. No                       | DESCRIPTION.                             | QT. Y |
|------|--------------------------------|--|-------|
| 1    | CT-LS-B100001                  | CYLINDER BLOCK                           | 1     |
| 2    | CT-LS-B110000                  | CYLINDER COVER                           | 1     |
| 3    | CT-LS-B100002                  | CYLINDER COVER                           | 1     |
| 4    | CT-LS-B100003                  | PISTON                                   | 1     |
| 5    | CT-LS-B100004                  | CYLINDER PISTON ROD                      | 1     |
| 6    | CT-LS-B100005                  | CLAMP RING                               | 1     |
| 7    | TB-L-0303001                   | BERAING                                  | 1     |
| 8    | CT-LS-B100007                  | BOLT                                     | 12    |
| 9    | CT-LS-B120000                  | QUICK DEFLATE VALVE ON COVER             | 1     |
| 10   | S6520 8-1-4                    | INSERT ELBOW $\Phi 8$ , R1/4             | 1     |
| 11   | GB893. 2-30                    | ELASTIC RETAINING RING B-TYPE            | 1     |
| 12   | GB6171- M18 $\times$ 1.5       | NUT THIN TOOTH                           | 1     |
| 13   | GB6177. 1-M8                   | HEXA FLANGE NUT                          | 12    |
| 14   | CT-LS-B130000                  | CYCLINDER SEALING PARTS ASSEMBLY         | 1     |
| 14.1 | CT-LS-2400002                  | SEALING RING                             | 1     |
| 14.2 | GB3452. 1-20 $\times$ 3.55-G   | HYDRAULIC-PNEUMATIC RUBBER O-RING G TYPE | 1     |
| 14.3 | CT-Y-0160007                   | SEAL-ROD, CYLNDR                         | 1     |
| 14.4 | CT-LS-B100008                  | Y-RING                                   | 2     |
| 14.5 | GB3452. 1-195 $\times$ 3.55-G  | HYDRAULIC-PNEUMATIC RUBBER O-RING G TYPE | 2     |
| 14.6 | GB3452. 1-15.5 $\times$ 2.65-G | HYDRAULIC-PNEUMATIC RUBBER O-RING G TYPE | 1     |



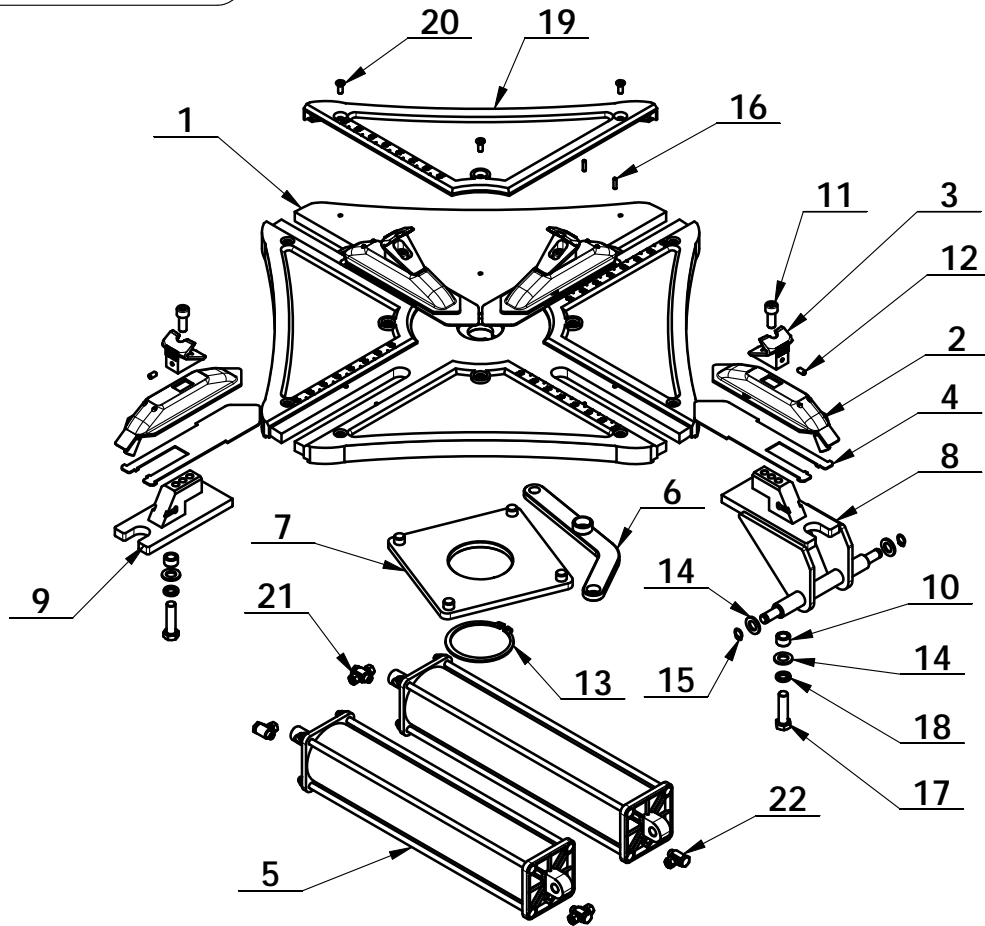
| ITEM | PART.No       | DESCRIPTION.                       | QT. Y |
|------|---------------|------------------------------------|-------|
| 1    | CT-LS-1310001 | LOWER COVER OF QUICK DEFLATE VALVE | 1     |
| 2    | CT-LS-1310002 | COVER OF QUICK DEFLATE VALVE       | 1     |
| 3    | CT-LS-1310003 | PISTON                             | 1     |
| 4    | CT-LS-1310004 | RUBBER WASHER                      | 1     |
| 5    | CT-LS-1310005 | DOUBLE SCREW R1/4                  | 1     |
| 6    | S6520 8-1-8   | INSERT ELBOW $\Phi 8$ , R1/8       | 1     |
| 7    | FSL 02        | BRASS SILENCER                     | 1     |

C-5B-1400000



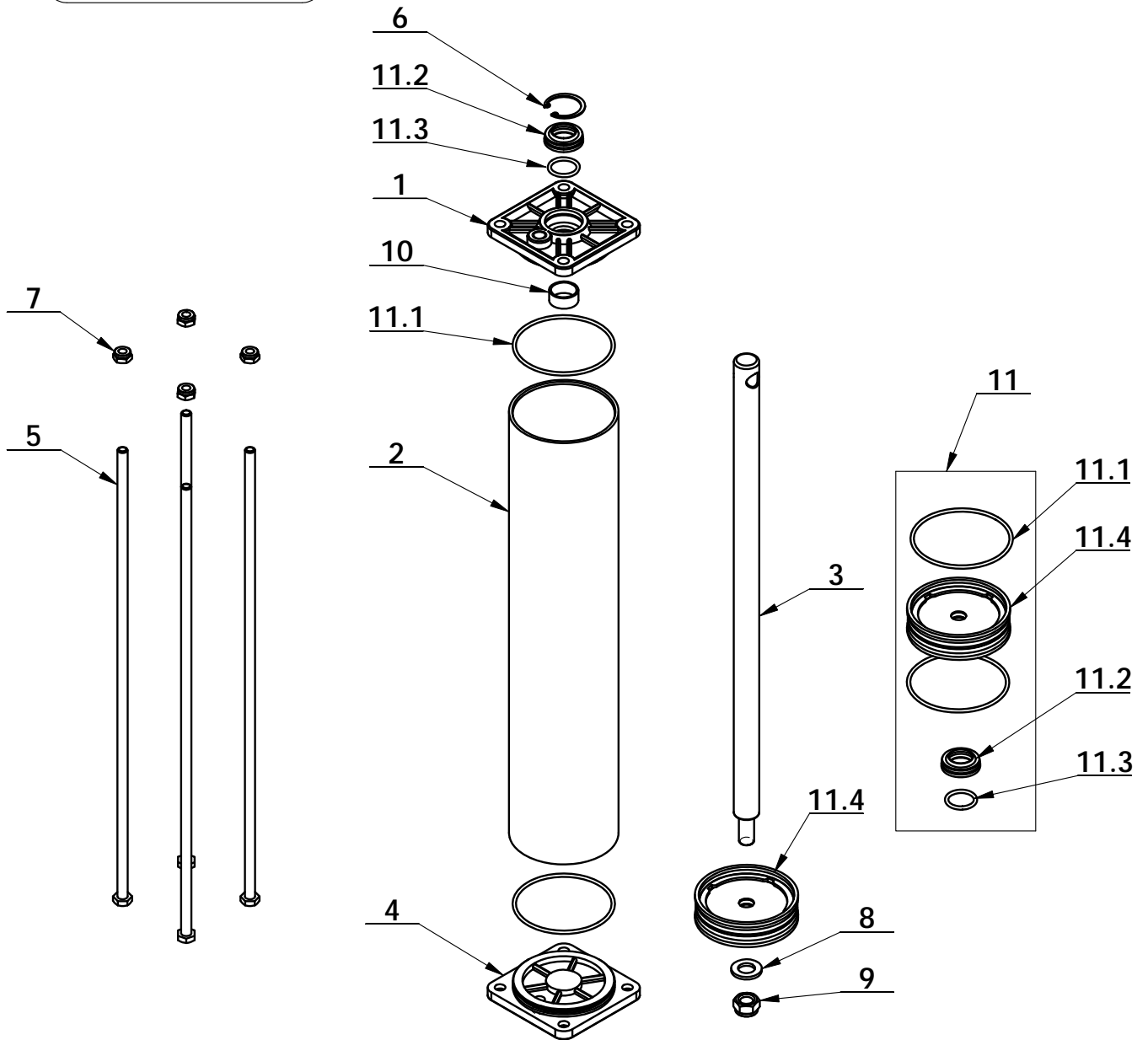
| ITEM | PART. No      | DESCRIPTION.                 | QT. Y |
|------|---------------|------------------------------|-------|
| 1    | C-5B-1400001  | FIXED AXIS                   | 1     |
| 2    | C-5B-1400002  | REGULATE                     | 1     |
| 3    | GB119. 1-8×35 | CYLINDRICAL PIN              | 1     |
| 4    | GB70. 1-M6×16 | INNER HEXA CYLINDRICAL SCREW | 1     |

CT-Y-5100000



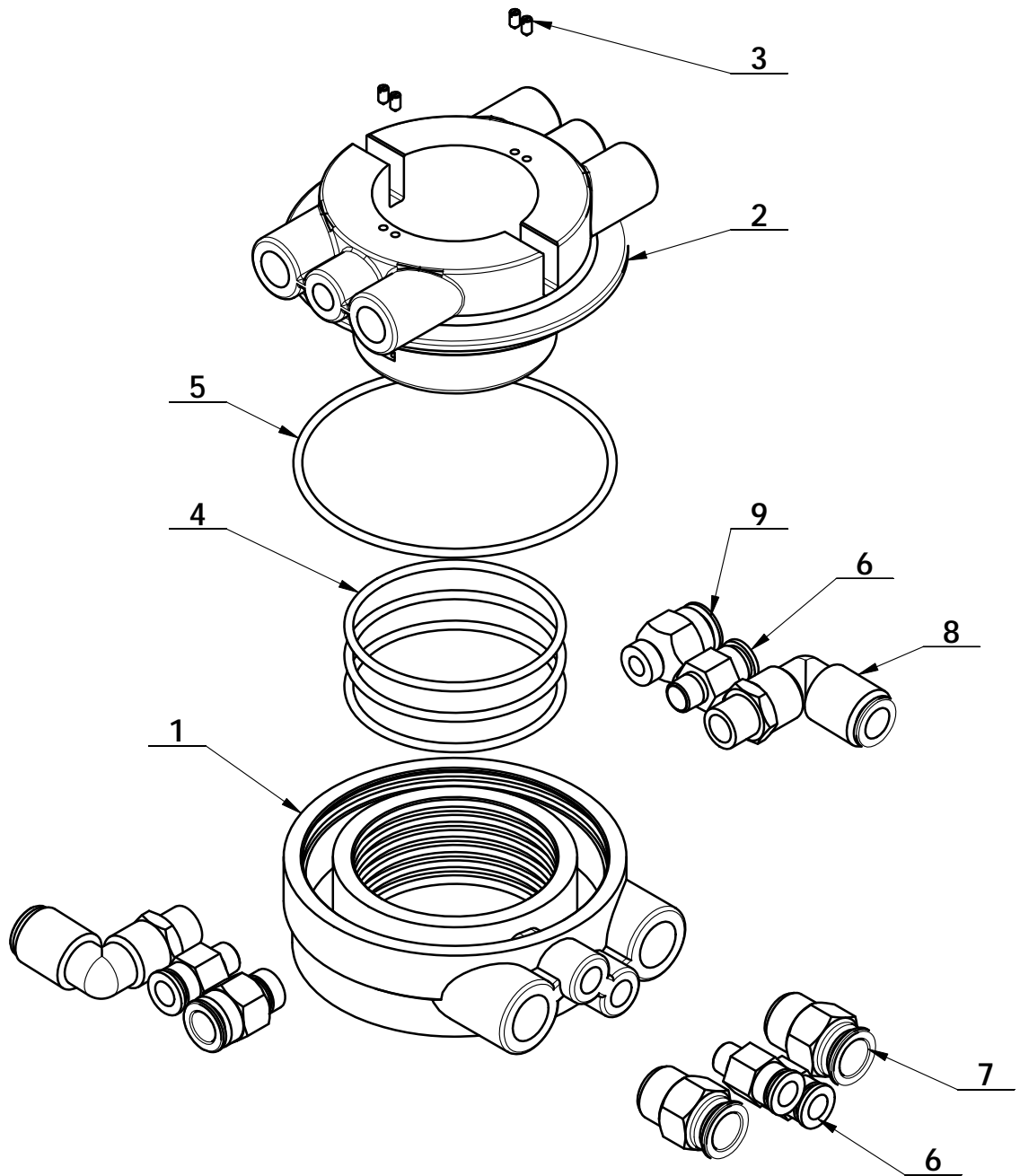
| ITEM | PART. No             | DESCRIPTION.                           | QT. Y |
|------|----------------------|--|-------|
| 1    | CT-Y-5040000         | TURNTABLE                              | 1     |
| 2    | CT-Y-5120000         | SLIDE COVER                            | 4     |
| 3    | CT-Y-5000002         | CLAMP                                  | 4     |
| 4    | CT-Y-5000004         | WEARABLE WASHER                        | 4     |
| 5    | CT-Y-5010000         | CYLINDER ASSEMBLY D80X350              | 2     |
| 6    | CT-Y-5020000         | CONNECTION PLATE                       | 4     |
| 7    | CT-Y-5030000         | SQUARE TURNTABLE                       | 1     |
| 8    | CT-Y-5070000         | CYLINDER BRACKET                       | 2     |
| 9    | CT-Y-5080000         | PRESS PLATE WELDING                    | 2     |
| 10   | CT-Y-0100003         | SPACER                                 | 4     |
| 11   | GB70. 1-M10×25-12. 9 | INNER HEXA CYLINDRICAL SCREW           | 4     |
| 12   | GB78-M6×12           | INNER HEXA CONIC TERMINUS SET SCREW    | 4     |
| 13   | GB894. 1-85          | SHAFT ELATIC BIG RETAINING RING A-TYPE | 1     |
| 14   | GB95-12              | FLAT WASHER                            | 8     |
| 15   | GB894. 1-12          | SHAFT ELATIC BIG RETAINING RING A-TYPE | 4     |
| 16   | GB879. 1-4×16        | ELASTIC CYLINDRICAL PIN, HEAVY         | 8     |
| 17   | GB5783-M12×45        | HEXANGULAR BOLT                        | 4     |
| 18   | GB93-12              | STANDARD SPRING WASHER                 | 4     |
| 19   | CT-Y-5000005         | PROTECTIVE COVER                       | 4     |
| 20   | GB70. 3-M6×16        | INNER COUNTER SUNK SCREW               | 12    |
| 21   | CT-Y-0100008         | HINGE ELBOW Φ8 G1/8                    | 2     |
| 22   | CT-Y-0100006         | HINGE ELBOW Φ8 G1/8                    | 2     |

CT-Y-5010000

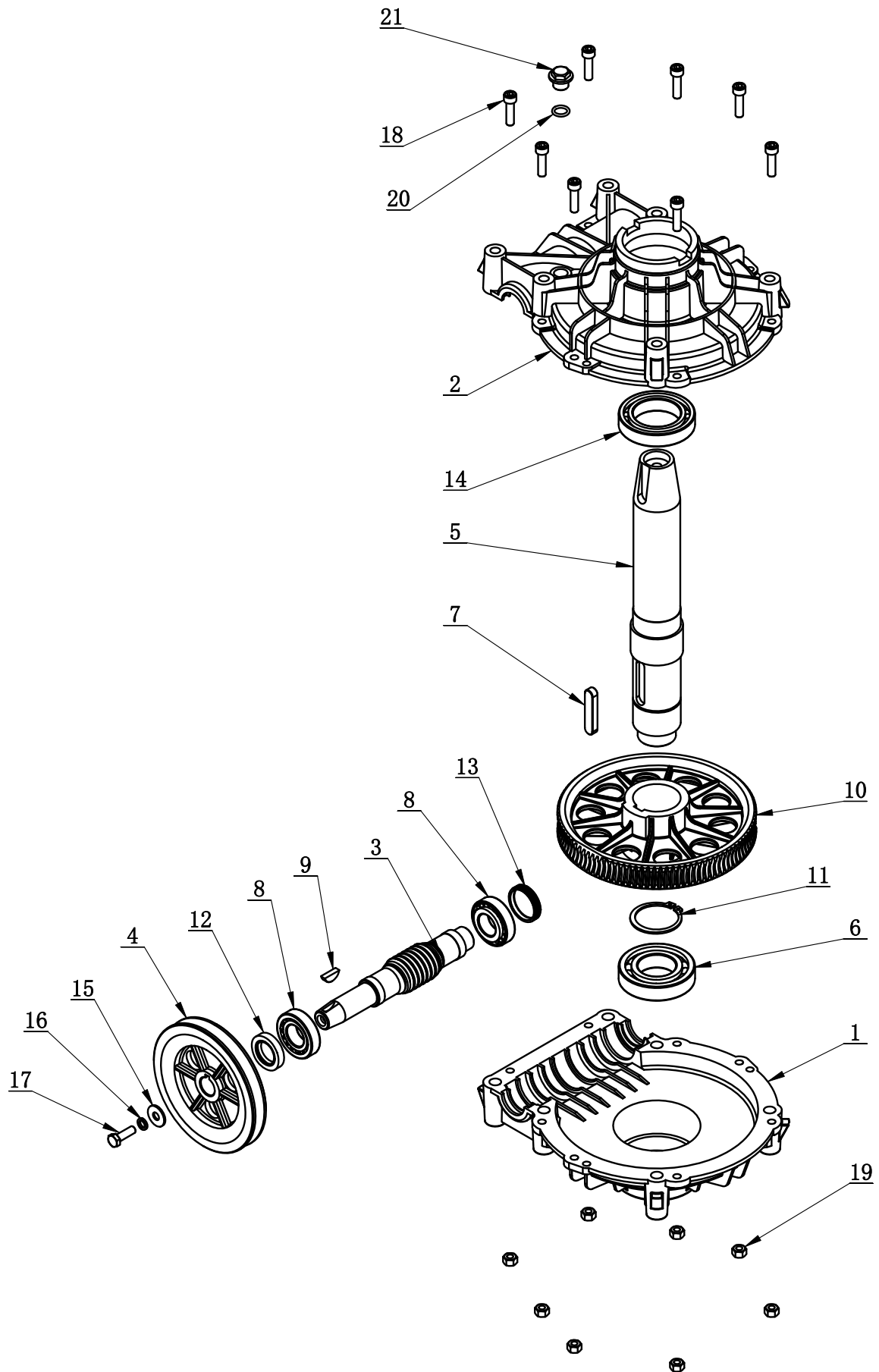


| ITEM  | PART. No           | DESCRIPTION.                                    | QT. Y |
|-------|--------------------|---|-------|
| 1     | CT-Y-4120004       | CYLINDER FRONT COVER                            | 1     |
| 2     | CT-Y-5010001       | CYLINDER 80MM                                   | 1     |
| 3     | CT-Y-5010002       | SHAFT-CLYDR                                     | 1     |
| 4     | CT-Y-4120005       | CAP-BASE, CYLNDR                                | 1     |
| 5     | CT-Y-5010003       | BOLT  | 4     |
| 6     | GB893. 1-30        | ELASTIC RETAINING RING A-TYPE                   | 1     |
| 7     | GB889. 1-M8        | 1-TYPE PREVAILING TORQUE TYPE HEXAGON LOCK NUT  | 4     |
| 8     | GB95-12            | FLAT WASHER                                     | 1     |
| 9     | GB889. 1-M12       | 1- TYPE PREVAILING TORQUE TYPE HEXAGON LOCK NUT | 1     |
| 10    | JH1 2010           | BEARING-SLIDE                                   | 1     |
| 11    | CT-Y-4121000       | CYLINDER SEALING PARTS ASSEMBLY                 | 1     |
| 11. 1 | GB3452. 1-75×2. 65 | HYDRAULIC-PNEUMATIC RUBBER O-RING G TYPE        | 2     |
| 11. 2 | CT-Y-0160007       | SEAL-ROD, CYLNDR                                | 1     |
| 11. 3 | GB3452. 1-20×2. 65 | HYDRAULIC-PNEUMATIC RUBBER O-RING G TYPE        | 1     |
| 11. 4 | CT-Y-4120006       | PISTON  | 1     |

CT-Q-4000000



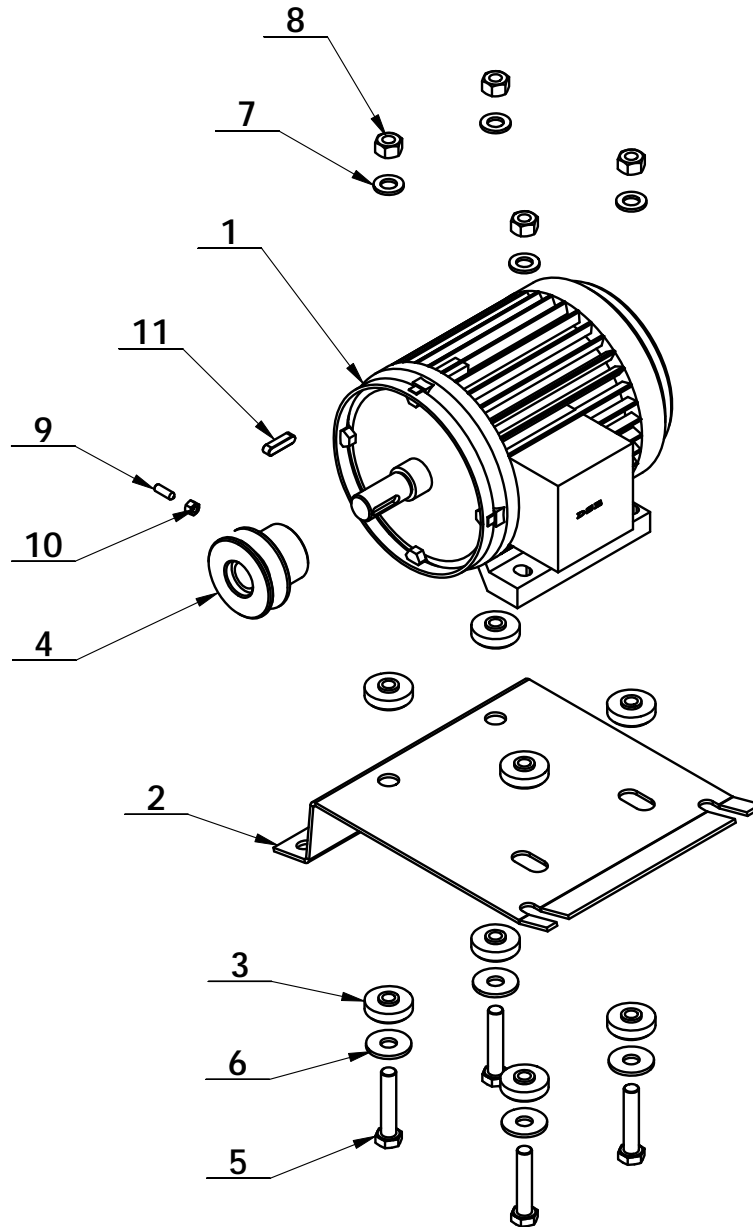
| ITEM | PART. No             | DESCRIPTION.                             | QT. Y |
|------|----------------------|--|-------|
| 1    | CT-Q-2000001         | FIXED BODY OF AIR GUIDE                  | 1     |
| 2    | CT-Q-2000002         | ROTATING BODY OF AIR GUIDER              | 1     |
| 3    | GB71-M3×6            | SLOTTED CONIC HEAD SET SCREW             | 4     |
| 4    | GB3452. 1-60×2. 65-G | HYDRAULIC-PNEUMATIC RUBBER O-RING G TYPE | 3     |
| 5    | GB3452. 1-90×2. 65-G | HYDRAULIC-PNEUMATIC RUBBER O-RING G TYPE | 1     |
| 6    | FPC 8-01             | MALE STRAIGHT                            | 4     |
| 7    | FPC 12-03            | MALE STRAIGHT                            | 2     |
| 8    | FPL 10-02            | MALE ELBOW                               | 2     |
| 9    | FPC 10-02            | MALE STRAIGHT                            | 2     |



| ITEM | PART. No                | DESCRIPTION.                             | QT. Y |
|------|-------------------------|--|-------|
| 1    | CT-J-0000005            | GEARBOX                                  | 1     |
| 2    | CT-J-0000006            | GEARBOX TOP                              | 1     |
| 3    | CT-J-0000004            | WORM ROD                                 | 1     |
| 4    | CT-J-0000007            | BELT PULLEY                              | 1     |
| 5    | CT-J-0000002            | WORM SHAFT                               | 1     |
| 6    | GB276-6208              | BEARING                                  | 1     |
| 7    | GB1096-12×8×56          | COMMON FLAT KEY                          | 1     |
| 8    | GB297-30205             | BEARING                                  | 2     |
| 9    | GB1099. 1-6×9×22        | COMMON SEMI-CIRCULAR KEY                 | 1     |
| 10   | CT-J-0000003            | WORM                                     | 1     |
| 11   | GB894. 1-50             | RETAINING RING A-TYPE                    | 1     |
| 12   | FB25-40 GB13871. 92     | SEALED RING                              | 1     |
| 13   | CT-J-0100000            | CAP                                      | 1     |
| 14   | GB276-6010              | DEEP GROOVE BALL BEARINGS                | 1     |
| 15   | GB96. 2-8               | LARGE WASHER C GRADE                     | 1     |
| 16   | GB93-8                  | STANDARD SPRING WASHER                   | 1     |
| 17   | GB5783-M8×25            | HEXANGULAR BOLT                          | 1     |
| 18   | GB70. 1-M8×30           | INNER HEXA CYLINDRICAL SCREW             | 8     |
| 19   | GB41-M8                 | HEXANGULAR NUT                           | 8     |
| 20   | GB3452. 1-13. 2×2. 65-G | HYDRAULIC-PNEUMATIC RUBBER O-RING G TYPE | 1     |
| 21   | TC-10-1400013           | BOLT                                     | 1     |

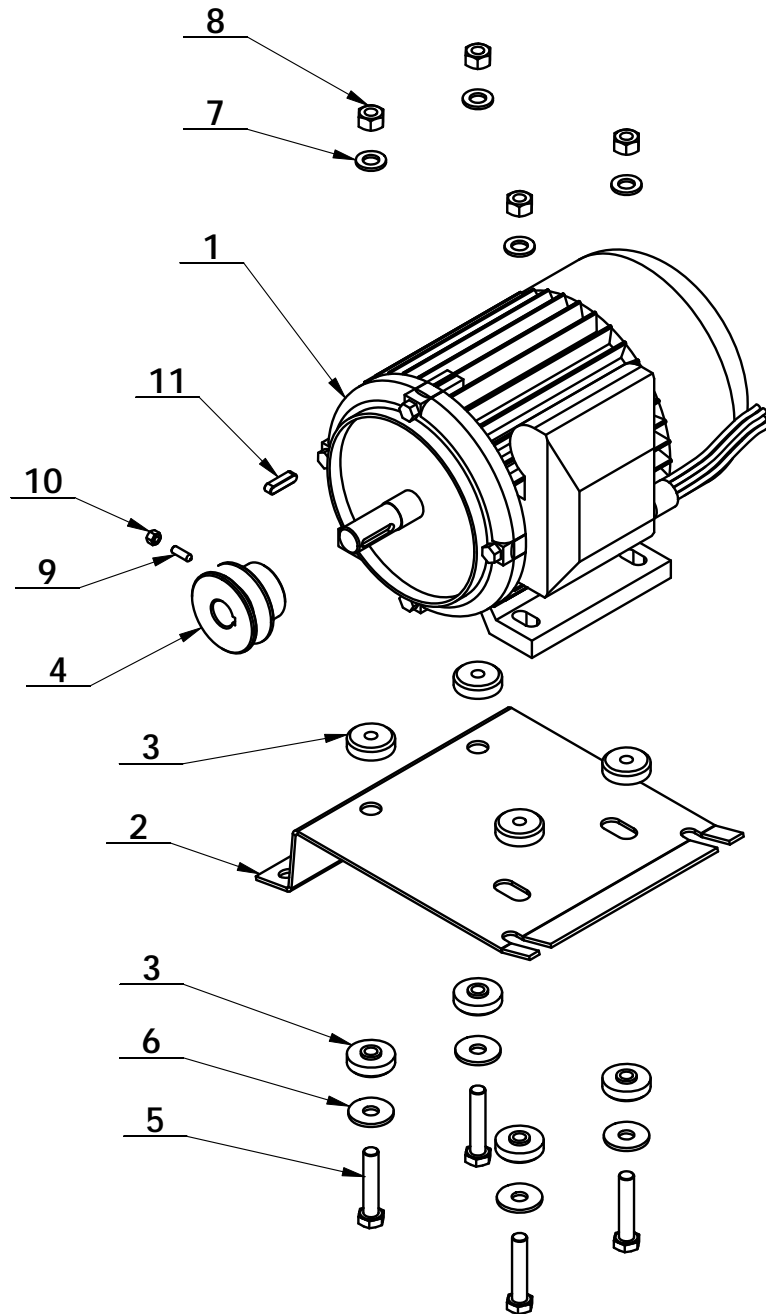


CT-DJ-0430322

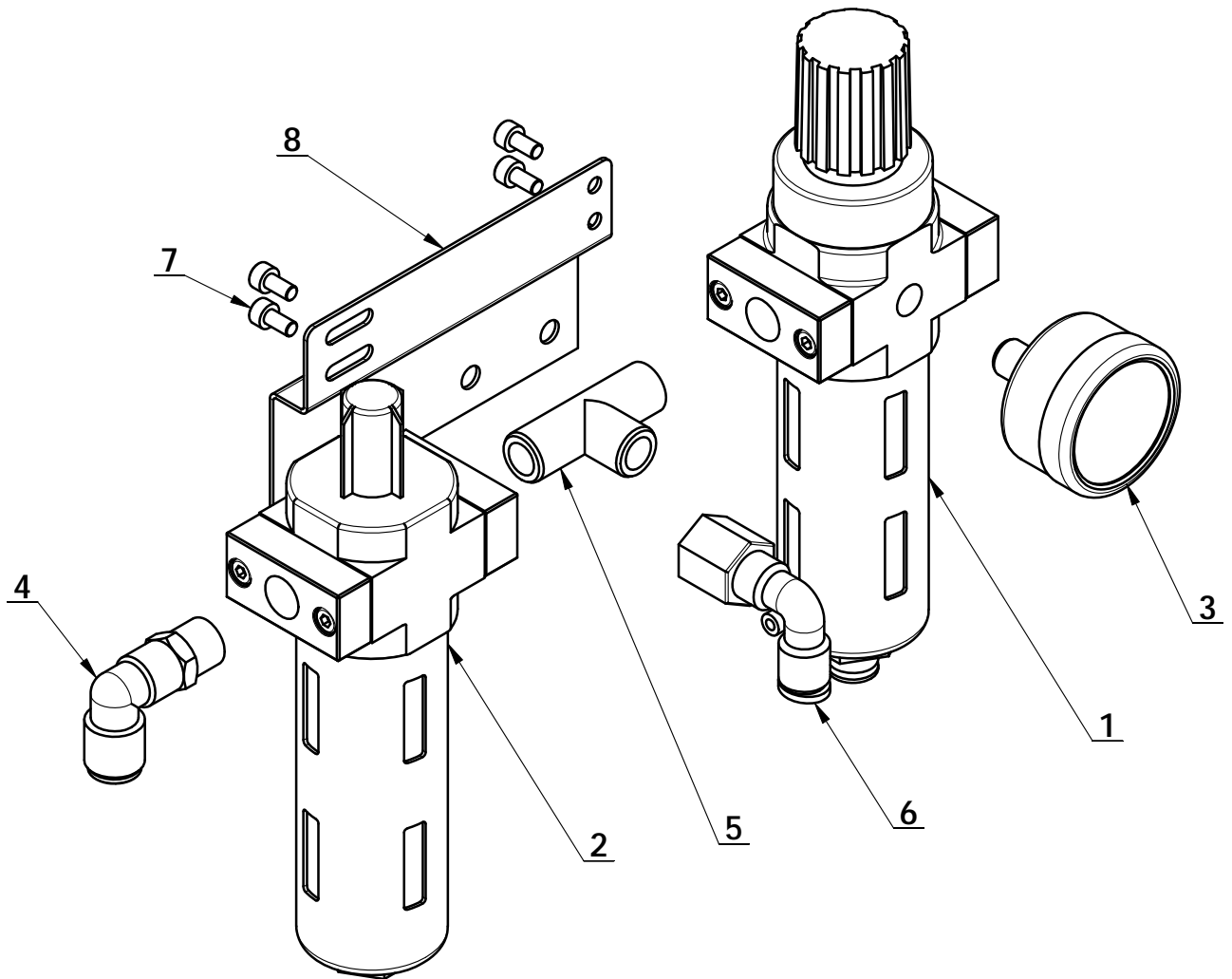


| ITEM | PART. No      | DESCRIPTION.                        | QT. Y |
|------|---------------|-------------------------------------|-------|
| 1    | CT-DJ-0030322 | MOTOR (200V, 50/60Hz, 3P, 0.75Kw)   | 1     |
| 2    | CT-DJ-0000001 | MOTOR SUPPORT                       | 1     |
| 3    | CT-DJ-0000002 | RUBBER WASHER                       | 8     |
| 4    | CT-DJ-0000004 | PULLEY                              | 1     |
| 5    | GB5783-M10×50 | HEXANGULAR BOLT                     | 4     |
| 6    | GB96. 2-10    | LARGE WASHER C GRADE                | 4     |
| 7    | GB95-10       | FLAT WASHER                         | 4     |
| 8    | GB41-M10      | HEXANGULAR NUT                      | 4     |
| 9    | GB78-M5×16    | INNER HEXA CONIC TERMINUS SET SCREW | 1     |
| 10   | GB41-M5       | NUT                                 | 1     |
| 11   | GB1096-6×6×25 | COMMON FLAT KEY                     | 1     |

CT-DJ-021A312

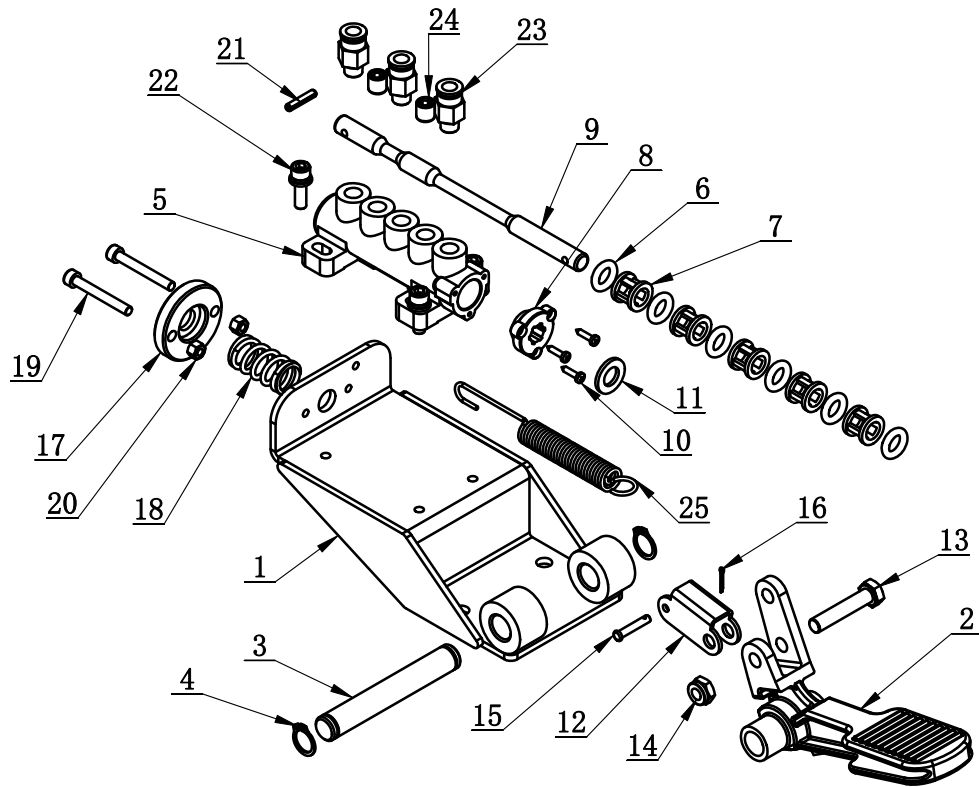


| ITEM | PART. No      | DESCRIPTION.                        | QT. Y |
|------|---------------|-------------------------------------|-------|
| 1    | CT-DJ-001A312 | MOTOR (100V, 50/60Hz, 1P, 1.1Kw)    | 1     |
| 2    | CT-DJ-0000001 | MOTOR SUPPORT                       | 1     |
| 3    | CT-DJ-0000002 | RUBBER WASHER                       | 8     |
| 4    | CT-DJ-0000003 | MOTOR BELT PULLEY                   | 1     |
| 5    | GB5783-M10×50 | HEXANGULAR BOLT                     | 4     |
| 6    | GB96. 1-10    | LARGE WASHER A GRADE                | 4     |
| 7    | GB95-10       | FLAT WASHER                         | 4     |
| 8    | GB41-M10      | HEXANGULAR NUT                      | 4     |
| 9    | GB78-M5×16    | INNER HEXA CONIC TERMINUS SET SCREW | 1     |
| 10   | GB41-M5       | NUT                                 | 1     |
| 11   | GB1096-6×6×25 | COMMON FLAT KEY                     | 1     |



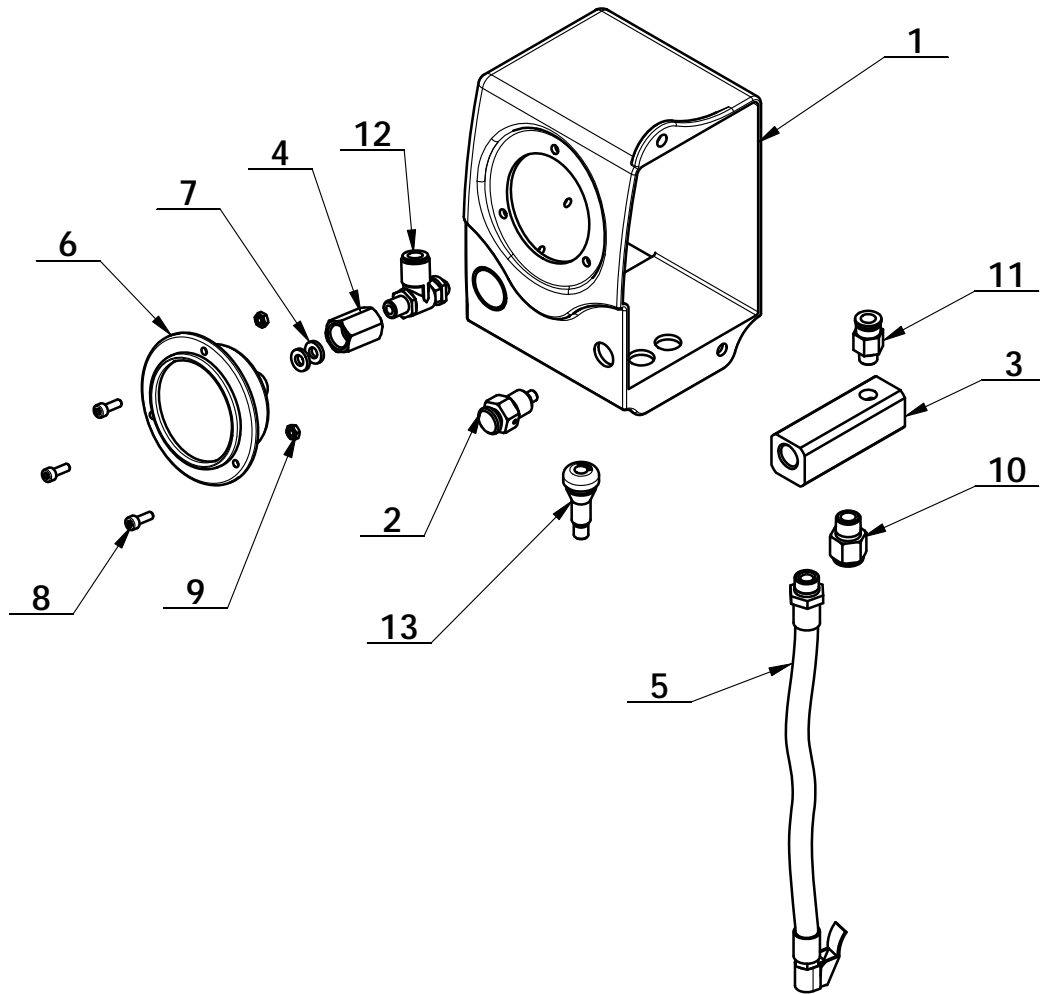
| ITEM | PART. No              | DESCRIPTION.                        | QT. Y |
|------|-----------------------|-------------------------------------|-------|
| 1    | CT-F-2000010          | PRESSURE ADJUST VALVE AND WATER CUP | 1     |
| 2    | CT-F-2000020          | OIL CUP                             | 1     |
| 3    | CT-F-2000003          | PRESSURE GAUGE                      | 1     |
| 4    | FPL 8-02              | INSERT ELBOW $\Phi 8, R1/4$         | 1     |
| 5    | PEH 02-02             | FEMALE UNION TEE                    | 1     |
| 6    | FPLF8-02              | INSERT ELBOW $\phi 8, R1/4$         | 1     |
| 7    | GB70. 1-M4 $\times$ 8 | INNER HEXA CYLINDRICAL SCREW        | 4     |
| 8    | CT-F-2000040          | AIR REGULATOR BRACKET               | 1     |

CT-K-1D00000



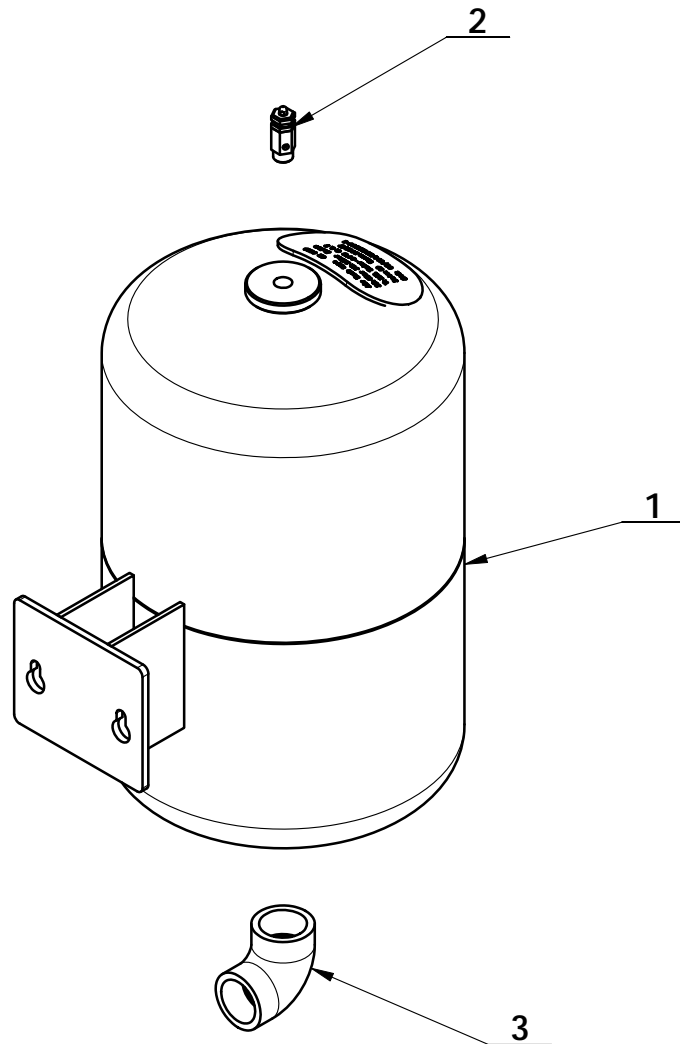
| ITEM | PART. No                   | DESCRIPTION.                                   | QT. Y |
|------|----------------------------|--|-------|
| 1    | CT-K-1A10000               | PEDAL BRACKET                                  | 1     |
| 2    | CT-D-9100001               | PEDAL  | 1     |
| 3    | CT-K-1100006               | SHAFT  | 1     |
| 4    | GB894. 1-14                | SHAFT ELATIC BIG RETAINING RING A-TYPE         | 2     |
| 5    | CT-D-1110001               | VALVE BODY                                     | 1     |
| 6    | CT-K-1100009               | O-RING   | 6     |
| 7    | CT-D-1110004               | SPACER   | 5     |
| 8    | CT-D-1110005               | VALVE CAP                                      | 1     |
| 9    | CT-K-1A00002               | VALVE STEM                                     | 1     |
| 10   | GB845-ST2. 9×13 H C        | CROSS PANHEAD TAPPING SCREW                    | 3     |
| 11   | GB95-10                    | FLAT WASHER                                    | 1     |
| 12   | CT-D-5100005               | CONNECTION PART                                | 1     |
| 13   | GB5783-M8×40               | HEXANGULAR BOLT                                | 1     |
| 14   | GB889. 1-M8                | 1-TYPE PREVAILING TORQUE TYPE HEXAGON LOCK NUT | 1     |
| 15   | GB882-4×22                 | PIN SHAFT                                      | 1     |
| 16   | GB91-1. 6×10               | SLOTTED PIN                                    | 1     |
| 17   | CT-K-1100002               | MOVABLE PLATE                                  | 1     |
| 18   | CT-K-1100003               | SPRING   | 1     |
| 19   | GB70. 1-M5×40              | INNER HEXA CYLINDRICAL SCREW                   | 2     |
| 20   | GB41-M5                    | NUT  | 2     |
| 21   | GB879. 1-4×20              | PIN  | 1     |
| 22   | GB9074-M6×20               | COMBINATION SCREW                              | 3     |
| 23   | FPC 8-01                   | MALE STRAIGHT                                  | 3     |
| 24   | JB / ZQ4447-1997-G1 / 8×10 | SCREWS PLUG G1/8×10                            | 2     |
| 25   | CT-K-1A00001               | SPRING   | 1     |

CT-K-3400000



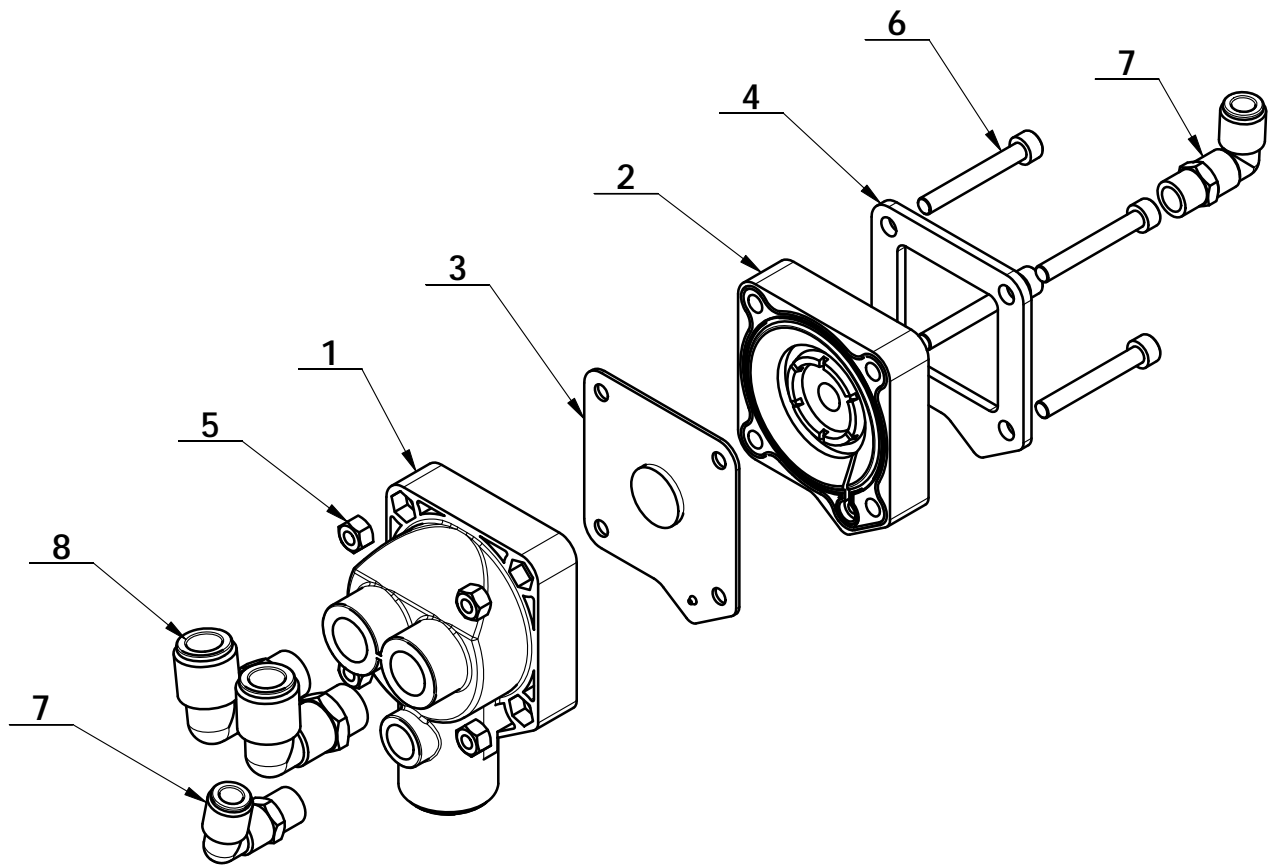
| ITEM | PART. No      | DESCRIPTION.                 | QT. Y |
|------|---------------|------------------------------|-------|
| 1    | CT-K-3100001  | PRESSURE GAUGE COVER         | 1     |
| 2    | CT-K-3110000  | EXHAUST VALVE ASSEMBLY       | 1     |
| 3    | CT-K-3120000  | AIR DISTRIBUTING VALVE       | 1     |
| 4    | CT-K-3100002  | CONNECT NUT                  | 1     |
| 5    | CT-K-3100003  | INFLATING HOSE               | 1     |
| 6    | CT-K-3100004  | PRESSURE GAUGE               | 1     |
| 7    | TC-10-1620003 | AIR REGULATOR WASHER         | 2     |
| 8    | GB70.1-M4×12  | INNER HEXA CYLINDRICAL SCREW | 3     |
| 9    | GB6170-M4     | HEXANGULAR NUT 1-TYPE        | 3     |
| 10   | FPC 8-02      | MALE STRAIGHT                | 1     |
| 11   | FPC 8-01      | MALE STRAIGHT                | 1     |
| 12   | FJSC-J8-01    | ELBOW SPEED CONTROLLER       | 1     |
| 13   | CT-K-3100006  | AIR VALVE                    | 1     |

CT-K-4100000

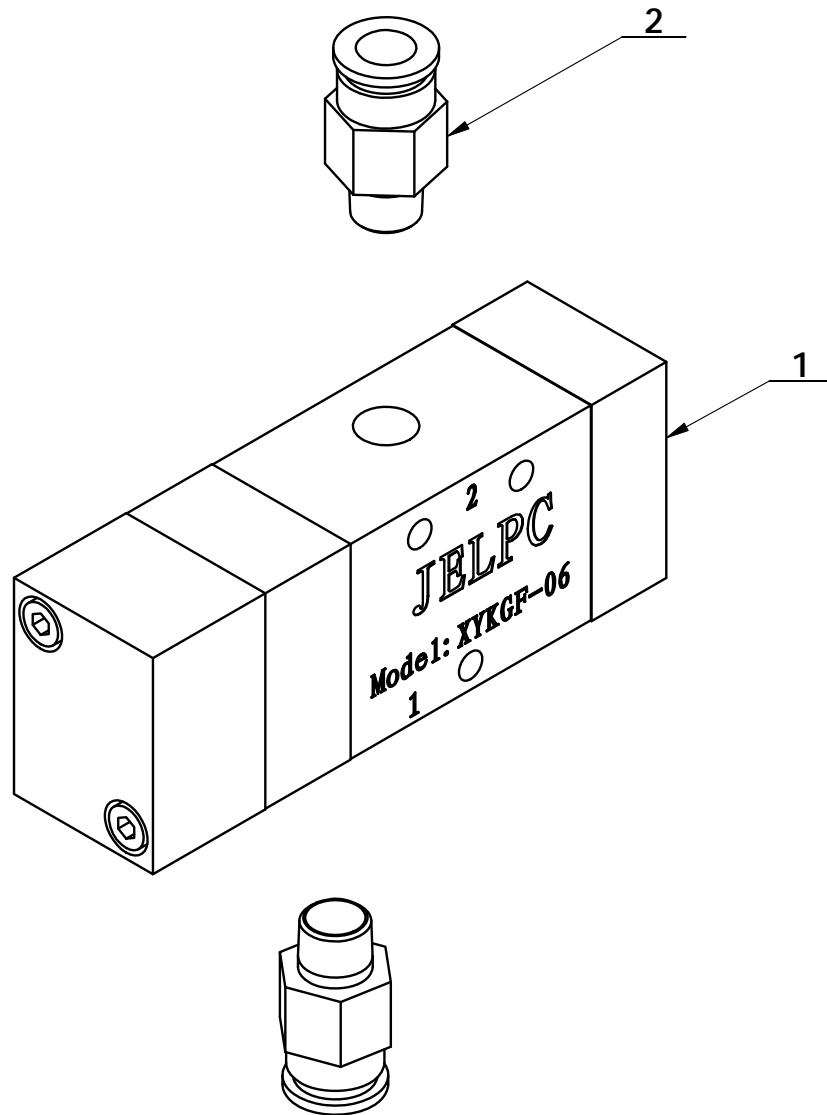


| ITEM | PART. No     | DESCRIPTION. | QT. Y |
|------|--------------|--------------|-------|
| 1    | CT-K-4110000 | AIR TANK     | 1     |
| 2    | CT-K-4100001 | SAFE VALVE   | 1     |
| 3    | WT-1-G       | ELBOW G1     | 1     |

CT-K-2200000



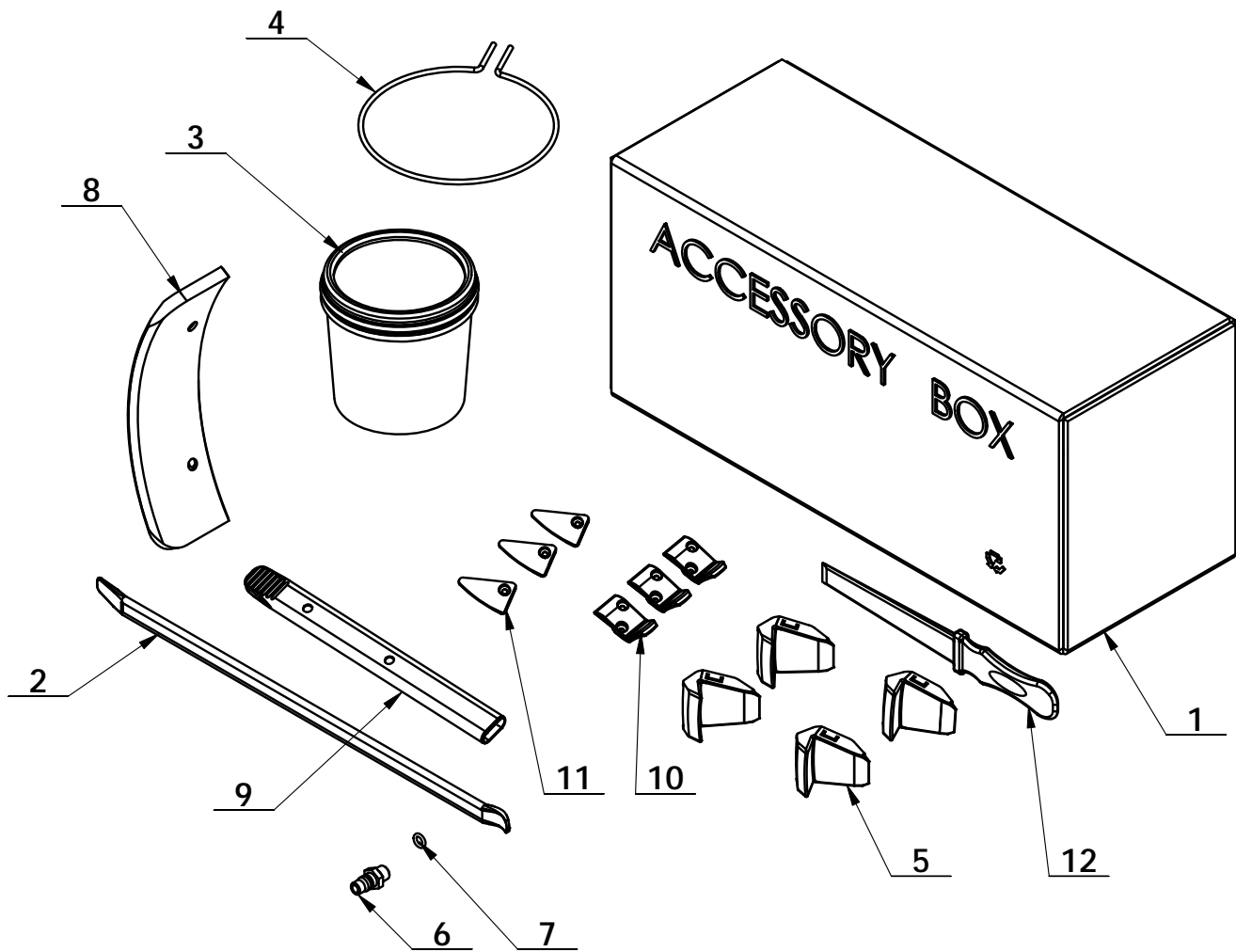
| ITEM | PART. No      | DESCRIPTION.                 | QT. Y |
|------|---------------|------------------------------|-------|
| 1    | CT-K-2200002  | BOTTOM COVER                 | 1     |
| 2    | CT-K-2200001  | UPPER COVER                  | 1     |
| 3    | CT-K-2210000  | PANEL                        | 1     |
| 4    | CT-K-2200003  | WASHER                       | 1     |
| 5    | GB41-M6       | HEXANGULAR NUT               | 4     |
| 6    | GB70. 1-M6×45 | INNER HEXA CYLINDRICAL SCREW | 4     |
| 7    | FPL 8-02      | INSERT ELBOW $\Phi 8, R1/4$  | 2     |
| 8    | FPL 12-03     | INSERT ELBOW $\Phi 12, R3/8$ | 2     |



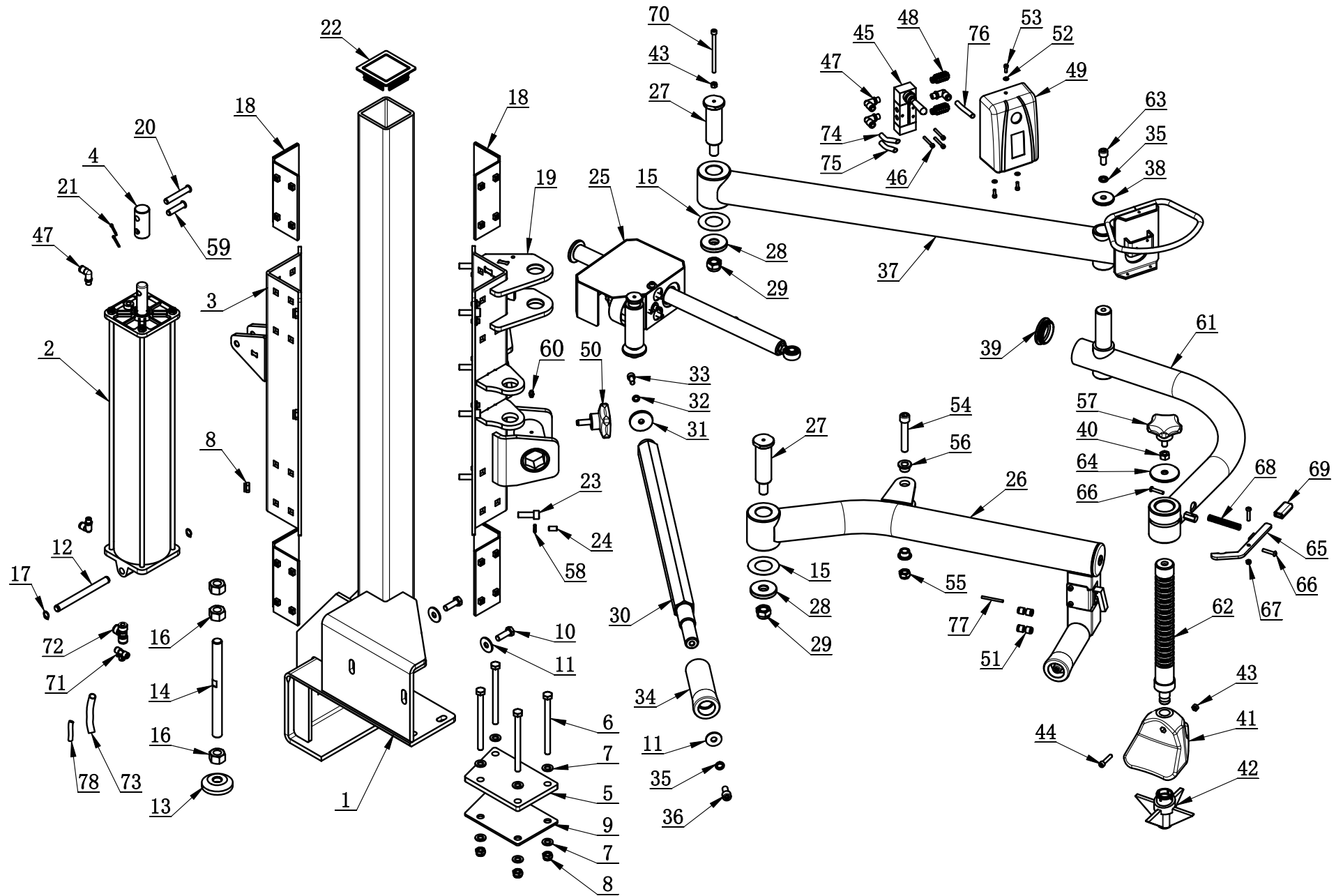
| ITEM | PART. No     | DESCRIPTION.  | QT. Y |
|------|--------------|---------------|-------|
| 1    | C-A1-1710001 | RELIEF VALVE  | 1     |
| 2    | FPC 8-01     | MALE STRAIGHT | 2     |



C-9C-8000000A



| ITEM | PART. No          | DESCRIPTION.                             | QT. Y |
|------|-------------------|--|-------|
| 1    | C-54-8000002      | ACCESSORY BOX                            | 1     |
| 2    | C-54-8000003      | 20INCH CROWBAR                           | 1     |
| 3    | C-54-8100000      | GREASE CONTAINER                         | 1     |
| 4    | C-54-8000004      | BRACKET                                  | 1     |
| 5    | CT-Y-5000007      | CLAMP PROTECTION COVER                   | 4     |
| 6    | C-54-8000011      | AIR SUPPLY CONNECTOR                     | 1     |
| 7    | GB3452. 1-8×2. 65 | HYDRAULIC-PNEUMATIC RUBBER O-RING G TYPE | 1     |
| 8    | C-90-1000013      | COVER                                    | 1     |
| 9    | C-54-8000019      | CROWBAR JACKET                           | 1     |
| 10   | C-8R-1A40013      | SHEATH                                   | 3     |
| 11   | C-8R-1A40014      | PROTECTIVE PAD                           | 3     |
| 12   | C-8A-8000001      | PLASTIC CROWBAR                          | 1     |



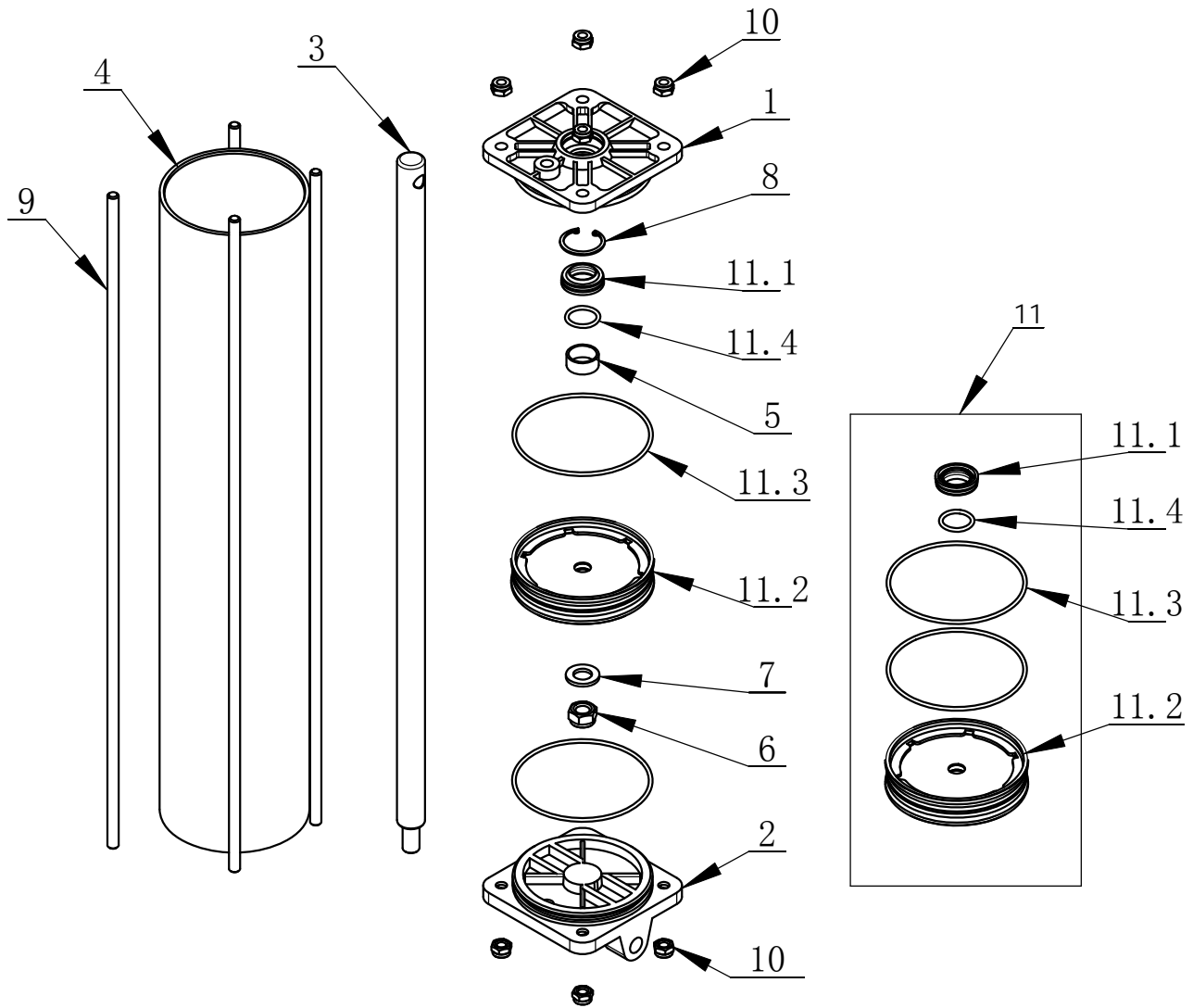
H-81-2000000

| ITEM | PART. No          | DESCRIPTION.                                   | QT. Y |
|------|-------------------|--|-------|
| 1    | H-81-2001000      | VERTICAL COLUMN                                | 1     |
| 2    | H-81-2002000      | LIFTING CYLINDER ASSEMBLY                      | 1     |
| 3    | H-80-1220000      | BACK SLIDE PLATE                               | 1     |
| 4    | H-80-1000004      | CONNET SHAFT                                   | 1     |
| 5    | H-30-1000007      | BOTTOM FLAT PLATE                              | 1     |
| 6    | GB5782-M10×130    | HEXANGULAR BOLT                                | 4     |
| 7    | GB95-10           | FLAT WASHER                                    | 8     |
| 8    | GB889. 1-M10      | 1-TYPE PREVAILING TORQUE TYPE HEXAGON LOCK NUT | 10    |
| 9    | H-30-1000008      | PAD PLATE                                      | 1     |
| 10   | GB5783-M10×30     | HEXANGULAR BOLT                                | 2     |
| 11   | GB96. 1-10        | LARGE WASHER A GRADE                           | 3     |
| 12   | H-80-1000007      | CYLINDER SHAFT                                 | 1     |
| 13   | H-80-1000005      | FOUNDATION PLATE                               | 1     |
| 14   | H-80-1000014      | BOLT   | 1     |
| 15   | H-80-1000008      | ADJUSTING WASHER                               | 2     |
| 16   | GB41-M18          | HEXANGULAR NUT                                 | 3     |
| 17   | GB894. 1-12       | SHAFT ELATIC BIG RETAINING RING A-TYPE         | 2     |
| 18   | H-80-1200001      | GUIDEWAY BOARD                                 | 8     |
| 19   | H-81-2005000      | FRONT SLIDE PLATE                              | 1     |
| 20   | GB882-10×60       | PIN SHAFT                                      | 1     |
| 21   | GB91-3. 2×14      | SLOTTED PIN                                    | 2     |
| 22   | H-80-1000002      | COVER  | 1     |
| 23   | GB70. 1-M10×30    | INNER HEXA CYLINDRICAL SCREW                   | 6     |
| 24   | GB77-M8×16        | INNER HEXA FLAT TERMINUS SET SCREW             | 7     |
| 25   | H-81-2004000A     | LOCKING MECHANISM ASSEMBLY                     | 1     |
| 26   | H-81-2003000      | PRESS ARM ASSEMBLY                             | 1     |
| 27   | H-80-1000001B     | VERTICAL SHAFT                                 | 2     |
| 28   | C-54-1000009      | SHAFT WASHER                                   | 2     |
| 29   | GB889. 1-M16      | 1-TYPE PREVAILING TORQUE TYPE HEXAGON LOCK NUT | 2     |
| 30   | H-80-1500001A     | PRESS SHAFT                                    | 1     |
| 31   | H-80-1500002      | BLOCK WASHER                                   | 1     |
| 32   | GB93-8            | STANDARD SPRING WASHER                         | 1     |
| 33   | GB70. 1-M8×16     | INNER HEXA CYLINDRICAL SCREW                   | 1     |
| 34   | H-30-1000003      | PRESS CONE                                     | 1     |
| 35   | GB93-10           | STANDARD SPRING WASHER                         | 2     |
| 36   | GB70. 1-M10×20-LH | INNER HEXA CYLINDRICAL SCREW                   | 1     |
| 37   | H-80-1410000      | SUPPORT ARM                                    | 1     |
| 38   | H-10-1000005      | WASHER   | 1     |
| 39   | H-10-1000008      | ROUND COVER                                    | 1     |
| 40   | GB41-M10          | HEXANGULAR NUT                                 | 1     |

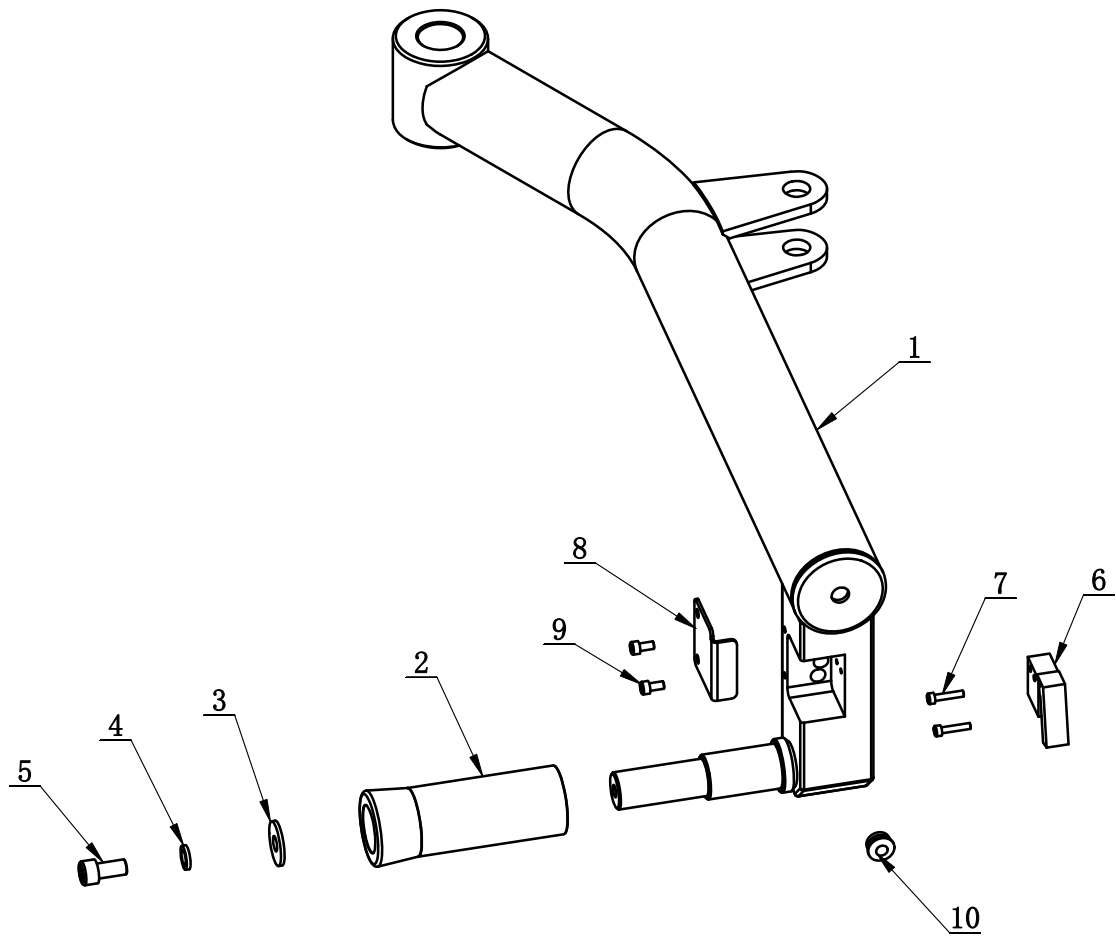
H-81-2000000

| ITEM | PART. No       | DESCRIPTION.                                    | QT. Y |
|------|----------------|---|-------|
| 41   | H-80-1001001   | PRESSURE BLOCK                                  | 1     |
| 42   | H-80-1001002   | PRESSURE CONE                                   | 1     |
| 43   | GB41-M6        | HEXANGULAR NUT                                  | 2     |
| 44   | GB70. 1-M6×30  | INNER HEXA CYLINDRICAL SCREW                    | 1     |
| 45   | 4H230-06A      | CONTROL VALVE                                   | 1     |
| 46   | GB70. 1-M4×30  | INNER HEXA CYLINDRICAL SCREW                    | 3     |
| 47   | FPL 6-01       | MALE ELBOW                                      | 5     |
| 48   | FSK 01         | PLASTIC PARTICLE SILENCER                       | 2     |
| 49   | H-10-1000020   | HANDLE VALVE COVER                              | 1     |
| 50   | H-80-1003000   | HAND OF FIVE STARS                              | 1     |
| 51   | FPG 6-4        | DIFFERENT DIA OF UNION STRAIGHT                 | 2     |
| 52   | GB95-4         | FLAT WASHER                                     | 3     |
| 53   | GB70. 1-M4×12  | INNER HEXA CYLINDRICAL SCREW                    | 3     |
| 54   | GB70. 1-M12×70 | INNER HEXA CYLINDRICAL SCREW                    | 1     |
| 55   | GB889. 1-M12   | 1- TYPE PREVAILING TORQUE TYPE HEXAGON LOCK NUT | 1     |
| 56   | H-81-2000008   | SPACER BUSH                                     | 2     |
| 57   | H-80-1000013   | THE STAR HANDLE M10-20                          | 1     |
| 58   | GB6172. 1-M8   | HEXANGULAR THIN NUT                             | 7     |
| 59   | GB882-10×40    | PIN SHAFT                                       | 1     |
| 60   | TC-10-8400006  | OIL BOTTLE                                      | 1     |
| 61   | H-80-1330100A  | ROTATION ARM                                    | 1     |
| 62   | H-80-1330003   | PRESSURE SCREW                                  | 1     |
| 63   | GB70. 1-M10×20 | INNER HEXA CYLINDRICAL SCREW                    | 1     |
| 64   | H-80-1330002   | WASHER  | 1     |
| 65   | H-80-1330200   | SNAP-GAUGE                                      | 1     |
| 66   | GB70. 2-M5×25  | INNER HEXA CYLINDRICAL ROUND HEAD SCREW         | 3     |
| 67   | GB889. 1-M5    | 1-TYPE PREVAILING TORQUE TYPE HEXAGON LOCK NUT  | 1     |
| 68   | C-93-1700006   | SPRING  | 1     |
| 69   | H-80-1000010   | COVER   | 1     |
| 70   | GB70. 1-M6×90  | INNER HEXA CYLINDRICAL SCREW                    | 1     |
| 71   | FPE 6          | UNION TEE                                       | 1     |
| 72   | FPT 6-8-8      | DIFFERENT DIA OF UNION TEE                      | 1     |
| 73   | BZG-4800       | FIEXIBLE CONDUIT                                | 1     |
| 74   | PU-0603        | PU HOSE A Φ6X4                                  | 1     |
| 75   | PU-0605        | PU-0602200                                      | 1     |
| 76   | PU-0600        | PU HOSE C Φ6X4                                  | 1     |
| 77   | PU-0400        | PU HOSE C Φ6X4                                  | 1     |
| 78   | PU-0800170     | PU HOSE Φ8x5                                    | 1     |

H-81-2002000

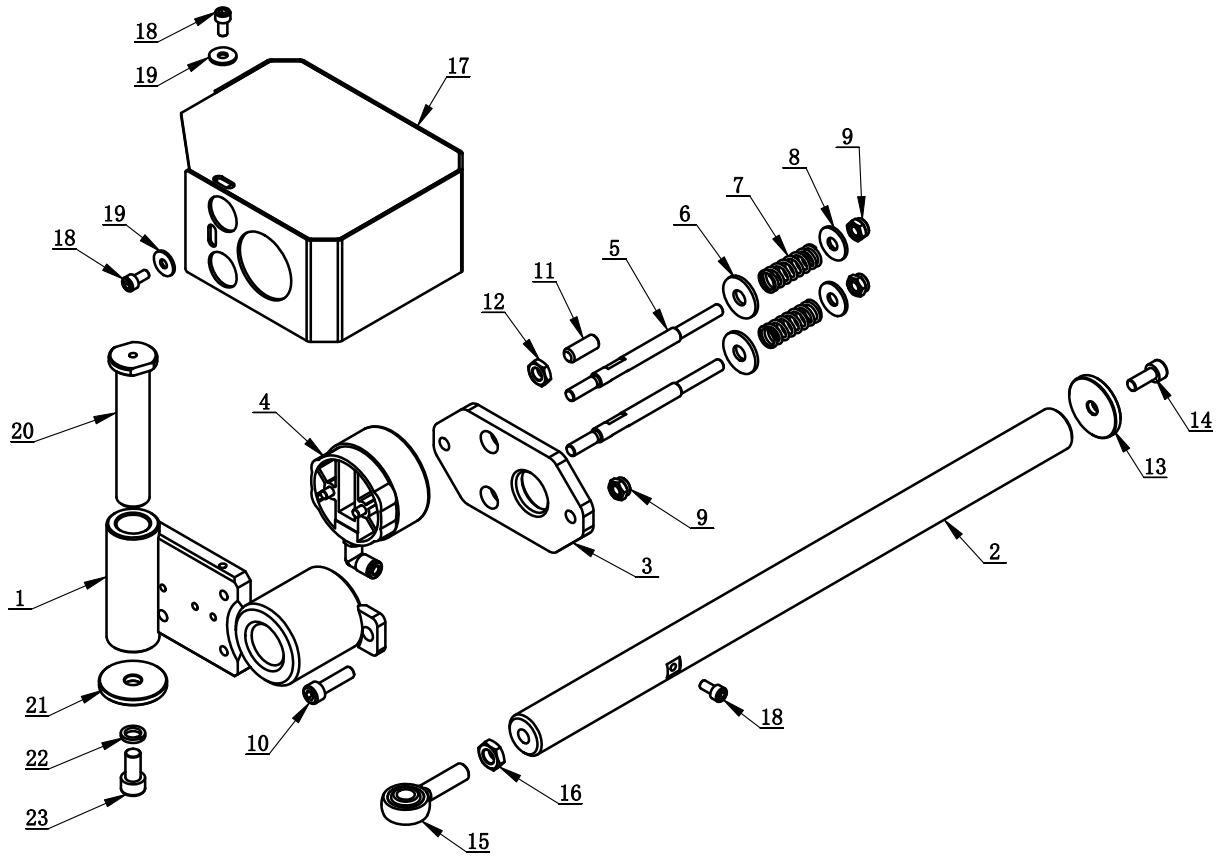


| ITEM  | PART. No             | DESCRIPTION.                                    | QT. Y |
|-------|----------------------|---|-------|
| 1     | H-10-1500002         | CYLINDER FRONT COVER                            | 1     |
| 2     | H-10-1500005         | CYLINDER BEAR COVER                             | 1     |
| 3     | H-81-2002002         | PISTON ROD                                      | 1     |
| 4     | H-81-2002001         | CYLINDER  | 1     |
| 5     | JH1 2020             | BEARING-SLIDE                                   | 1     |
| 6     | GB889. 1-M12         | 1- TYPE PREVAILING TORQUE TYPE HEXAGON LOCK NUT | 1     |
| 7     | GB95-12              | FLAT WASHER                                     | 1     |
| 8     | GB893. 1-30          | ELASTIC RETAINING RING A-TYPE                   | 1     |
| 9     | H-81-2002003         | BOLT  | 4     |
| 10    | GB889. 1-M8          | 1-TYPE PREVAILING TORQUE TYPE HEXAGON LOCK NUT  | 8     |
| 11    | H-10-1590000         | CYLINDER SEALING PARTS ASSEMBLY                 | 1     |
| 11. 1 | CT-Y-0160007         | SEAL-ROD, CYLNDR                                | 1     |
| 11. 2 | H-10-1500001         | PISTON  | 1     |
| 11. 3 | GB3452. 1-95×2. 65-G | HYDRAULIC-PNEUMATIC RUBBER O-RING G TYPE        | 2     |
| 11. 4 | GB3452. 1-20×2. 65-G | HYDRAULIC-PNEUMATIC RUBBER O-RING G TYPE        | 1     |



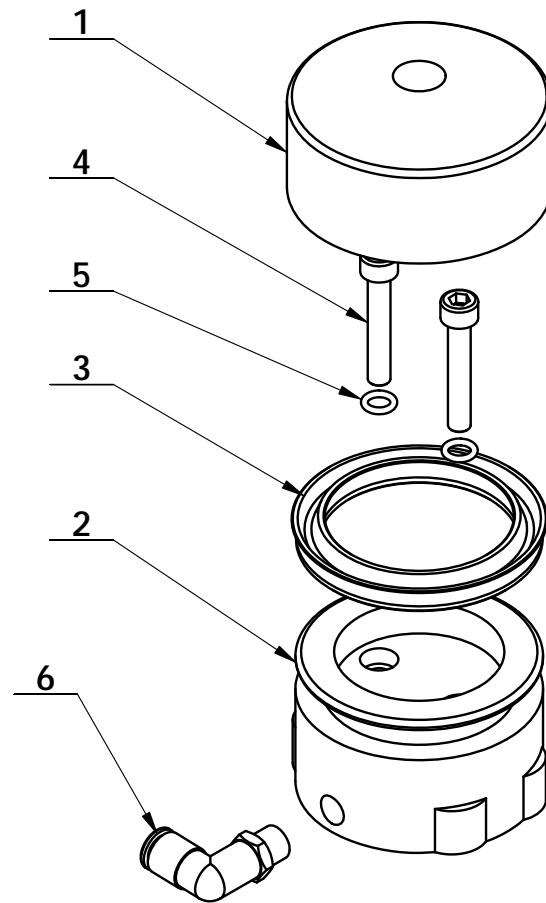
| ITEM | PART. No          | DESCRIPTION.                 | QT. Y |
|------|-------------------|------------------------------|-------|
| 1    | H-81-2003100B     | ARM                          | 1     |
| 2    | H-30-1000003      | PRESS CONE                   | 1     |
| 3    | GB96. 1-10        | LARGE WASHER A GRADE         | 1     |
| 4    | GB93-10           | STANDARD SPRING WASHER       | 1     |
| 5    | GB70. 1-M10×20-LH | INNER HEXA CYLINDRICAL SCREW | 1     |
| 6    | H-81-2003002      | HAND CONTROL VALVE           | 1     |
| 7    | GB70. 1-M4×20     | INNER HEXA CYLINDRICAL SCREW | 2     |
| 8    | H-81-2003001      | COVER                        | 1     |
| 9    | GB70. 1-M5×10     | INNER HEXA CYLINDRICAL SCREW | 2     |
| 10   | C-71-1000027      | HELPER RUBBE PLUG            | 1     |

H-81-2004000A



| ITEM | PART. No        | DESCRIPTION.                                   | QT. Y |
|------|-----------------|--|-------|
| 1    | H-81-2004100A   | SLITHER ARM                                    | 1     |
| 2    | H-81-2004008A   | SHAFT LEVER                                    | 1     |
| 3    | H-81-2004001A   | LOCK PLATE                                     | 1     |
| 4    | C-77-1500000    | LOCKING CYLINDER ASSY                          | 1     |
| 5    | H-81-2004007    | SCREW  | 2     |
| 6    | GB96. 2-10      | LARGE WASHER C GRADE                           | 2     |
| 7    | C-71-1000018    | PRESS SPRING                                   | 2     |
| 8    | GB96. 2-8       | LARGE WASHER C GRADE                           | 2     |
| 9    | GB889. 1-M8     | 1-TYPE PREVAILING TORQUE TYPE HEXAGON LOCK NUT | 3     |
| 10   | GB70. 1-M8×30   | INNER HEXA CYLINDRICAL SCREW                   | 1     |
| 11   | C-71-1000029    | INNER HEXA FLAT TERMINUS SET SCREW             | 1     |
| 12   | GB6173-M10×1. 0 | HEXA THIN NUT                                  | 1     |
| 13   | H-80-1500002    | BLOCK WASHER                                   | 1     |
| 14   | GB70. 1-M8×20   | INNER HEXA CYLINDRICAL SCREW                   | 1     |
| 15   | H-81-2004010    | BEARING JOINTS                                 | 1     |
| 16   | GB/T6172. 1-M12 | HEXANGULAR THIN NUT                            | 1     |
| 17   | H-81-2004200    | COVER  | 1     |
| 18   | GB70. 1-M6×12   | INNER HEXA CYLINDRICAL SCREW                   | 3     |
| 19   | GB96. 1-6       | LARGE WASHER A GRADE                           | 2     |
| 20   | H-81-2004002    | SHAFT LEVER                                    | 1     |
| 21   | H-81-2004004    | PRESS WASHER                                   | 1     |
| 22   | GB93-10         | STANDARD SPRING WASHER                         | 1     |
| 23   | GB70. 1-M10×20  | INNER HEXA CYLINDRICAL SCREW                   | 1     |

C-77-1500000



| ITEM | PART. No          | DESCRIPTION.                             | QT. Y |
|------|-------------------|--|-------|
| 1    | C-71-1320001      | LOCK TURNTABLE CYLINDER HEAD             | 1     |
| 2    | C-71-1320002      | LOCK CYLINDER BODY                       | 1     |
| 3    | C-71-1320003      | Y-RING                                   | 1     |
| 4    | GB70. 1-M6×35     | INNER HEXA CYLINDRICAL SCREW             | 2     |
| 5    | GB3452. 1-6×1.8-G | HYDRAULIC-PNEUMATIC RUBBER O-RING G TYPE | 2     |
| 6    | FPL 6-01          | MALE ELBOW                               | 1     |