

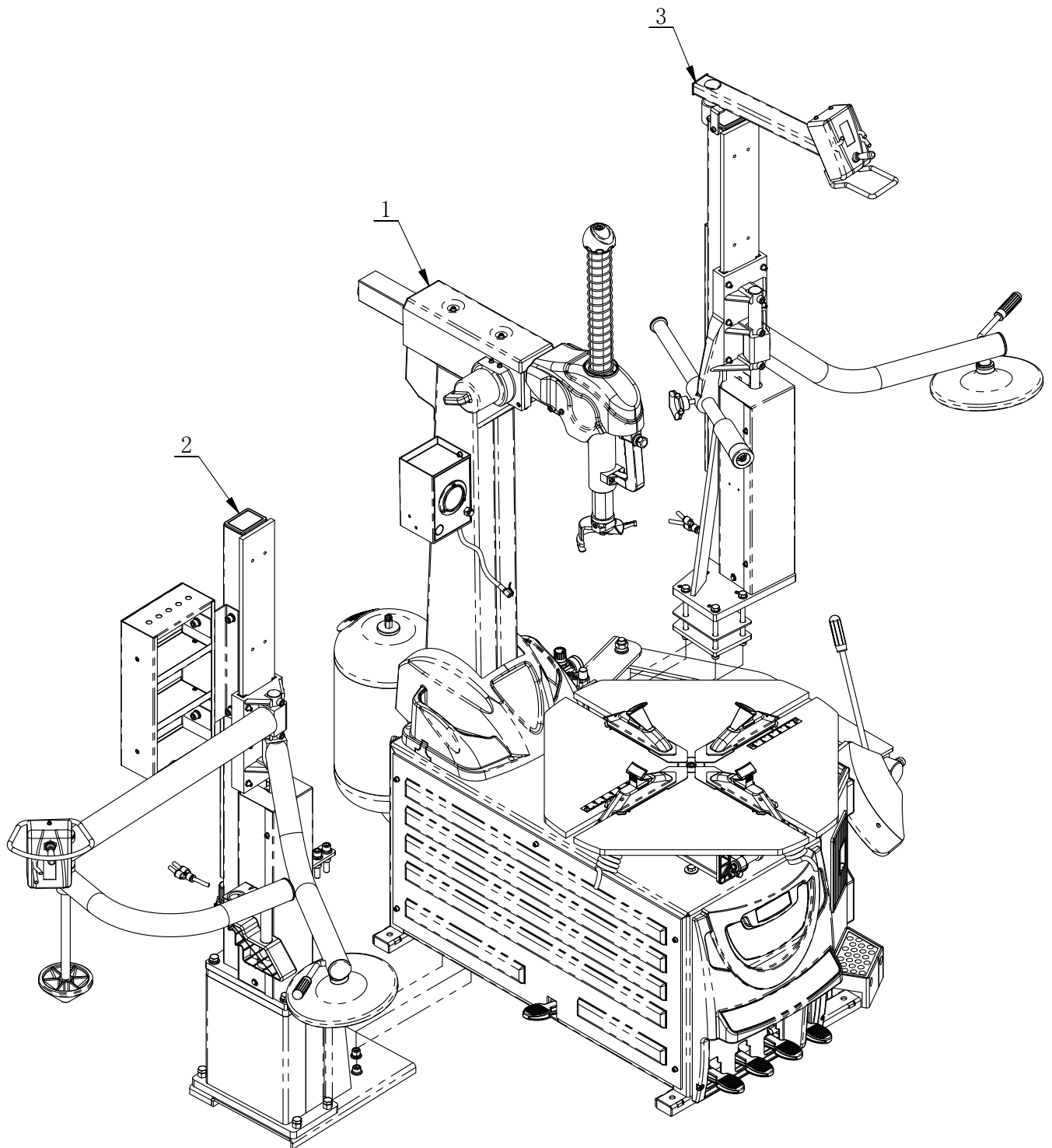
895N IT +330+335

Organization:

To examine:

Approval:

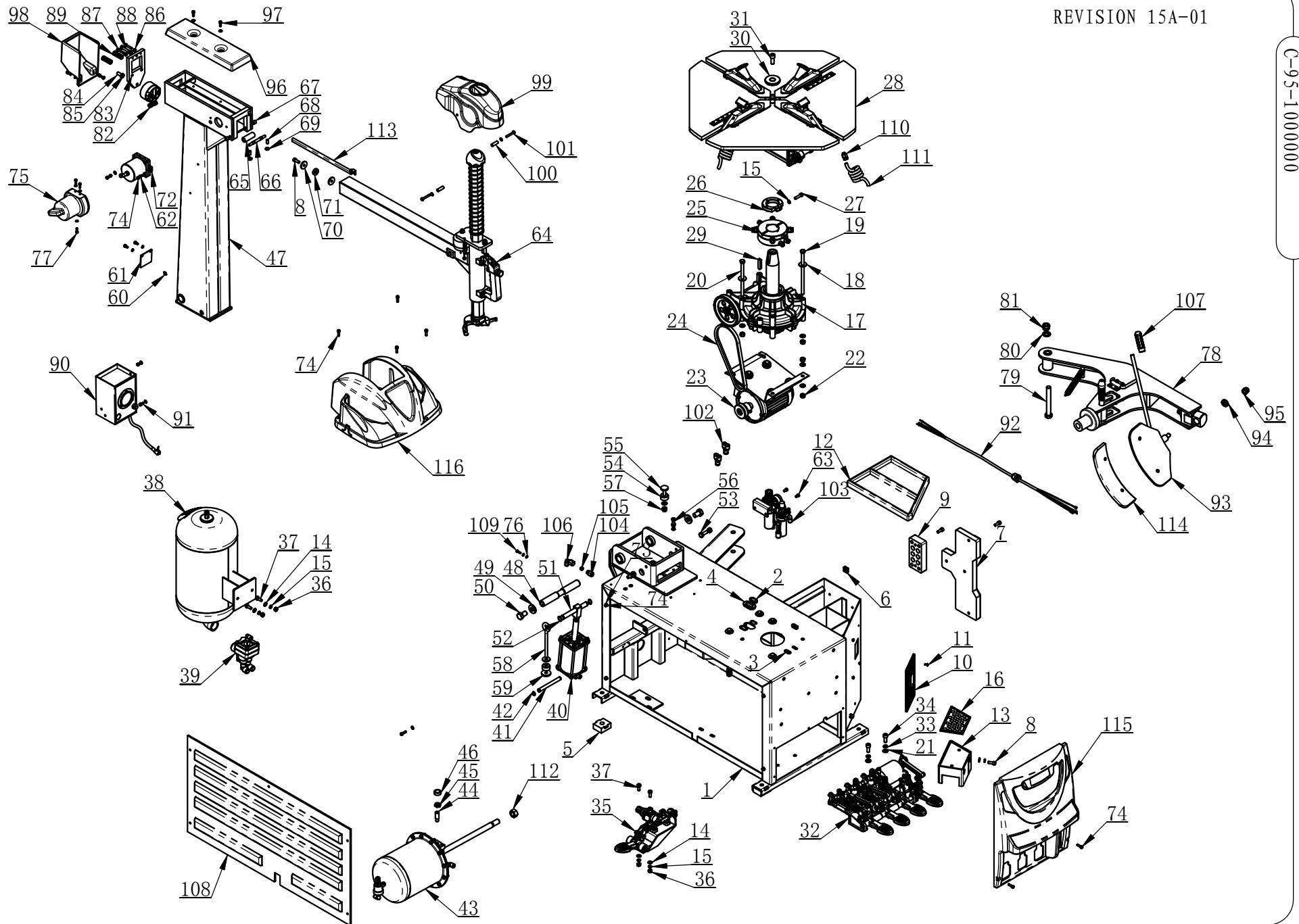
Version: A-01



ITEM	PART. No	DESCRIPTION.	QT. Y
1	C-95-1000000	CAR TIRE CHANGER	1
2	H-10-1000000	330 HELPER ASSEMBLP	1
3	H-30-1000000	335 HELPER ASSEMBLP	1

REVISION 15A-01

C-95-1000000

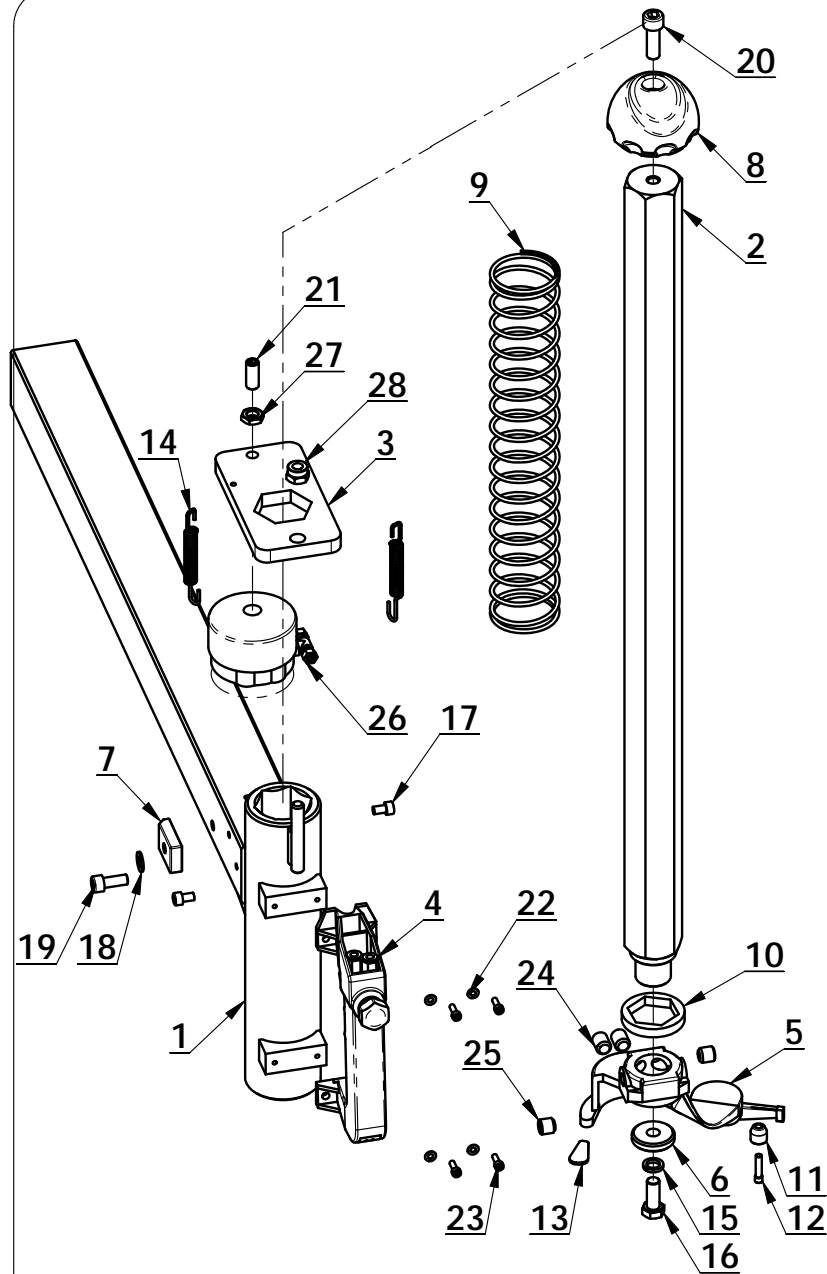


ITEM	PART. No	DESCRIPTION.	QT. Y
1	C-90-1800000	THE BODY WELDING	1
2	C-54-1000022	PLUG C	2
3	C-54-1000023	PLUG A	2
4	C-54-1000028	PLUG B	1
5	C-54-1000005	RUBBER FOOT	4
6	C-54-1000015	STOP-UP	1
7	C-31-1000010	RUBBER PAD PLATE	1
8	GB70. 1-M8×20	INNER HEXA CYLINDRICAL SCREW	9
9	C-90-1000001	RIM SUPPORT	1
10	C-90-1000004	RUBBER PLATE	1
11	C-90-1000014	CROSS PANHEAD SCREW	4
12	C-90-1000008	PROTECTIVE COVER	1
13	C-90-1500000	WASHER	1
14	GB95-8	FLAT WASHER	6
15	GB93-8	STANDARD SPRING WASHER	9
16	C-90-1000002	WASHER	1
17	CT-J-4100000	GEARBOX ASSEMBLY	1
18	GB96. 2-10	LARGE WASHER C GRADE	7
19	GB5782-M10×200-W8. 8	HEXANGULAR BOLT	4
20	GB5782-M10×160-W8. 8	HEXANGULAR BOLT	2
21	GB95-10	FLAT WASHER	17
22	GB41-M10	HEXANGULAR NUT	16
23	CT-DJ-0334122	MOTOR	1
24	CT-DJ-0000007	TRIANGLE	1
25	CT-Q-3000000	ROTATING UNION	1
26	CT-Q-6000000	CLAMP RING	1
27	GB70. 1-M8×30	INNER HEXA CYLINDRICAL SCREW	1
28	CT-Y-6100000	TURNTABLE ASSEMBLY	1
29	GB1096-C12×8×45	COMMON FLAT KEY	1
30	C-54-1000012	PRESS COVER	1
31	GB70. 1-M12×30	INNER HEXA CYLINDRICAL SCREW	1
32	CT-D-6100000	PEDAL ASSEMBLY	1
33	GB93-10	STANDARD SPRING WASHER	2
34	GB70. 1-M10×25	INNER HEXA CYLINDRICAL SCREW	2
35	CT-K-1A00000	QUICK INFLATION PEDAL ASSY	1
36	GB41-M8	HEXANGULAR NUT	7
37	GB5782-M8×20	HEXANGULAR BOLT	4
38	CT-K-4200000	STORAGE TANKS ASSEMBLY	1
39	CT-K-2200000	QUICK EXHAUST VALVE ASSEMBLY	1
40	CT-XD-2000000	PULL-OUT CYLINDER D80X80	1

ITEM	PART. No	DESCRIPTION.	QT. Y
41	C-71-1000006	PIN SHAFT	1
42	GB894. 1-12	SHAFT ELATIC BIG RETAINING RING A-TYPE	2
43	CT-LS-3100000	BEAD BREAKER CYLINDER ASSEMBLY	1
44	C-54-1000010	SCREWS M14X42	2
45	GB6172. 1-M14	HEXANGULAR THIN NUT	2
46	C-54-1000013	SEALED COVER	1
47	C-90-1200000	COLUMN WELDING ASSY	1
48	C-90-1000009	BOTTOM ROTATION SHAFT	1
49	C-71-1000010	WASHER	2
50	GB5782-M16×25-W8. 8	HEXANGULAR BOLT	2
51	C-90-1000010	PULL-OUT SHAFT	1
52	GB894. 1-16	SHAFT ELATIC BIG RETAINING RING A-TYPE	2
53	C-90-1000012	POSITION BOLT	2
54	C-71-1000013	WASHER Φ30xΦ10x15	2
55	C-90-1000011	BUMPER LOCK BOLT	1
56	GB5782-M8×35	HEXANGULAR BOLT	2
57	GB889. 1-M10	1-TYPE PREVAILING TORQUE TYPE HEXAGON LOCK NUT	2
58	C-71-1000008	CONNECTION ROD	1
59	C-71-1000028	WASHER	1
60	TC-10-8400006	OIL CUP M6	1
61	C-80-1000010	BLOCK PLATE	1
62	GB93-6	STANDARD SPRING WASHER	4
63	GB70. 1-M6×10	INNER HEXA CYLINDRICAL SCREW	4
64	C-95-1100000	PUSH AND PULL ARM COMPONENTS	1
65	C-77-1000001	ROTATING SPACER	1
66	C-77-1000002	SUPPORT SHAFT	1
67	GB77-M12×12	INNER HEXA FLAT TERMINUS SET SCREW	2
68	GB77-M8×16	INNER HEXA FLAT TERMINUS SET SCREW	2
69	GB6172. 1-M8	HEXANGULAR THIN NUT	2
70	C-77-1000003	CUSHION	2
71	C-77-1000004	RUBBER WASHER	1
72	C-90-1600000	HORIZONTAL LOCK CYLINDER	1
73	GB95-6	FLAT WASHER	15
74	GB70. 1-M6×20	INNER HEXA CYLINDRICAL SCREW	13
75	C-90-1000007	PROTECTIVE COVER	1
76	GB95-5	FLAT WASHER	5
77	GB70. 1-M5×16	INNER HEXA CYLINDRICAL SCREW	3
78	CT-B-1000000	BEAD BREAKER	1
79	GB5782-M16×130	HEXANGULAR BOLT	1
80	GB95-16	FLAT WASHER	1

ITEM	PART. No	DESCRIPTION.	QT. Y
81	GB889. 1-M16	1-TYPE PREVAILING TORQUE TYPE HEXAGON LOCK NUT	1
82	C-90-1700000	LOCKING CYLINDER ASSY	1
83	C-77-1400000	QUADRIC LOCK PLATE WELDING	1
84	C-71-1000029	INNER HEXA FLAT TERMINUS SET SCREW	1
85	GB6173-M10×1. 0	HEXA THIN NUT	1
86	GB41-M6	HEXANGULAR NUT	2
87	GB5782-M6×30	HEXANGULAR BOLT	2
88	GB5781-M8×35	HEXANGULAR BOLT	1
89	C-71-1000018	PRESS SPRING	2
90	CT-K-3200000	INFLATOR COVER ASSEMBLY	1
91	GB70. 1-M6×12	INNER HEXA CYLINDRICAL SCREW	2
92	CT-E-UN00410	CABLE	1
93	CT-C-1100000	ON THE BEAD WELDING	1
94	GB955-14	WAVE-FORM SPRING WASHER	1
95	GB889. 1-M14	1-TYPE PREVAILING TORQUE TYPE HEXAGON LOCK NUT	1
96	C-77-1000007	PROTECTIVE COVER	1
97	GB70. 1-M6×16	INNER HEXA CYLINDRICAL SCREW	4
98	C-77-1000008	PROTECTIVE COVER	1
99	C-8E-1000002	PROTECTION COVER	1
100	C-77-1000006	PROTECTIVE HOOD LOCK BUSHING	2
101	GB818-M6×40-H	CROSS PANHEAD SCREW	2
102	FPY-8	Y-SHAPE INSERT FITTING Φ8	2
103	CT-F-1121300	AIR REGULATOR	1
104	FPC 8-02	MALE STRAIGHT	1
105	C-54-1000027	JOINT SEALING GASKET	1
106	FPLF 8-02	FEMALE ELBOW	1
107	TC-40-1200022	RUBBER COVER	1
108	C-90-1000006	SIDE PANEL	1
109	GB5782-M5×16-8. 8	HEXANGULAR BOLT	1
110	FPC 10-01	MALE STRAIGHT	4
111	C-54-1000029	PU SPIRAL TUBE	4
112	GB6171- M18×1. 5	NUT THIN TOOTH	1
113	C-77-1000009	AIR HOSE CHUTE	1
114	C-90-1000013	SHENZHEN SET	1
115	C-95-1000001	FIRST COVER	1
116	C-95-1000002	TOOL BOX	1

REVISION 15A-01



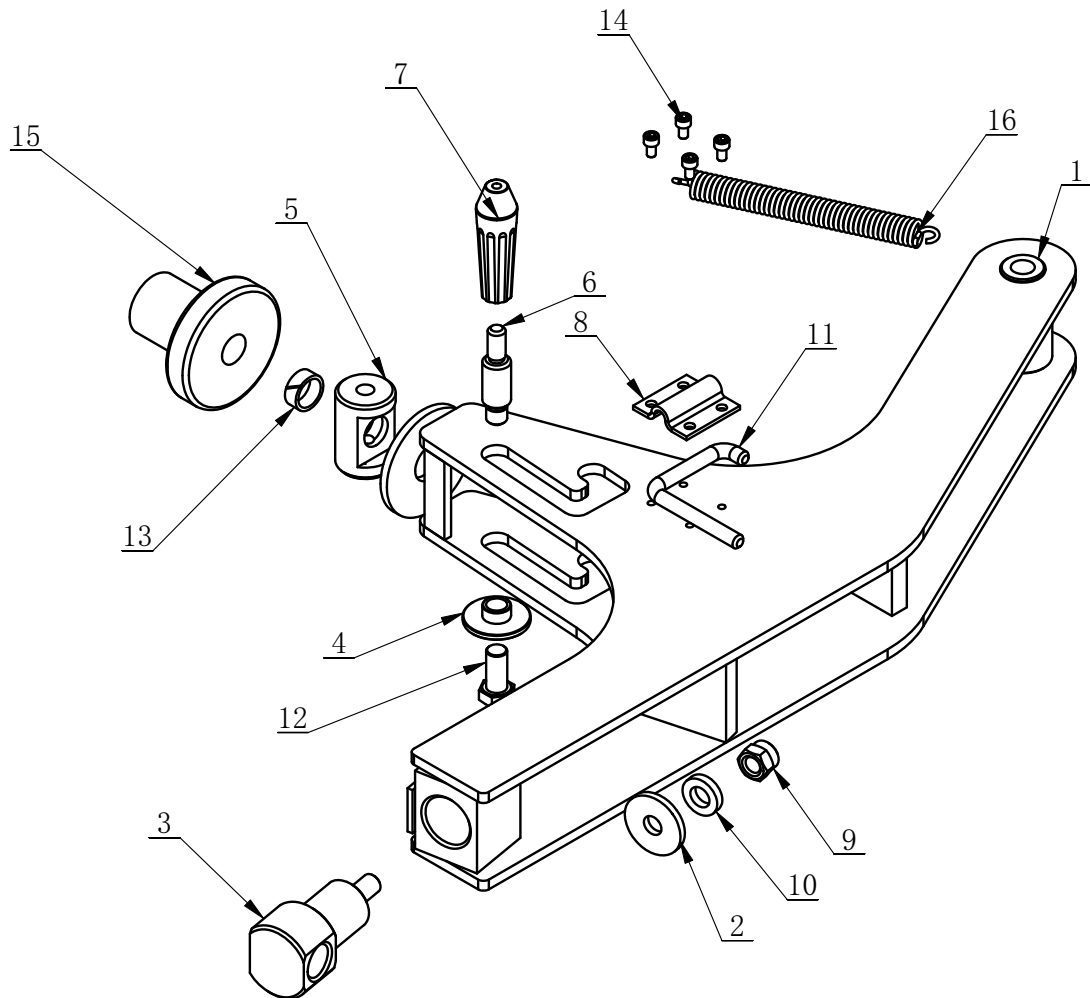
ITEM	PART. No	DESCRIPTION.	QT. Y
1	C-77-1310000	HORIZONTAL ARM WELDING	1
2	C-90-1300001	HEXANGULAR SHAFT	1
3	C-77-1300004	HEXANGULAR LOCK PLATE	1
4	C-71-1330000	HANDLE CONTROLING VALVE	1
5	C-54-1300004	DEMOUNTING HEAD	1
6	C-54-1300008	PRESS WASHER	1
7	C-71-1300005	POSITIONING BLOCK	1
8	C-5E-1300001	VERTICAL SHAFT COVER	1
9	C-90-1300002	VERTICAL SHAFT SPRING	1
10	C-54-1300007	SHOCK ABSORBER WASHER	1
11	C-54-1300009	ROLLER	1
12	C-54-1300006	ROLLER BOLT	1
13	C-54-8000007	PLASTIC COVER	1
14	C-71-1300004	SPRING	2
15	GB93-10	STANDARD SPRING WASHER	1
16	GB5783-M10×25-W8.8	HEXANGULAR BOLT	1
17	GB70.1-M6×10	INNER HEXA CYLINDRICAL SCREW	2
18	GB95-8	FLAT WASHER	1
19	GB70.1-M8×20	INNER HEXA CYLINDRICAL SCREW	1
20	GB70.1-M10×30	INNER HEXA CYLINDRICAL SCREW	1
21	C-71-1000029	INNER HEXA FLAT TERMINUS SET SCREW	1
22	GB95-4	FLAT WASHER	4
23	GB70.1-M4×12	INNER HEXA CYLINDRICAL SCREW	4
24	GB77-M12×16	INNER HEXA FLAT TERMINUS SET SCREW	2
25	GB77-M12×12	INNER HEXA FLAT TERMINUS SET SCREW	2
26	C-71-1320000	LOCKING CYLINDER ASSY	1
27	GB6173-M10×1.0	HEXA THIN NUT	1
28	GB889.1-M10	1-TYPE PREVAILING TORQUE TYPE HEXAGON LOCK NUT	1

C-95-1100000

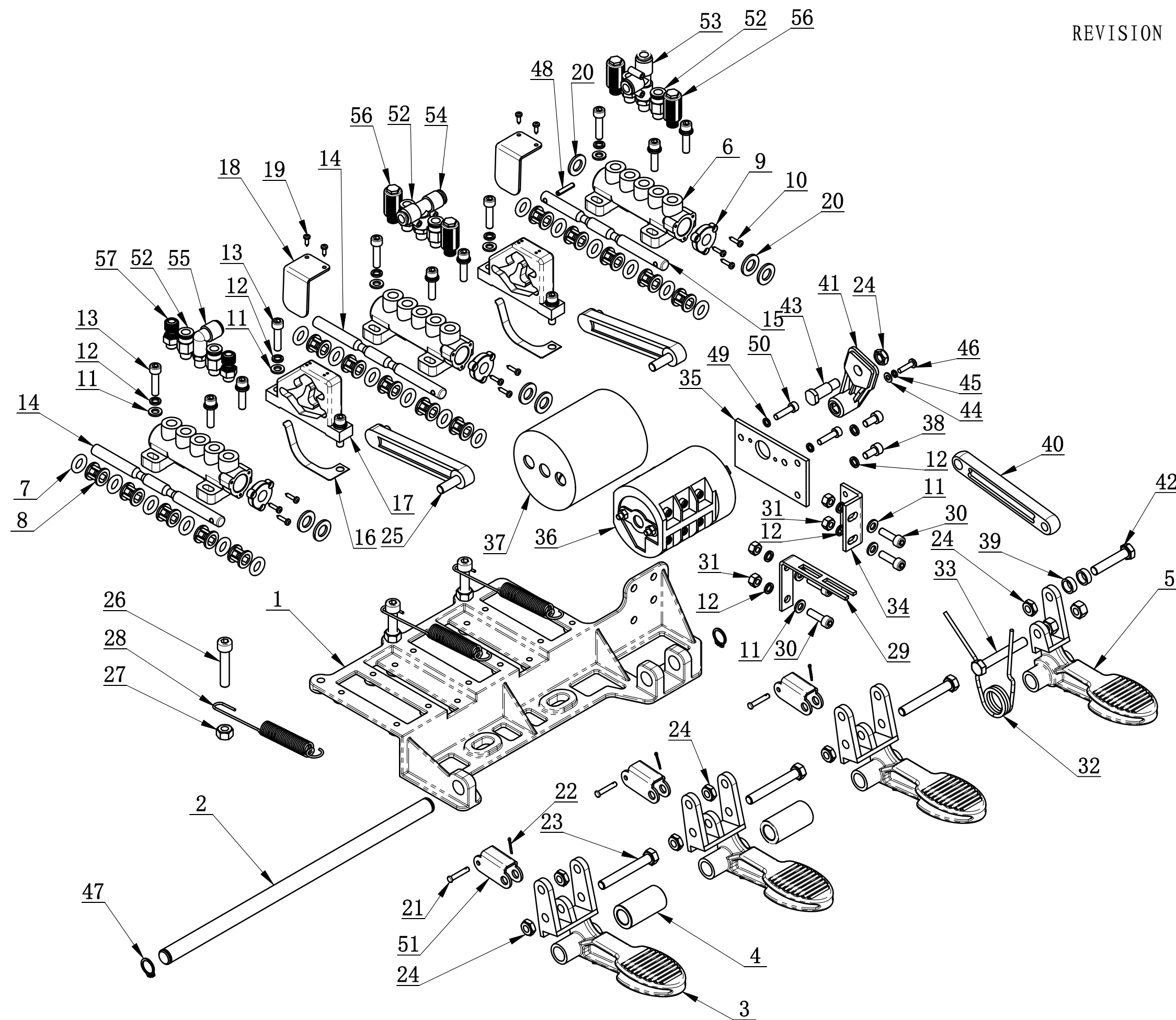
CT-B-1000000

REVISION 15A-01

BEAD BREAKER CT-B-1000000

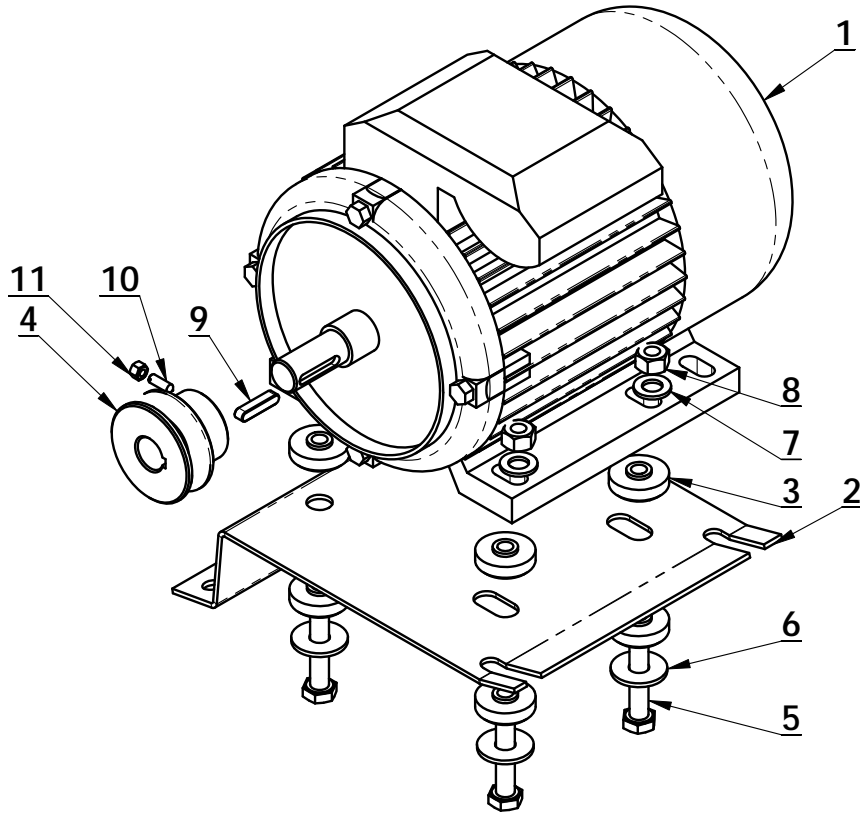


ITEM	PART. No	DESCRIPTION.	QT. Y
1	CT-B-1100000	BEAD BREAKER	1
2	CT-B-1000002	WASHER	1
3	CT-B-1000001	CONNECTION SHAFT	1
4	CT-B-1000004	FIXTURE SPACER	1
5	CT-B-1000003	SLIDE SPACER	1
6	CT-B-1000005	HANDLE	1
7	CT-B-1000011	HANDLE COVER	1
8	CT-B-1000007	FIXTURE BRACKET	1
9	GB889. 1-M14	1-TYPE PREVAILING TORQUE TYPE HEXAGON LOCK NUT	1
10	GB955-14	WAVE-FORM SPRING WASHER	1
11	CT-B-1000006	BLOCK HANDLE	1
12	GB5781-M14×30	HEXANGULAR BOLT	1
13	CT-B-2000001	SLIDE SPACER	1
14	GB70. 1-M6×10	INNER HEXA CYLINDRICAL SCREW	4
15	CT-B-1200000	RUBBER COVER	1
16	CT-B-1000008	SPRING	1

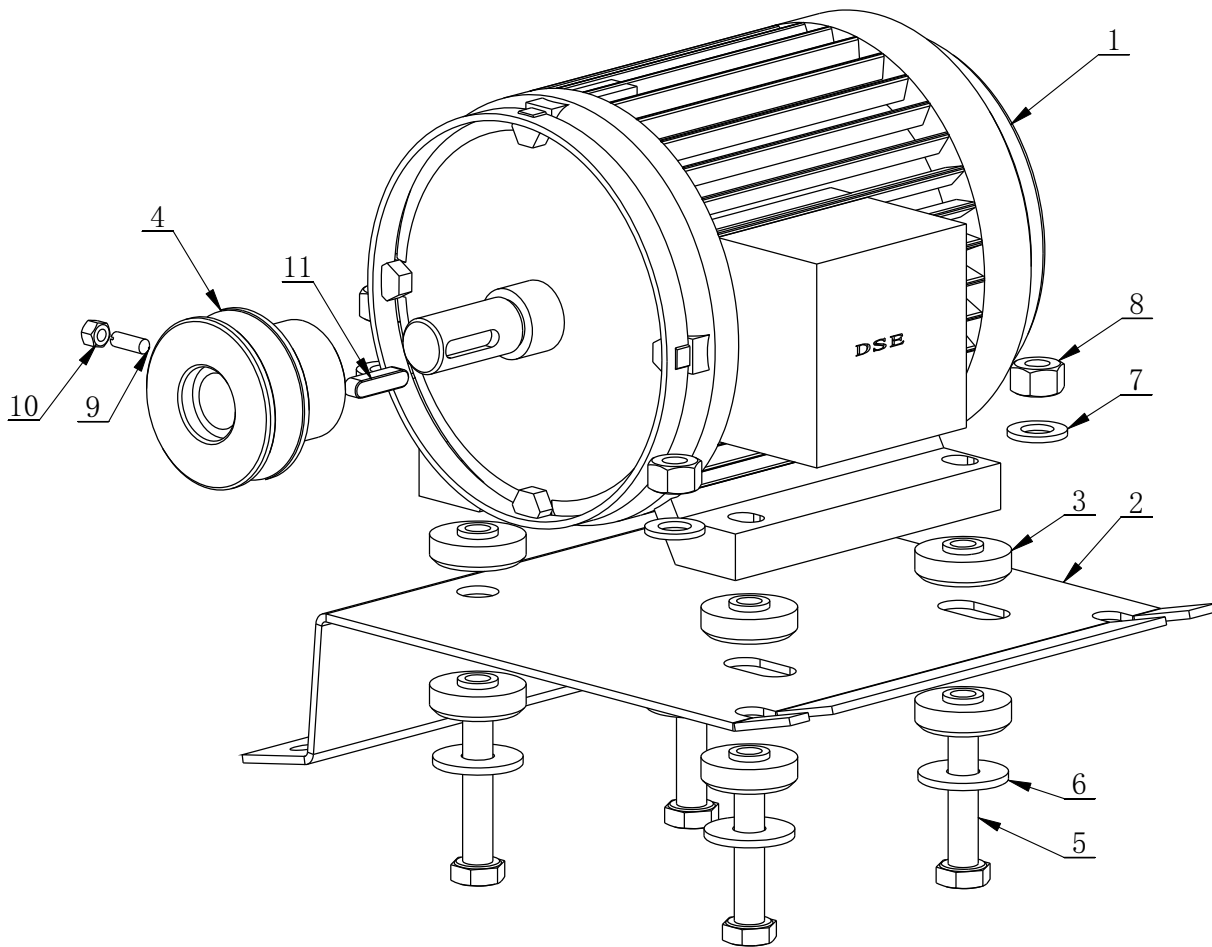


ITEM	PART. No	DESCRIPTION.	QT. Y
1	CT-D-6100001	PEDAL SUPPORT WELDING	1
2	CT-D-6100002	BOTTOM SHAFT	1
3	CT-D-5100003	PEDAL	3
4	CT-D-2100001	SPACER	2
5	CT-D-5100002	PEDAL	1
6	CT-D-1110001	VALVE BODY	3
7	CT-D-1110003	O-RING	18
8	CT-D-1110004	SPACER	15
9	CT-D-1110005	VALVE CAP	3
10	GB845-ST2.9 × 13 H C	CROSS PANHEAD TAPPING SCREW	9
11	GB95-6	FLAT WASHER	17
12	GB93-6	STANDARD SPRING WASHER	19
13	GB70.1-M6 × 25	INNER HEXA CYLINDRICAL SCREW	13
14	CT-D-2600003	VALVE ROD	2
15	CT-D-2600001	VALVE ROD	1
16	CT-D-2100004	SPRING PLATE	2
17	CT-D-1100009	CAM	2
18	CT-D-1100011	CAM BAFFLE PLATE	2
19	GB845-ST2.9 × 9.5 H C	CROSS PANHEAD TAPPING SCREW	4
20	GB95-10	FLAT WASHER	7
21	GB882-4 × 22	PIN SHAFT	3
22	GB91-1.6 × 10	SLOTTED PIN	3
23	GB5782-M8 × 60	HEXANGULAR BOLT	3
24	GB889.1-M8	1-TYPE PREVAILING TORQUE TYPE HEXAGON LOCK NUT	7
25	CT-D-1100008	CAM CONNECTING ROD	2
26	GB70.1-M8 × 40	INNER HEXA CYLINDRICAL SCREW	3
27	GB41-M8	HEXANGULAR NUT	5
28	CT-D-5100007	SPRING	3
29	CT-D-2100010	TORSION SPRING BRACKET	1
30	GB70.1-M6 × 20	INNER HEXA CYLINDRICAL SCREW	4
31	GB41-M6	HEXANGULAR NUT	4
32	CT-D-2100002	TORSION SPRING	1
33	GB5782-M8 × 55	HEXANGULAR BOLT	1
34	CT-D-5100008	SWITCH SUPPORT	1
35	CT-D-5100009	SWITCH SUPPORT	1
36	CT-D-1100018	SWITCH	1
37	CT-D-1100014	SWITCH COVER	1
38	GB70.1-M6 × 12	INNER HEXA CYLINDRICAL SCREW	2
39	CT-D-2100005	SPACER	2
40	CT-D-2100011	CONNECTION ROD	1

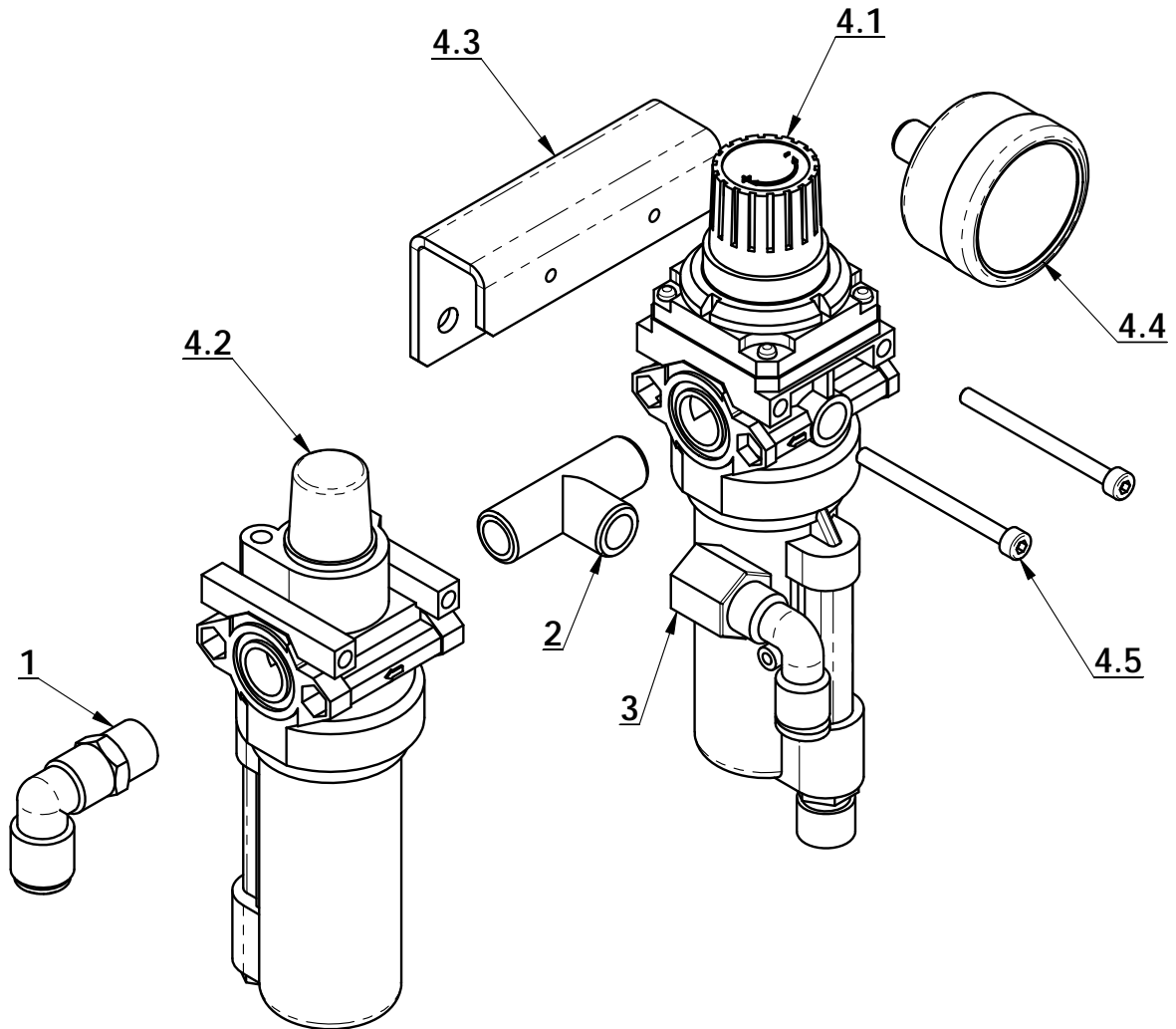
ITEM	PART. No	DESCRIPTION.	QT. Y
41	CT-D-1100010	REVERSE LEVER	1
42	GB5781-M8 × 40	HEXANGULAR BOLT	1
43	CT-D-2100012	ROTATION SHAFT	1
44	GB95-4	FLAT WASHER	1
45	GB93-4	STANDARD SPRING WASHER	1
46	GB818-M4 × 16-H	CROSS PANHEAD SCREW	1
47	GB894.1-14	SHAFT ELATIC BIG RETAINING RING A-TYPE	2
48	GB879.1-4 × 20	ELASTIC CYLINDRICAL PIN, HEAVY	1
49	GB93-5	STANDARD SPRING WASHER	2
50	GB70.1-M5 × 20	INNER HEXA CYLINDRICAL SCREW	2
51	CT-D-5100005	CONNECT ASSEMBLY	3
52	FPC 8-01	MALE STRAIGHT	6
53	FPD 8-01	MALE RUN TEE	1
54	FPB 8-01	MALE BRANCH TEE	1
55	FPL 8-01	INSERT ELBOW $\Phi 8$, R1/8	1
56	FSK 01	PLASTIC PARTICLE SILENCER	4
57	FJSR 01	BRASS REGULATOR SILENCER	2



序号	编码	中文名称	数量
1	CT-DJ-0018112	电机 (1.1KW220-240V50Hz单相)	1
2	CT-DJ-0000001	电机弯板	1
3	CT-DJ-0000002	电机胶垫	8
4	CT-DJ-0000003	电机皮带轮 ($\phi 58 \times 40$)	1
5	GB5781-M10 \times 50	六角头螺栓 全螺纹 C级 M10 \times 50	4
6	GB96.2-10	大垫圈 C级 10	4
7	GB95-10	平垫圈 C级 10	4
8	GB41-M10	六角螺母 C级 M10	4
9	GB1096-6 \times 6 \times 28	普通型平键 6 \times 6 \times 28	1
10	GB71-M5 \times 16	开槽锥端紧定螺钉 M5 \times 16	1
11	GB41-M5	六角螺母 C级 M5	1



ITEM	PART. No	DESCRIPTION.	QT. Y
1	CT-DJ-0034122	MOTOR (0.75KW 380V 50Hz 3P)	1
2	CT-DJ-0000001	MOTOR SUPPORT	1
3	CT-DJ-0000002	RUBBER WASHER 220V MOTOR BELT PULLEY ($\Phi 58 \times 40$)	8
4	CT-DJ-0000003		1
5	GB5781-M10 \times 50	HEXANGULAR BOLT	4
6	GB96.2-10	LARGE WASHER C GRADE	4
7	GB95-10	FLAT WASHER	4
8	GB41-M10	HEXANGULAR NUT	4
9	GB71-M5 \times 16	SLOTTED CONIC HEAD SET SCREW	1
10	GB41-M5	HEXANGULAR NUT	1
11	GB1096-6 \times 6 \times 25	COMMON FLAT KEY	1

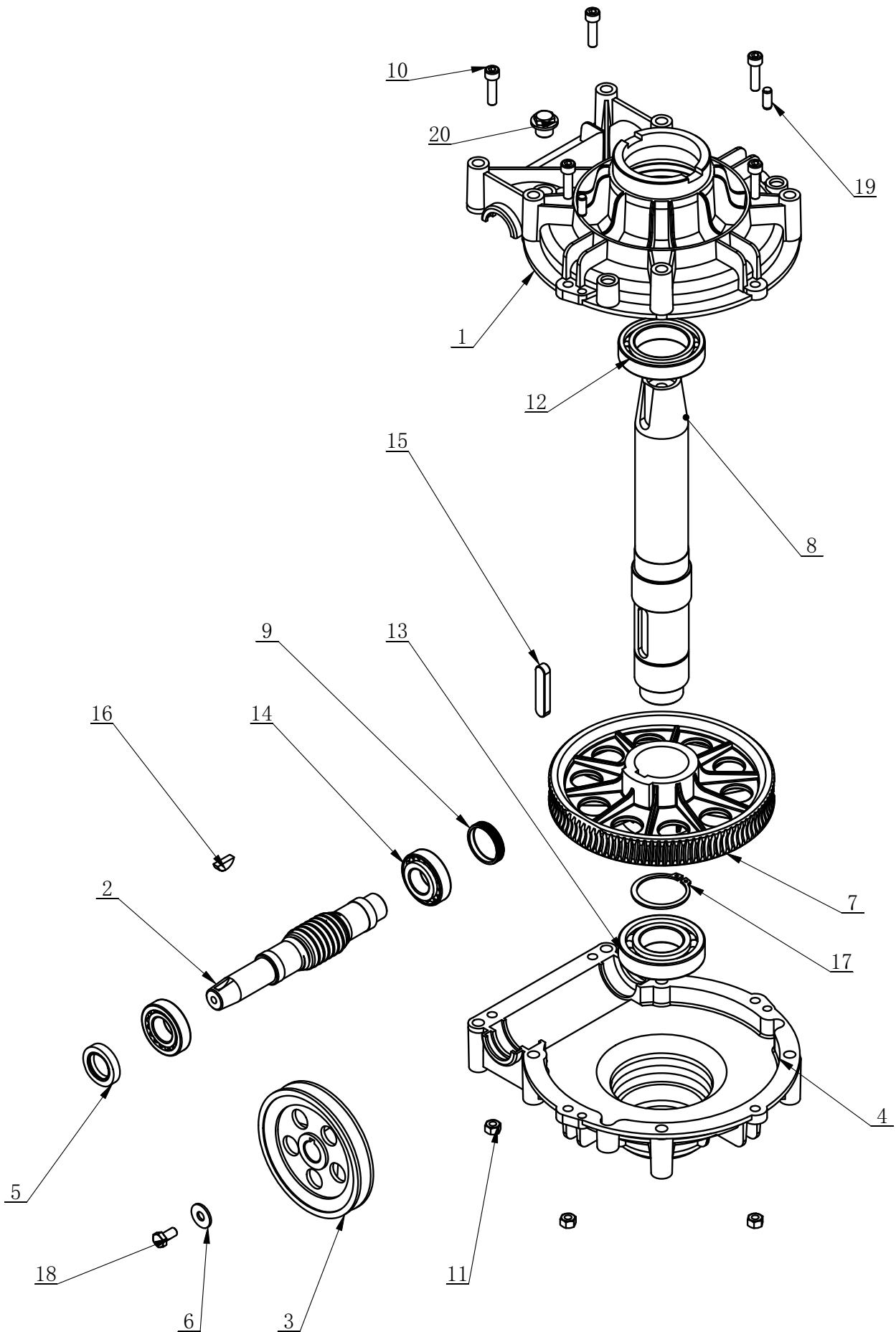


ITEM	PART. No	DESCRIPTION.	QT. Y
1	FPL 8-02	INSERT ELBOW $\Phi 8$, R1/4	1
2	PEH 02-02	FAMALE UNION TEE	1
3	FPLF8-02	INSERT ELBOW $\phi 8$, R1/4	1
4	CT-F-1000100	AIR REGULATOR ASSEMBIY	1
4.1	CT-F-1000010	PRESSURE ADJUST VALVE AND WATER CUP	1
4.2	CT-F-1000020	OIL CUP	1
4.3	CT-F-1000030	AIR REGULATOR BRACKET	1
4.4	CT-F-1000003	PRESSURE GAUGE	1
4.5	CT-F-1000001	INNER HEXA CYLINDRICAL SCREW	2

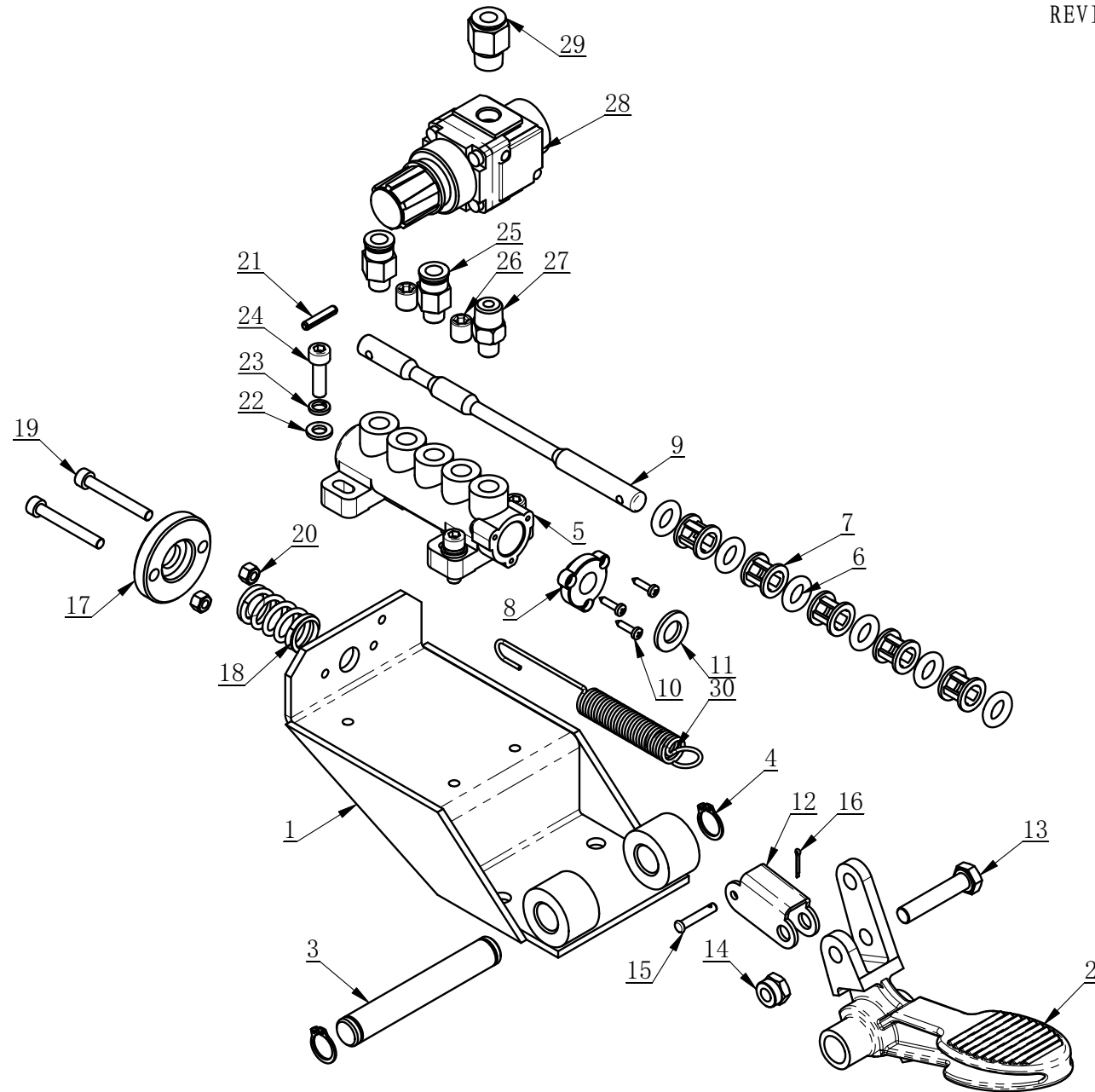
CT-J-4100000

REDUCER CT-J-4100000

REVISION 15A-01

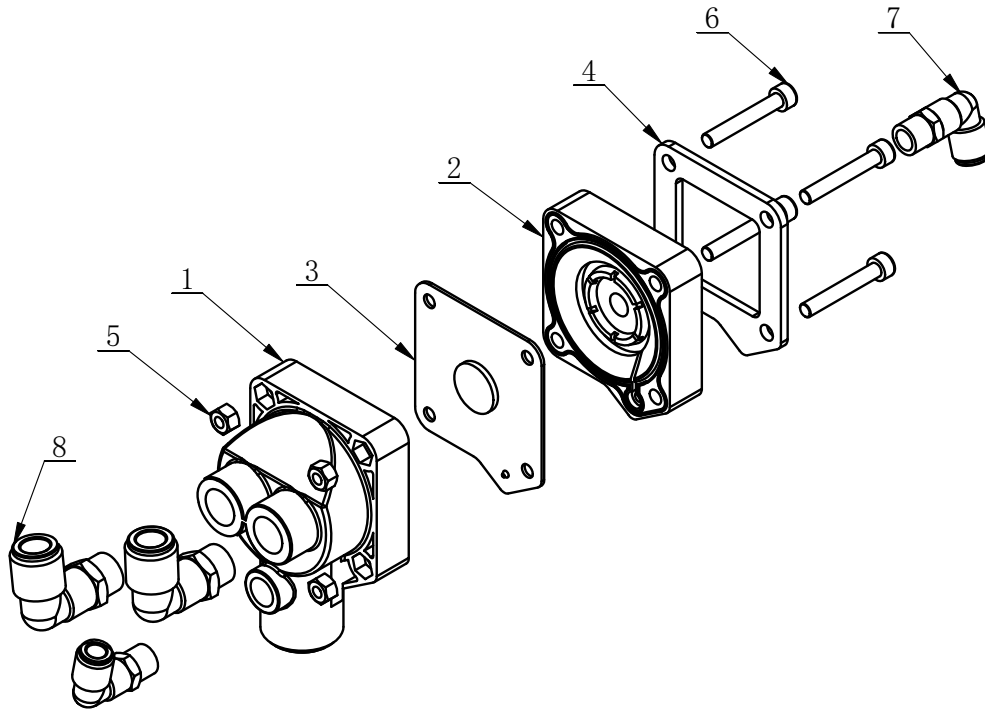


ITEM	PART. NO	DESCRIPTION.	QT. Y
1	CT-J-0000006	GEARBOX TOP	1
2	CT-J-0000004	WORM ROD	1
3	CT-J-0000008	BELT PULLEY	1
4	CT-J-0000005	GEARBOX TOP	1
5	FB25-40 GB13871.92	SEALED RING	1
6	GB96.2-8	LARGE WASHER C GRADE	1
7	CT-J-0000003	WORM	1
8	CT-J-0000002	WORM SHAFT	1
9	CT-J-0100000	CAP	1
10	GB70.1-M8×30	INNER HEXA CYLINDRICAL SCREW	5
11	GB41-M8	HEXANGULAR NUT	5
12	GB276-6010	DEEP GROOVE BALL BEARINGS	1
13	GB276-6208	DEEP GROOVE BALL BEARINGS	1
14	GB297-30205	CYLINDRICAL BALL BEARING	2
15	GB1096-12×8×56	COMMON FLAT KEY	1
16	GB1099.1-6×9×22	COMMON SEMI-CIRCULAR KEY	1
17	GB894.1-50	SHAFT ELATIC BIG RETAINING RING A-TYPE	1
18	GB5781-M8×16	HEXANGULAR BOLT	1
19	GB119.1-8×20	CYLINDRICAL PIN	2
20	TC-10-1400013	BOLT	1

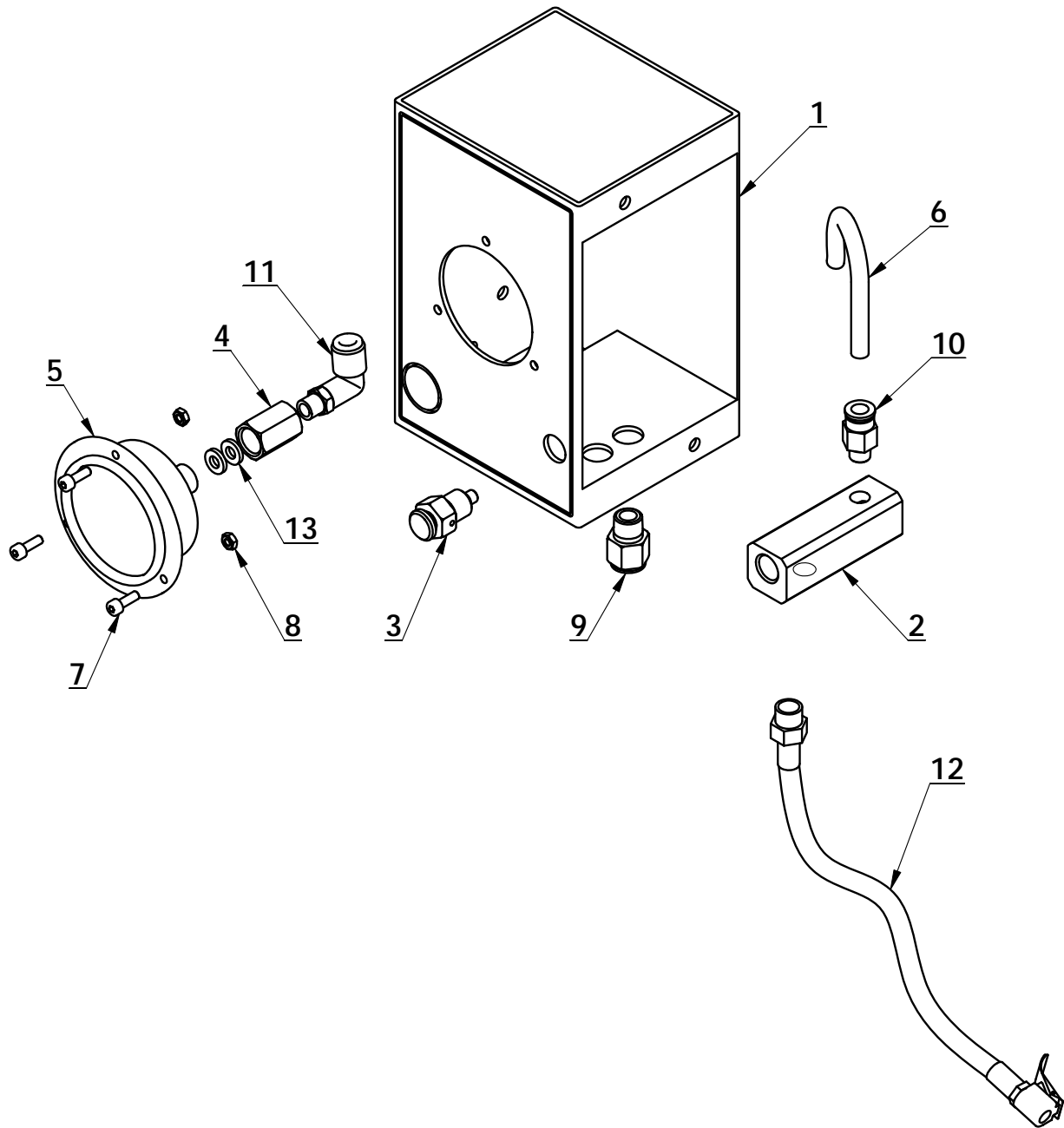


ITEM	PART. No	DESCRIPTION.	QT. Y
1	CT-K-1A10000	PEDAL SUPPORT WELDING	1
2	CT-D-5100002	PEDAL	1
3	CT-K-1100006	SHAFT	1
4	GB894. 1-14	SHAFT ELATIC BIG RETAINING RING A-TYPE	2
5	CT-D-1110001	VALVE BODY	1
6	CT-D-1110003	O-RING	6
7	CT-D-1110004	SPACER	5
8	CT-D-1110005	VALVE CAP	1
9	CT-K-1A00002	VALVE ROD	1
10	GB845-ST2. 9×13 H C	CROSS PANHEAD TAPPING SCREW	3
11	GB95-10	FLAT WASHER	1
12	CT-D-5100005	CATENATION	1
13	GB5781-M8×40	HEXANGULAR BOLT	1
14	GB889. 1-M8	1-TYPE PREVAILING TORQUE TYPE HEXAGON LOCK NUT	1
15	GB882-4×22	PIN SHAFT	1
16	GB91-1. 6×10	SLOTTED PIN	1
17	CT-K-1100002	MOVABLE PLATE	1
18	CT-K-1100003	SPRING	1
19	GB70. 1-M5×40	INNER HEXA CYLINDRICAL SCREW	2
20	GB41-M5	HEXANGULAR NUT	2
21	GB879. 1-4×20	ELASTIC CYLINDRICAL PIN, HEAVY	1
22	GB95-6	FLAT WASHER	3
23	GB93-6	STANDARD SPRING WASHER	3
24	GB70. 1-M6×20	INNER HEXA CYLINDRICAL SCREW	3
25	FPC 8-01	MALE STRAIGHT	2
26	JB / ZQ4447-1997-G1 / 8×10	SCREWS PLUG R1/8" x10	2
27	CT-K-1100007	FITTING	1
28	AR20-01	PRESSURE REDUCING VALVE	1
29	FPC 8-02	MALE STRAIGHT	1
30	CT-K-1A00001	SPRING	1

QUICK EXHAUST VALVE ASSEMBLY CT-K-2200000

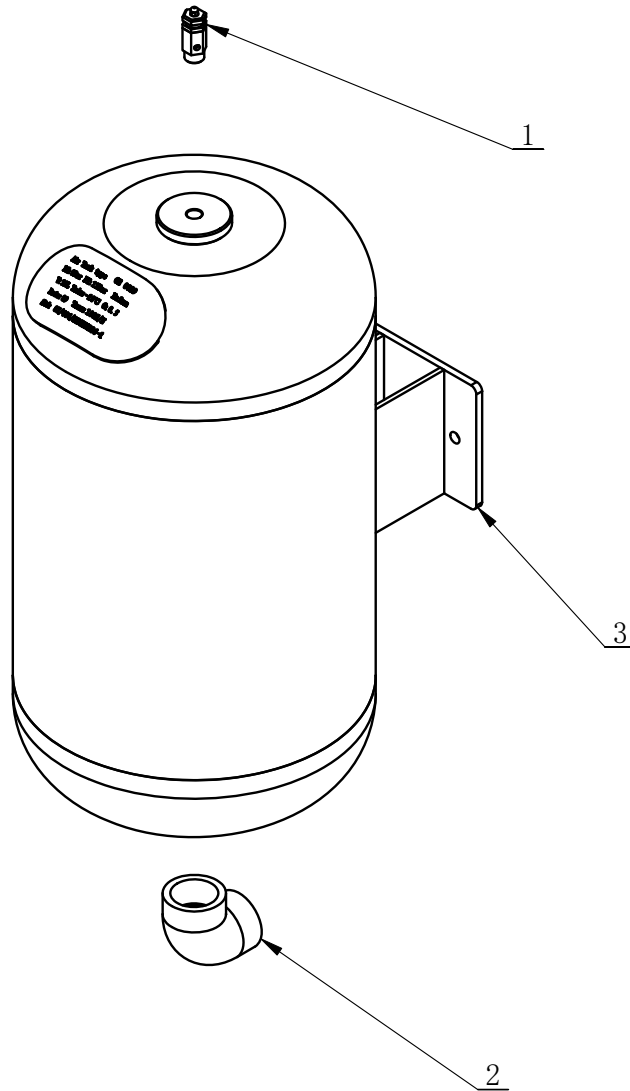


ITEM	PART. No	DESCRIPTION.	QT. Y
1	CT-K-2200002	BOTTOM COVER	1
2	CT-K-2200001	UPPER COVER	1
3	CT-K-2210000	PANEL	1
4	CT-K-2200003	WASHER	1
5	GB41-M6	HEXANGULAR NUT	4
6	GB70. 1-M6×40	INNER HEXA CYLINDRICAL SCREW	4
7	FPL 8-02	INSERT ELBOW Φ8, R1/4	2
8	FPL 12-03	INSERT ELBOW Φ12 R3/8"	2



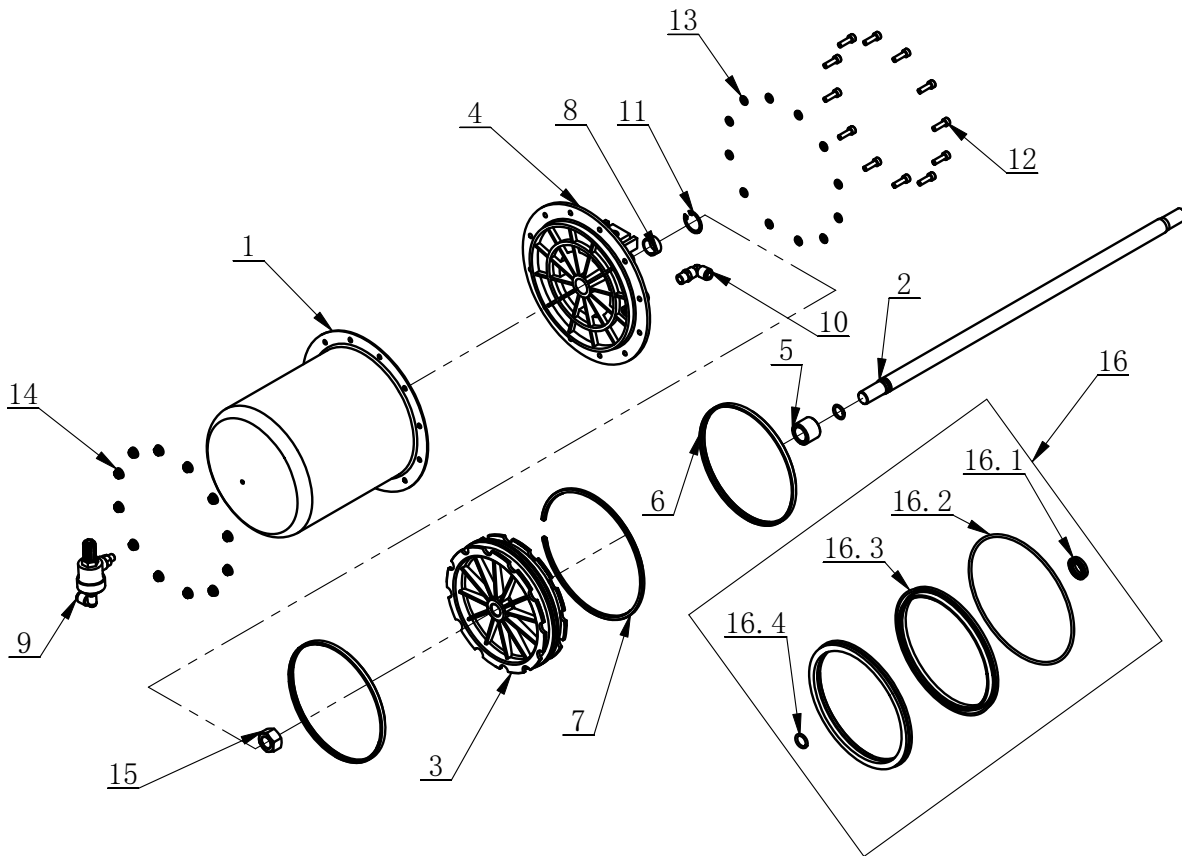
ITEM	PART. No	DESCRIPTION.	QT. Y
1	CT-K-3100001	PRESSURE GAUGE COVER	1
2	CT-K-3120000	AIR DISTRIBUTING VALVE	1
3	CT-K-3110000	EXHAUST VALVE ASSEMBLY	1
4	CT-K-3100002	CONNECT NUT	1
5	CT-K-3100004	PRESSURE GAUGE	1
6	PU-0800180-Y	PU HOSE $\Phi 8 \times 5$	1
7	GB70. 1-M4 \times 12	INNER HEXA CYLINDRICAL SCREW	3
8	GB6170-M4	HEXANGULAR NUT 1-TYPE	3
9	FPC 8-02	MALE STRAIGHT	1
10	FPC 8-01	MALE STRAIGHT	1
11	FPL 8-01	INSERT ELBOW $\Phi 8, R1/8$	1
12	CT-K-3100003	INFLATING HOSE	1
13	TC-10-1620003	AIR REGULATOR WASHER	2

STORAGE TANKS ASSEMBLY CT-K-4200000



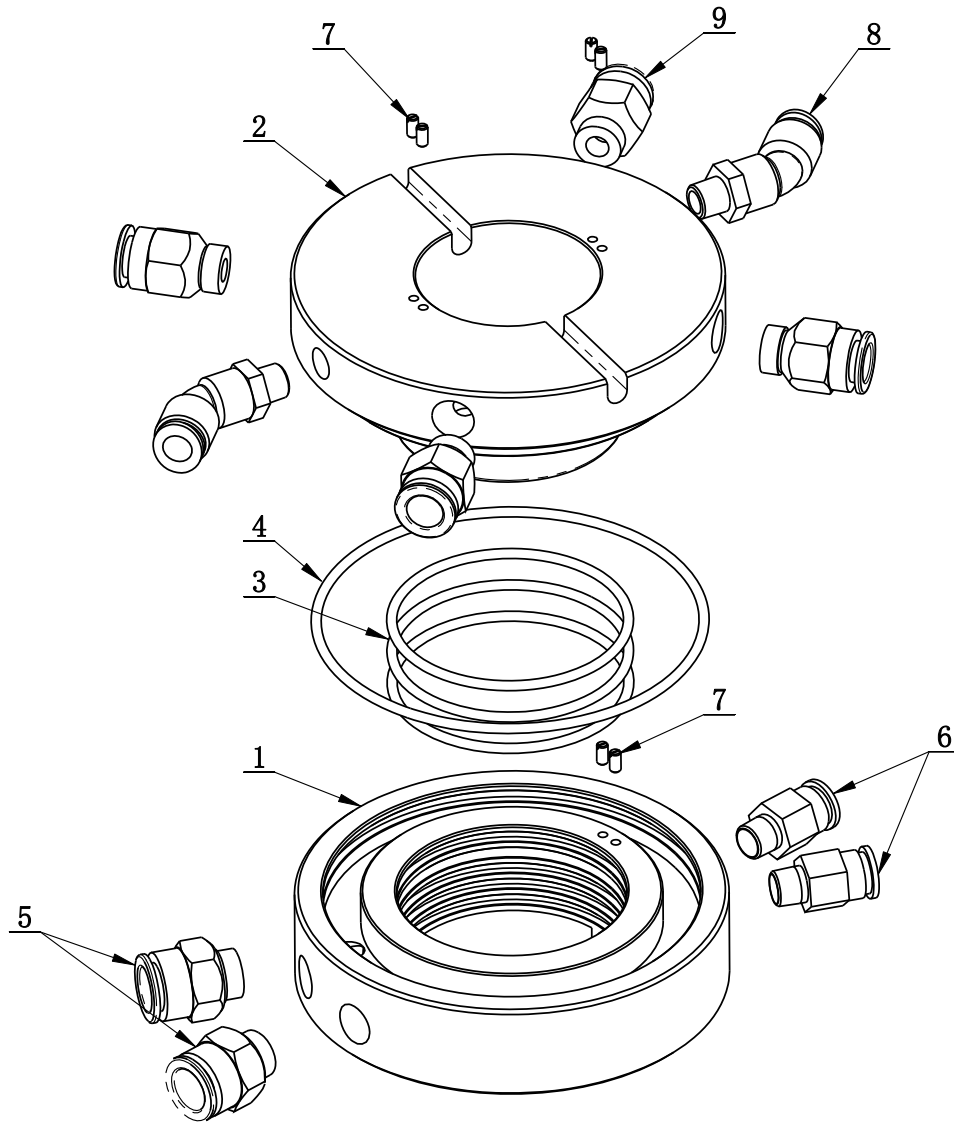
ITEM	PART. No	DESCRIPTION.	QT. Y
1	CT-K-4100001	SAFE VALVE	1
2	CT-K-4100002	ELBOW_90,G1"	1
3	CT-K-4210000	AIR TANK	1

BEAD BREAKER CYLINDER ASSEMBLY CT-LS-3100000

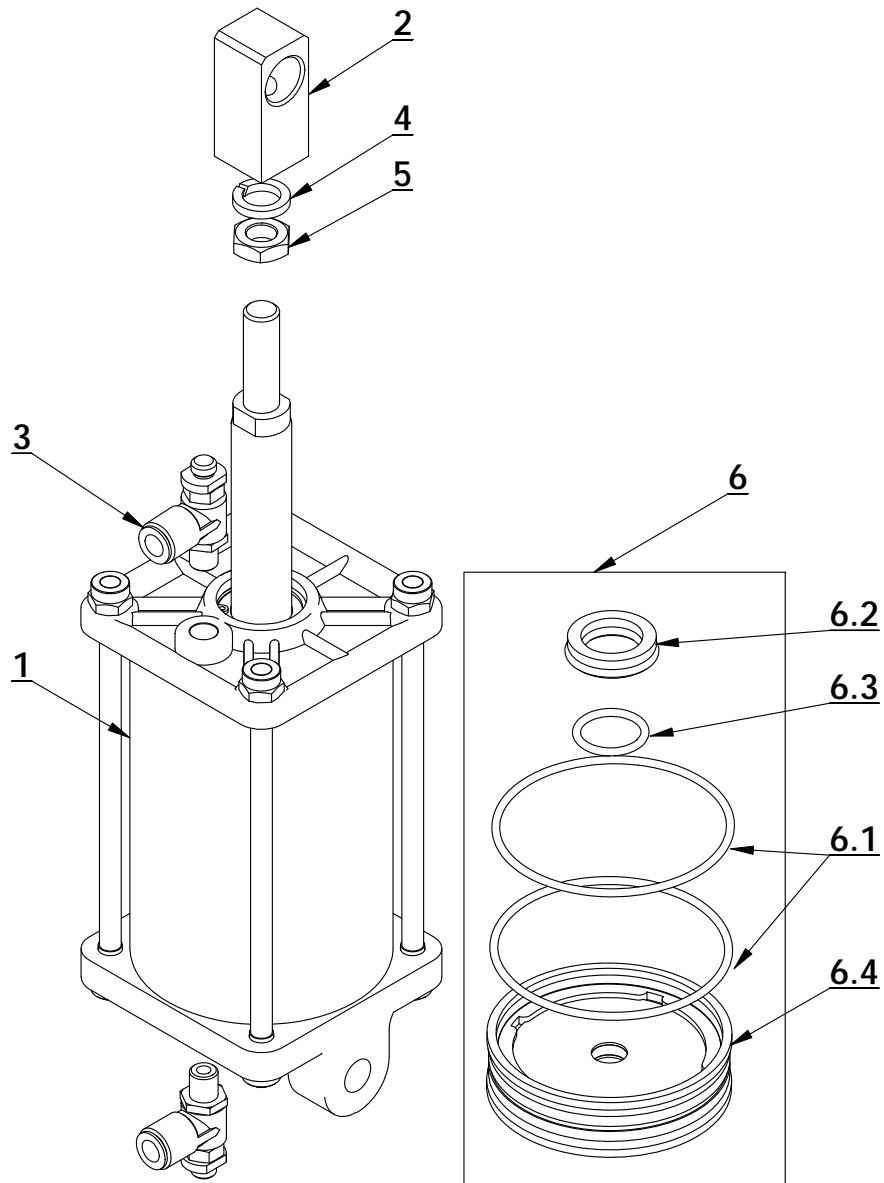


ITEM	PART. No	DESCRIPTION.	QT. Y
1	CT-LS-1100002	CYLINDER BODY	1
2	CT-LS-3100001	CYLINDER PISTON ROD	1
3	CT-LS-1100003	PISTON	1
4	CT-LS-1100004	CYLINDER COVER	1
5	CT-LS-1100005	SPACER	1
6	CT-LS-1100006	CLAMP RING	2
7	CT-LS-1100007	PISTON SUPPORT RING	1
8	CT-LS-1100008	GUIDER SPACER	1
9	CT-LS-1320000	QUICK DEFLATE VALVE ON BODY	1
10	FPL 8-02	INSERT ELBOW $\Phi 8$, R1/4	1
11	GB893. 2-30	ELASTIC RETAINING RING B-TYPE	1
12	GB70. 1-M6 \times 20	INNER HEXA CYLINDRICAL SCREW	12
13	GB95-6	FLAT WASHER	12
14	GB6177. 1-M6	HEXA FLANGE NUT	12
15	GB6171- M18 \times 1. 5	NUT THIN TOOTH	1
16	CT-LS-1110000	CYCLINDER SEALING PARTS ASSEMBLY	1
16. 1	CT-Y-0160007	SEAL-ROD, CYLNDR	1
16. 2	GB3452. 1-185 \times 3. 55-G	O-RING G TYPE	1
16. 3	CT-LS-1100009	Y-RING	2
16. 4	GB3452. 1-15. 5 \times 2. 65-G	HYDRAULIC-PNEUMATIC RUBBER O-RING G TYPE	1

铸铁导气体 (GT型) 分解图



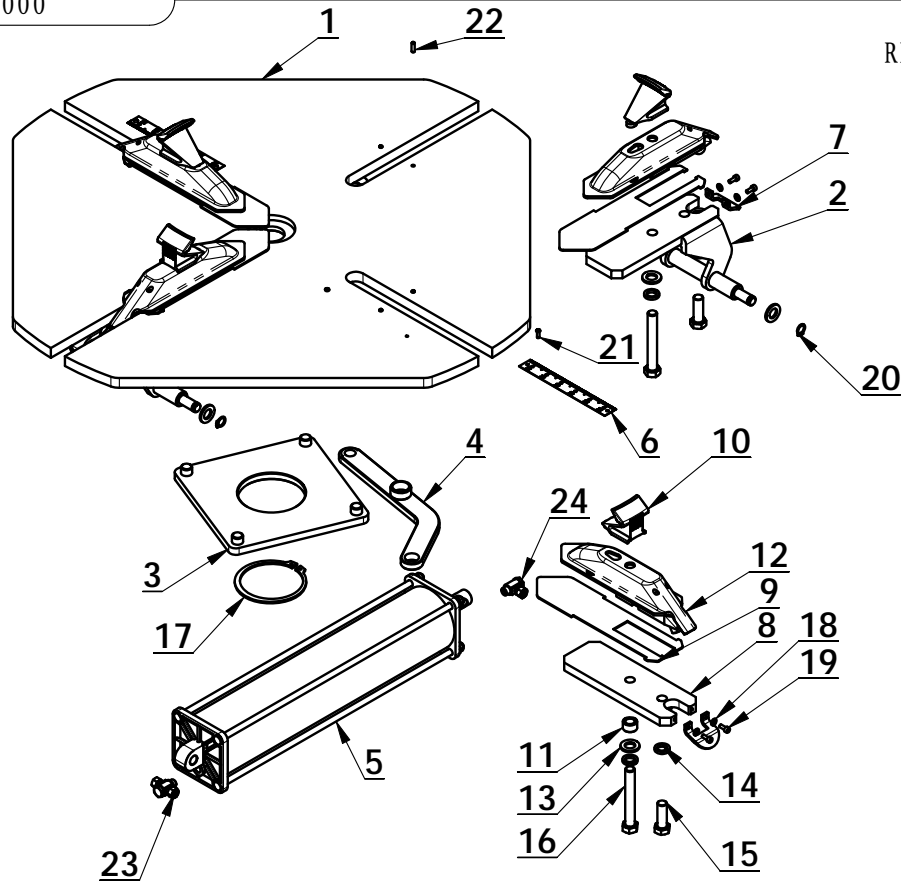
ITEM	PART. No	DESCRIPTION.	QT. Y
1	CT-Q-3000002	AIR GUIDE EXTERNAL BUSHING	1
2	CT-Q-3000001	AIR GUIDE ROTATION BUSHING	1
3	GB3452. 1-60×2. 65-G	HYDRAULIC-PNEUMATIC RUBBER O-RING G TYPE	3
4	GB3452. 1-100×2. 65-G	HYDRAULIC-PNEUMATIC RUBBER O-RING G TYPE	1
5	FPC 12-02	MALE STRAIGHT	2
6	FPC 8-01	MALE STRAIGHT	2
7	GB73-M3×6	SLOTTED FLATTEN HEAD SET SCREW	6
8	FPW 8-01	45° MALE ELBOW	2
9	FPC 10-02	MALE STRAIGHT	4



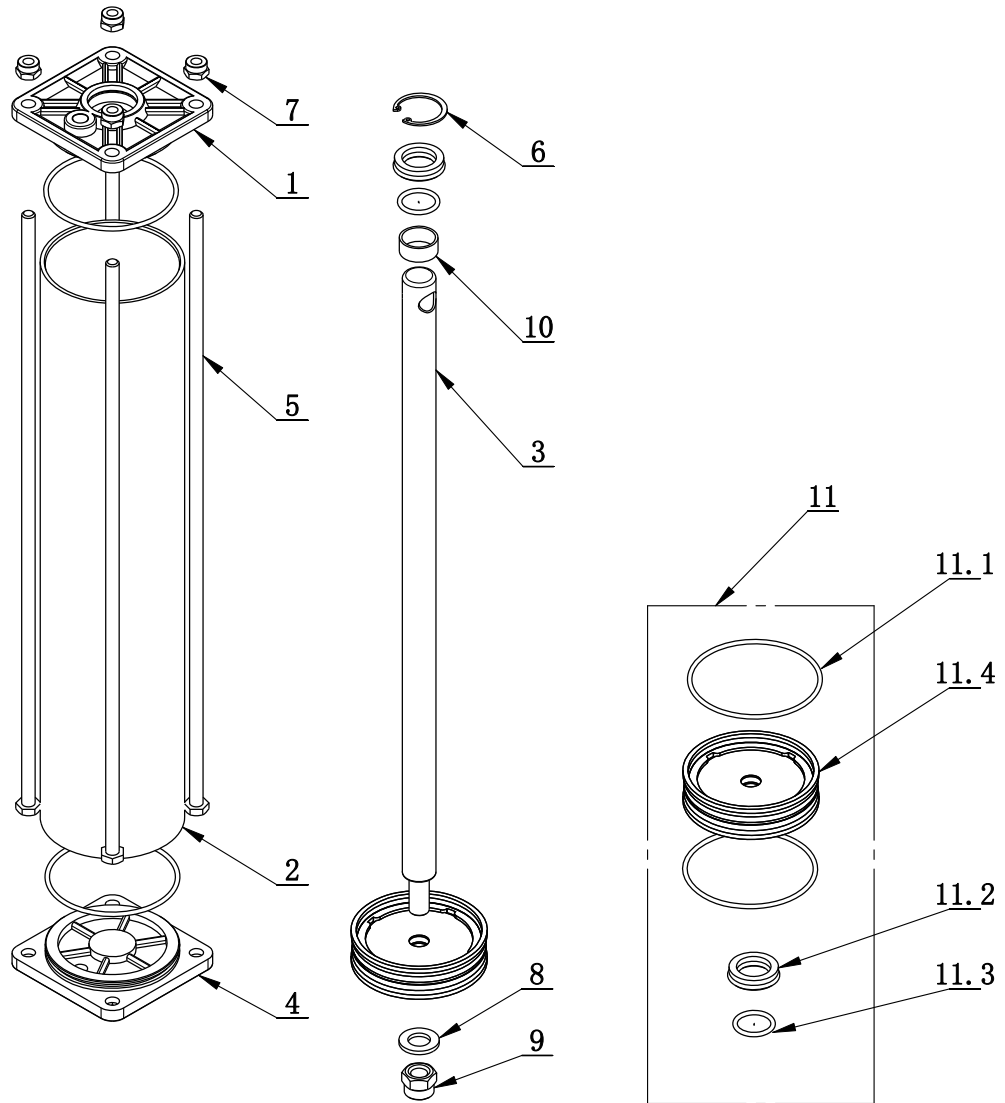
ITEM	PART. No	DESCRIPTION.	QT. Y
1	CT-XD-2200000	AIR CYLINDER	1
2	CT-XD-1000004	SHAFT CONNECTOR	1
3	FJSC 8-01	ELBOW SPEED CONTROLLER	2
4	GB93-12	STANDARD SPRING WASHER	1
5	GB/T6172.1-M12	HEXANGULAR THIN NUT	1
6	CT-XD-2100000	CYLINDER SEALING PARTS ASSEMBLY	1
6.1	GB3452.1-75 × 2.65	HYDRAULIC-PNEUMATIC RUBBER O-RING G TYPE	2
6.2	CT-Y-0160007	SEAL-ROD, CYLNDR	1
6.3	GB3452.1-20 × 2.65	HYDRAULIC-PNEUMATIC RUBBER O-RING G TYPE	1
6.4	CT-Y-4120006	PISTON	1

CT-Y-6100000

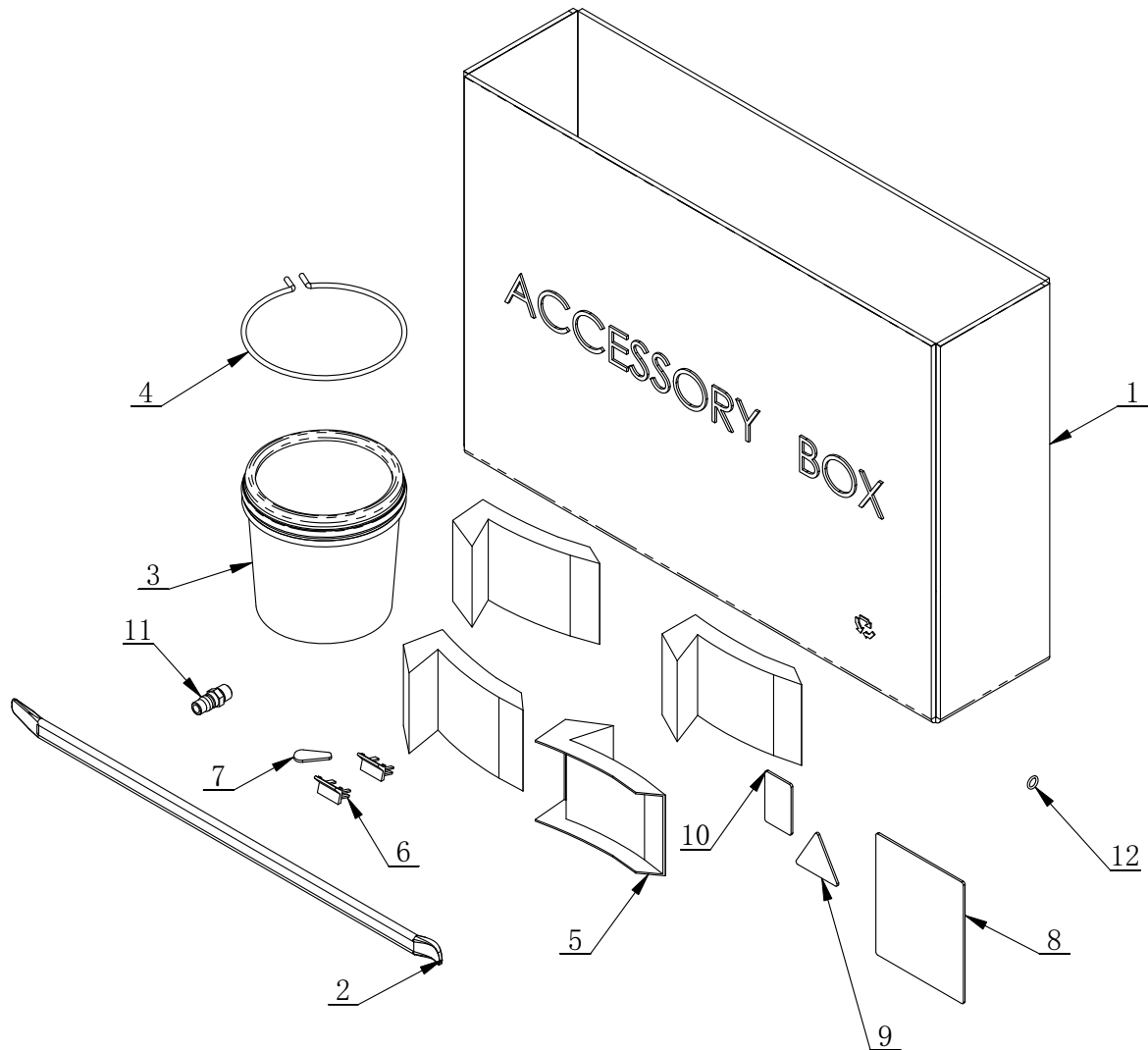
REVISION 15A-01



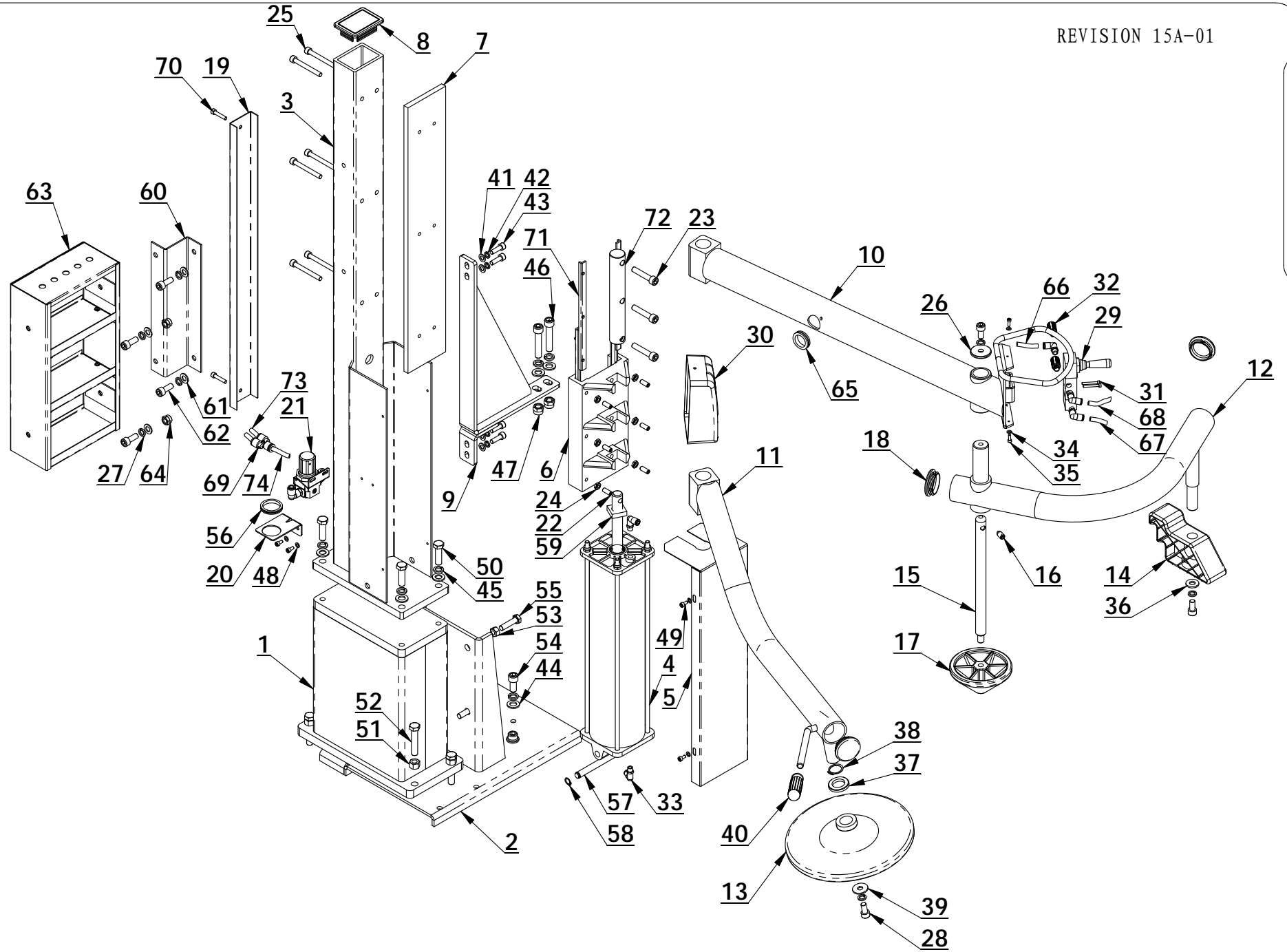
ITEM	PART. No	DESCRIPTION.	QT. Y
1	CT-Y-6110000	TURNTABLE	1
2	CT-Y-6120000	CYLINDER BRACKET	2
3	CT-Y-5030000	SQUARE TURNTABLE	1
4	CT-Y-5020000	CONNECTION PLATE	4
5	CT-Y-5010000	CYLINDER ASSEMBLY D80X350	2
6	CT-Y-6100001	SCALE	2
7	CT-Y-6100002	PROTECTION COVER	4
8	CT-Y-6100003	PRESS PLATE	2
9	CT-Y-6100004	WEARABLE WASHER	4
10	CT-Y-0100002	CLAMP	4
11	CT-Y-0100003	SPACER	4
12	CT-Y-0320000	SLIDE COVER	4
13	GB95-12	FLAT WASHER	12
14	GB93-12	STANDARD SPRING WASHER	8
15	GB5783-M12×35	HEXANGULAR BOLT	4
16	GB5782-M12×85	HEXANGULAR BOLT	4
17	GB894.2-85	SHAFT ELATIC RETAINING RING B-TYPE	1
18	GB95-4	FLAT WASHER	8
19	GB70.1-M4×10	INNER HEXA CYLINDRICAL SCREW	8
20	GB894.1-12	SHAFT ELATIC BIG RETAINING RING A-TYPE	4
21	GB827-3×10	LABEL RIVET	4
22	GB879.1-4×14	ELASTIC CYLINDRICAL PIN HEAVY	8
23	CT-Y-0100008	HINGE ELBOW Φ8	2
24	CT-Y-0100006	HINGE ELBOW Φ8 R1/8"	2



ITEM	PART. No	DESCRIPTION.	QT. Y
1	CT-Y-4120004	CYLINDER FRONT COVER	1
2	CT-Y-5010001	CYLINDER 80MM	1
3	CT-Y-5010002	SHAFT-CLYDR	1
4	CT-Y-4120005	CAP-BASE, CYLNDR	1
5	CT-Y-5010003	BOLT	4
6	GB893. 1-30	ELASTIC RETAINING RING A-TYPE	1
7	GB889. 1-M8	1-TYPE PREVAILING TORQUE TYPE HEXAGON LOCK NUT	4
8	GB95-12	FLAT WASHER	1
9	GB889. 1-M12	1-TYPE PREVAILING TORQUE TYPE HEXAGON LOCK NUT	1
10	JH1 2010	BEARING-SLIDE	1
11	CT-Y-4121000	CYCLINDER SEALING PARTS ASSEMBLY	1
11.1	GB3452. 1-75×2. 65-G	HYDRAULIC-PNEUMATIC RUBBER O-RING G TYPE	2
11.2	CT-Y-0160007	SEAL-ROD, CYLNDR	1
11.3	GB3452. 1-20×2. 65	HYDRAULIC-PNEUMATIC RUBBER O-RING G TYPE	1
11.4	CT-Y-4120006	PISTON	1

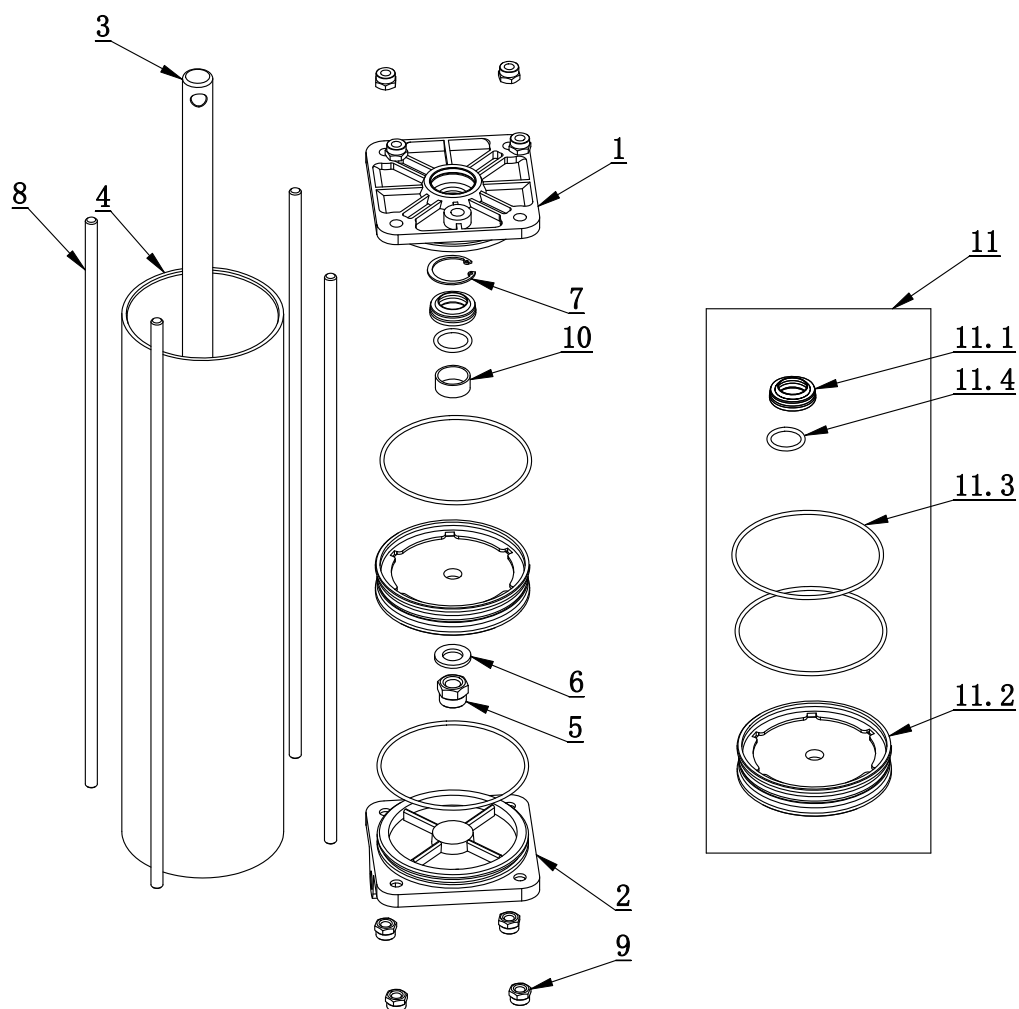


ITEM	PART. No	DESCRIPTION.	QT. Y
1	C-54-8000002	ACCESSORY BOX	1
2	C-54-8000003	20INCH CROWBAR	1
3	C-54-8100000	GREASE CONTAINER	1
4	C-54-8000004	BRACKET	1
5	C-54-8000005	CLAMP PROTECTION COVER	4
6	C-54-8000006	SHEATH	2
7	C-54-8000007	PLASTIC COVER	1
8	C-54-8000008	USER MANUAL	1
9	C-54-8000009	PASS CARD	1
10	C-54-8000010	GUARANTEE	1
11	C-54-8000011	AIR SUPPLY CONNECTOR	1
12	GB / T 3452.1-2005 8x2.65	HYDRAULIC-PNEUMATIC RUBBER O-RING G TYPE	1

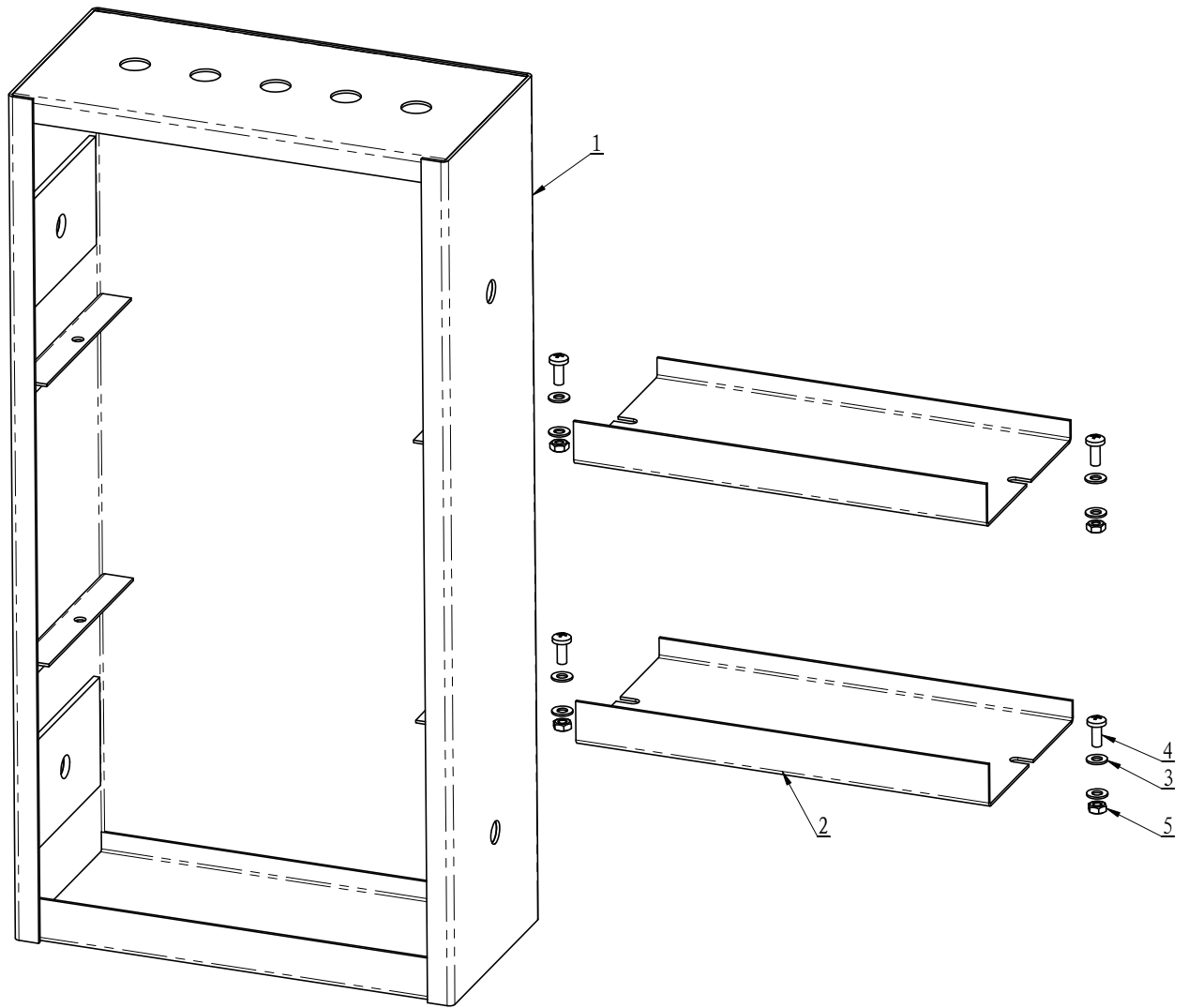


ITEM	PART. No	DESCRIPTION.	QT. Y
1	H-10-1800000	FIXTURE BRACKET	1
2	H-10-1700000	BASE SUPPORT	1
3	H-10-1400000	MAIN BODY BRACKET	1
4	H-10-1500000	LIFTING CYLINDER ASSEMBLY	1
5	H-10-1000012	CYLINDER COVER PLATE	1
6	H-10-1000001	英文名称	1
7	H-10-1000004	GUIDE RAIL	1
8	H-10-1000003	PROTECTIVE COVER	1
9	H-10-1600000	BRACKET	1
10	H-10-1100000	SUPPORTING ARM 895.890	1
11	H-10-1300000	BEAD BREAKER ARM	1
12	H-10-1200000	ROTATING ARM	1
13	H-10-1000011	TURNTABLE	1
14	H-10-1000006	PRESS BLOCK	1
15	H-10-1000009	CONNECTION ROD	1
16	H-10-1000025	LOCK SCREW	1
17	H-10-1000010	PRESS CONE	1
18	H-10-1000008	ROUND COVER	3
19	H-10-1000013	U-STEEL	1
20	H-10-1000014	BRACKET	1
21	H-40-1600000		1
22	GB77-M8×20	INNER HEXA FLAT TERMINUS SET SCREW	9
23	GB70. 1-M10×50	INNER HEXA CYLINDRICAL SCREW	3
24	GB6172. 1-M8	HEXANGULAR THIN NUT	9
25	GB70. 1-M8×70	INNER HEXA CYLINDRICAL SCREW	6
26	H-10-1000005	WASHER	1
27	GB93-10	STANDARD SPRING WASHER	7
28	GB70. 1-M10×20	INNER HEXA CYLINDRICAL SCREW	3
29	4H230-06A	CONTROL VALVE	1
30	H-10-1000020	HANDLE VALVE COVER	1
31	GB70. 1-M4×30	INNER HEXA CYLINDRICAL SCREW	3
32	FSK 01	PLASTIC PARTICLE SILENCER	2
33	FPL 6-01	MALE ELBOW	5
34	GB95-4	FLAT WASHER	3
35	GB70. 1-M4×12	INNER HEXA CYLINDRICAL SCREW	3
36	H-10-1000007	WASHER	1
37	H-10-1000017	WASHER	1
38	GB894. 2-25	SHAFT ELATIC RETAINING RING B-TYPE	1
39	GB96. 1-10	LARGE WASHER A GRADE	1
40	C-54-1300011	RUBBER COVER	1

ITEM	PART. No	DESCRIPTION.	QT. Y
41	GB95-8	FLAT WASHER	4
42	GB93-8	STANDARD SPRING WASHER	4
43	GB70. 1-M8×25	INNER HEXA CYLINDRICAL SCREW	4
44	GB95-12	FLAT WASHER	11
45	GB93-12	STANDARD SPRING WASHER	9
46	GB70. 1-M12×60	INNER HEXA CYLINDRICAL SCREW	2
47	GB889. 1-M12	1- TYPE PREVAILING TORQUE TYPE HEXAGON LOCK NUT	2
48	GB95-5	FLAT WASHER	6
49	GB70. 1-M5×10	INNER HEXA CYLINDRICAL SCREW	6
50	GB5781-M12×40	HEXANGULAR BOLT	4
51	GB41-M12	HEXANGULAR NUT	4
52	GB5780-M12×60	HEXANGULAR BOLT	4
53	GB41-M10	HEXANGULAR NUT	4
54	GB70. 1-M12×25	INNER HEXA CYLINDRICAL SCREW	3
55	GB5781-M10×40	HEXANGULAR BOLT	4
56	H-12-1000003	SILENCER RING	1
57	H-80-1000007	CYLINDER SHAFT	1
58	GB894. 1-12	SHAFT ELATIC BIG RETAINING RING A-TYPE	2
59	H-12-1000001	FELT WASHER	1
60	H-10-1000015	FIXTURE PLATE	1
61	GB95-10	FLAT WASHER	4
62	GB70. 1-M10×25	INNER HEXA CYLINDRICAL SCREW	4
63	H-10-1900000	TOOL BOX ASSY	1
64	GB889. 1-M10	1-TYPE PREVAILING TORQUE TYPE HEXAGON LOCK NUT	2
65	H-12-0000002	PROTECTION RING	1
66	Φ6X4PU A	PU HOSE A Φ6X4	1
67	Φ6X4 PU B	PU HOSE B Φ6X4	1
68	Φ6X4 PU C	PU HOSE C Φ6X4	1
69	FPY-8	UNION Y	1
70	GB70. 1-M6×30	INNER HEXA CYLINDRICAL SCREW	2
71	H-10-1000016	英文名称	4
72	H-10-1000002	SHAFT CONNECTOR	1
73	Φ8x5-PU	PU HOSE Φ8x5	2
74	PU-0800900	PU HOSE Φ8x5	1



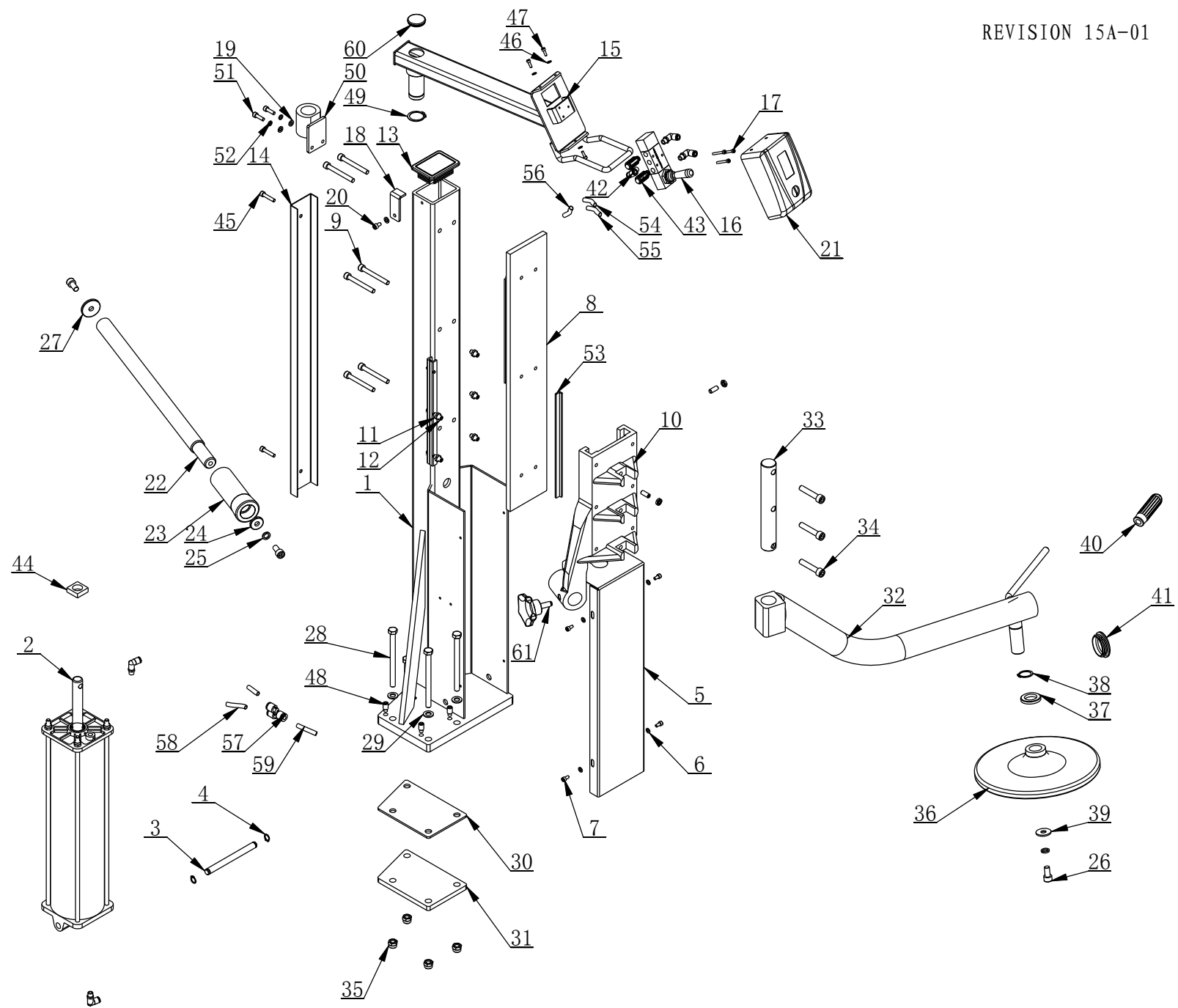
ITEM	PART. No	DESCRIPTION.	QT. Y
1	H-10-1500002	CYLINDER FRONT COVER	1
2	H-10-1500005	CYLINDER BEAR COVER	1
3	H-10-1500004	PISTON ROD	1
4	H-10-1500003	CYLINDER	1
5	GB889. 1-M12	1- TYPE PREVAILING TORQUE TYPE HEXAGON LOCK NUT	1
6	GB95-12	FLAT WASHER	1
7	GB893. 1-30	ELASTIC RETAINING RING A-TYPE	1
8	H-10-1500006	BOLT	4
9	GB889. 1-M8	1-TYPE PREVAILING TORQUE TYPE HEXAGON LOCK NUT	8
10	JH1 2010	BEARING-SLIDE	1
11	H-10-1590000	CYCLINDER SEALING PARTS ASSEMBLY	1
11. 1	BYXQ30x20x7	SEAL-ROD, CYLNDR	2
11. 2	H-10-1500001	PISTON	1
11. 3	GB3452. 1-95×2. 65-G	HYDRAULIC-PNEUMATIC RUBBER O-RING G TYPE	2
11. 4	GB3452. 1-20×2. 65-G	HYDRAULIC-PNEUMATIC RUBBER O-RING G TYPE	1



ITEM	PART. No	DESCRIPTION.	QT. Y
1	H-10-1910000	TOOL BOX ASSY WELDING	1
2	H-10-1900002	SPACE	2
3	GB95-4	FLAT WASHER	8
4	GB818-M4 × 10-H	CROSS PANHEAD SCREW	4
5	GB6170-M4	HEXANGULAR NUT 1-TYPE	4

REVISION 15A-01

H-30-1000000



ITEM	PART. No	DESCRIPTION.	QT. Y
1	H-30-1300000	MAIN BODY BRACKET	1
2	H-10-1500000	LIFTING CYLINDER ASSEMBLY	1
3	H-10-1000018	SUPPORTING SHAFT	1
4	GB894. 1-12	SHAFT ELATIC BIG RETAINING RING A-TYPE	2
5	H-10-1000025	CYLINDER COVER PLATE	1
6	GB95-5	FLAT WASHER	4
7	GB70. 1-M5×10	INNER HEXA CYLINDRICAL SCREW	4
8	H-10-1000004	GUIDE RAIL	1
9	GB70. 1-M8×70	INNER HEXA CYLINDRICAL SCREW	6
10	H-30-1000001	MOBILE CARRIAGE	1
11	GB6172. 1-M8	HEXANGULAR THIN NUT	7
12	GB77-M8×20	INNER HEXA FLAT TERMINUS SET SCREW	7
13	H-10-1000003	PROTECTIVE COVER	1
14	H-10-1000013	U-STEEL	1
15	H-30-1100000	BRACKET	1
16	4H230-06A	CONTROL VALVE	1
17	GB70. 1-M4×30	INNER HEXA CYLINDRICAL SCREW	3
18	H-30-1000002	BLOCK PLATE	1
19	GB95-6	FLAT WASHER	3
20	GB70. 1-M6×10	INNER HEXA CYLINDRICAL SCREW	1
21	H-10-1000020	HANDLE VALVE COVER	1
22	H-30-1000005	MOVABLE SHAFT	1
23	H-30-1000003	PRESS CONE	1
24	H-30-1000004	CONE ROLLER WASHER	1
25	GB93-10	STANDARD SPRING WASHER	2
26	GB70. 1-M10×20	INNER HEXA CYLINDRICAL SCREW	3
27	H-30-1000006	WASHER	1
28	GB5782-M10×130	HEXANGULAR BOLT	4
29	GB95-10	FLAT WASHER	4
30	H-30-1000008	PAD PLATE	1
31	H-30-1000007	BOTTOM FLAT PLATE	1
32	H-30-1200000	BEAD LIFTING ARM	1
33	H-10-1000002	SHAFT CONNECTOR	1
34	GB70. 1-M10×50	INNER HEXA CYLINDRICAL SCREW	3
35	GB889. 1-M10	1-TYPE PREVAILING TORQUE TYPE HEXAGON LOCK NUT	4
36	H-10-1000011	TURNTABLE	1
37	H-10-1000017	WASHER	1
38	GB894. 1-25	SHAFT ELATIC BIG RETAINING RING A-TYPE	1
39	GB96. 1-10	LARGE WASHER A GRADE	1
40	C-54-1300011	RUBBER COVER	1

ITEM	PART. No	DESCRIPTION.	QT. Y
41	H-10-1000008	ROUND COVER	1
42	FPL 6-01	MALE ELBOW	5
43	FSK 01	PLASTIC PARTICLE SILENCER	2
44	H-12-1000001	FELT WASHER	1
45	GB70. 1-M6×30	INNER HEXA CYLINDRICAL SCREW	2
46	GB95-4	FLAT WASHER	3
47	GB70. 1-M4×12	INNER HEXA CYLINDRICAL SCREW	3
48	GB79-M10×20	INNER HEXA CYLINDRICAL TERMINUS SET SCREW	4
49	GB894. 1-30	SHAFT ELATIC BIG RETAINING RING A-TYPE	1
50	H-30-1310000	FIX COVER WELDING	1
51	GB70. 1-M6×20	INNER HEXA CYLINDRICAL SCREW	2
52	GB93-6	STANDARD SPRING WASHER	2
53	H-10-1000016	英文名称	4
54	PU-0602200	PU-0602200	1
55	PU-0602400	PU HOSE A Φ6X4	1
56	PU-0602400	PU HOSE C Φ6X4	1
57	FPY-8	UNION Y	1
58	PU-0800600	PU HOSE Φ8x5	2
59	PU-0800900	PU HOSE Φ8x5	1
60	B-73-1000007	ORNAMENT STOP-UP	1
61	H-80-1003000	HAND OF FIVE STARS	1