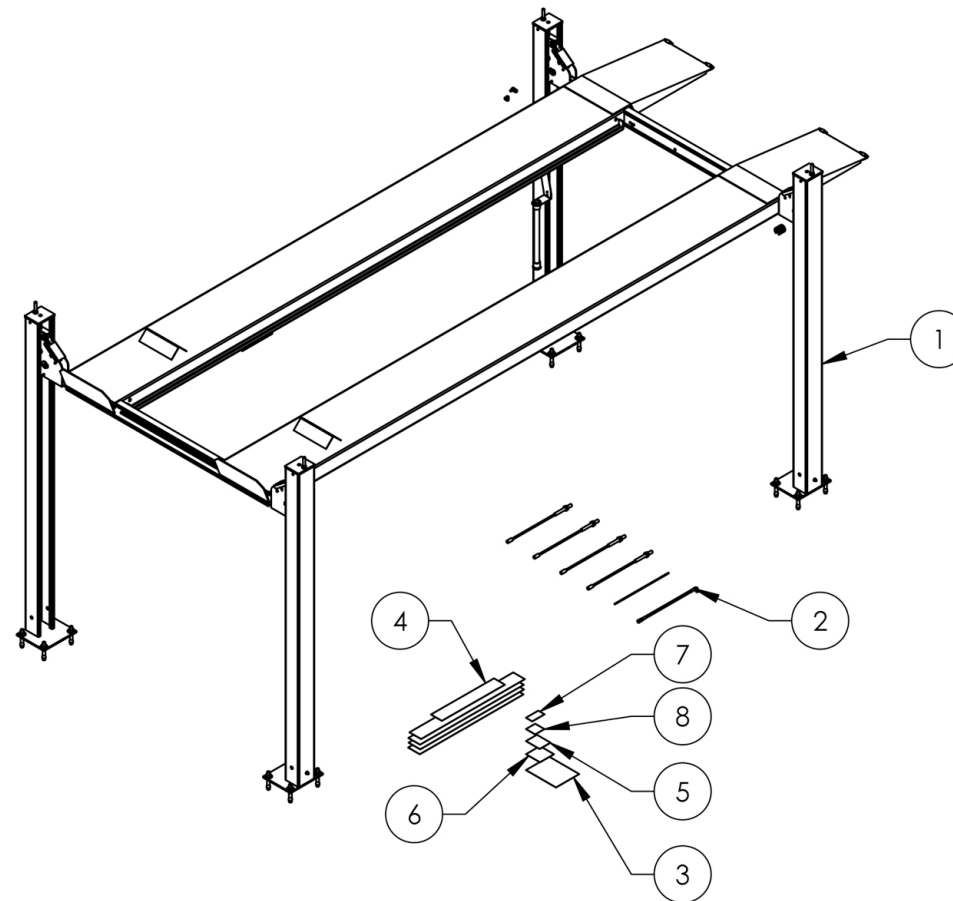


# Service Manual

Service Parts & Diagrams

# HD-9STX

**BendPak SKU 5260028**  
**HD-9STX Four-Post Car Lift**  
**Version K**  
**06/03/2016**



This guide is a troubleshooting reference used for maintaining and servicing your BendPak product. It provides comprehensive information on identifying serviceable parts and components and assists in troubleshooting problems and performing assembly/disassembly procedures.



#### **BendPak, Inc. Corporate Office**

1645 Lemonwood Drive  
Santa Paula, CA 93060 USA  
Toll Free US/Canada: 1-800-253-2363  
Fax: 1-805-933-9160  
info@bendpak.com

#### **Customer Service Desk / Warranty**

Customer Service Representatives  
Office Tel: 1-805-933-9970  
Toll Free US/Canada: 1-800-253-2363  
Fax: 1-805-933-9160  
customerservice@bendpak.com

#### **Parts Orders**

Customer Service Representatives  
Office Tel: 1-805-933-9970  
Toll Free US/Canada: 1-800-253-2363  
Fax: 1-805-933-9160  
parts@bendpak.com

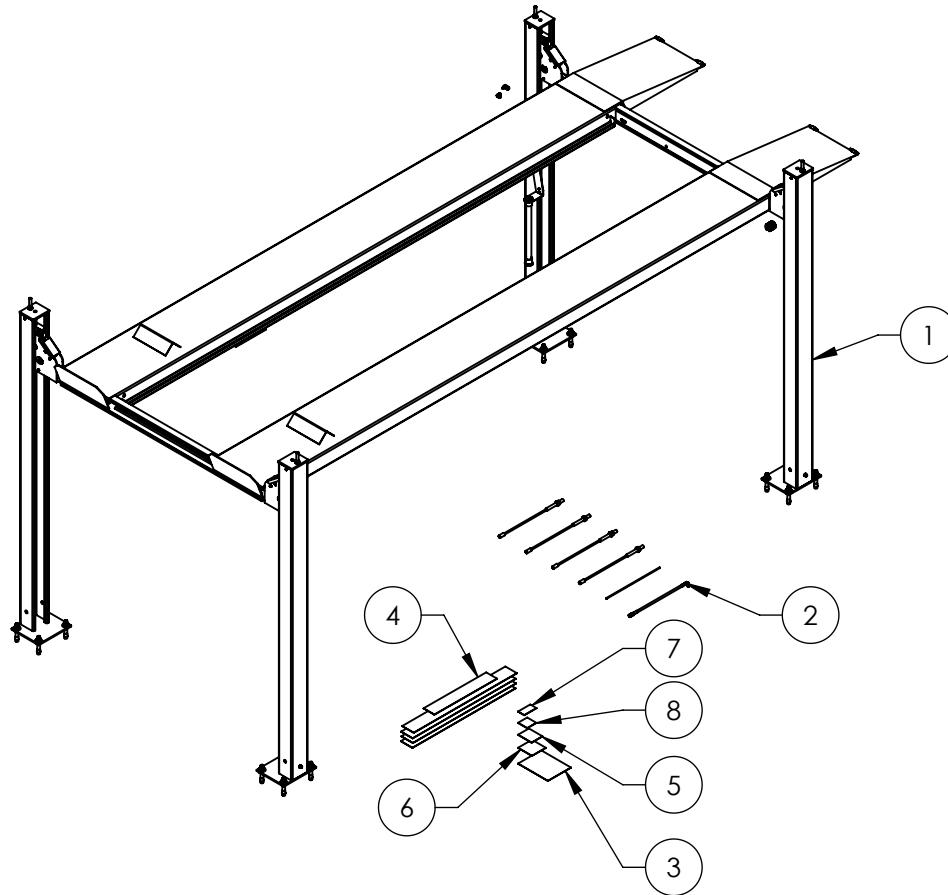
#### **Domestic Sales & Service**

USA Sales Representatives  
Office Tel: 1-805-933-9970  
Toll Free US/Canada: 1-800-253-2363  
Fax: 1-805-933-9160  
sales@bendpak.com

#### **International Sales & Service**

Office Tel: 1-805-933-9970  
Exports Department: 1-805-933-9970 Ext. 192  
Toll Free US/Canada: 1-800-253-2363  
Fax: 1-805-933-9160  
bpkexports@bendpak.com

		REVISION		
REV	DESCRIPTION	DATE	EDITED BY	ECO#
C	ADDED 5905103, 5905200, 5905402, 5905465, 5905940, AND 5930605. UPDATED BOM REVISIONS	08/14/2015	TM	00683
D	REMOVED 5930605, ADDED 5905952 UPDATED BOM REVISIONS	12/2/2015	JM	00740
E	REPLACED 5905952 WITH 5905953 UPDATED BOM REVISIONS	12/30/2015	JM	00741

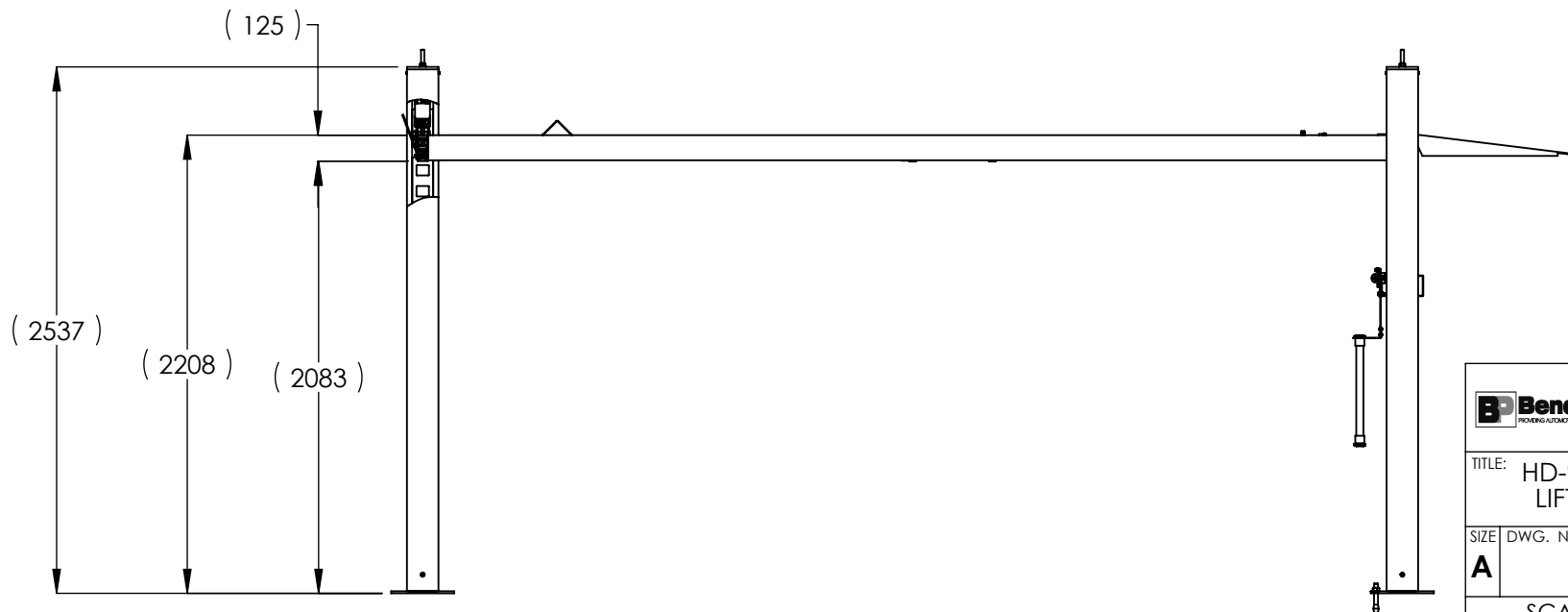
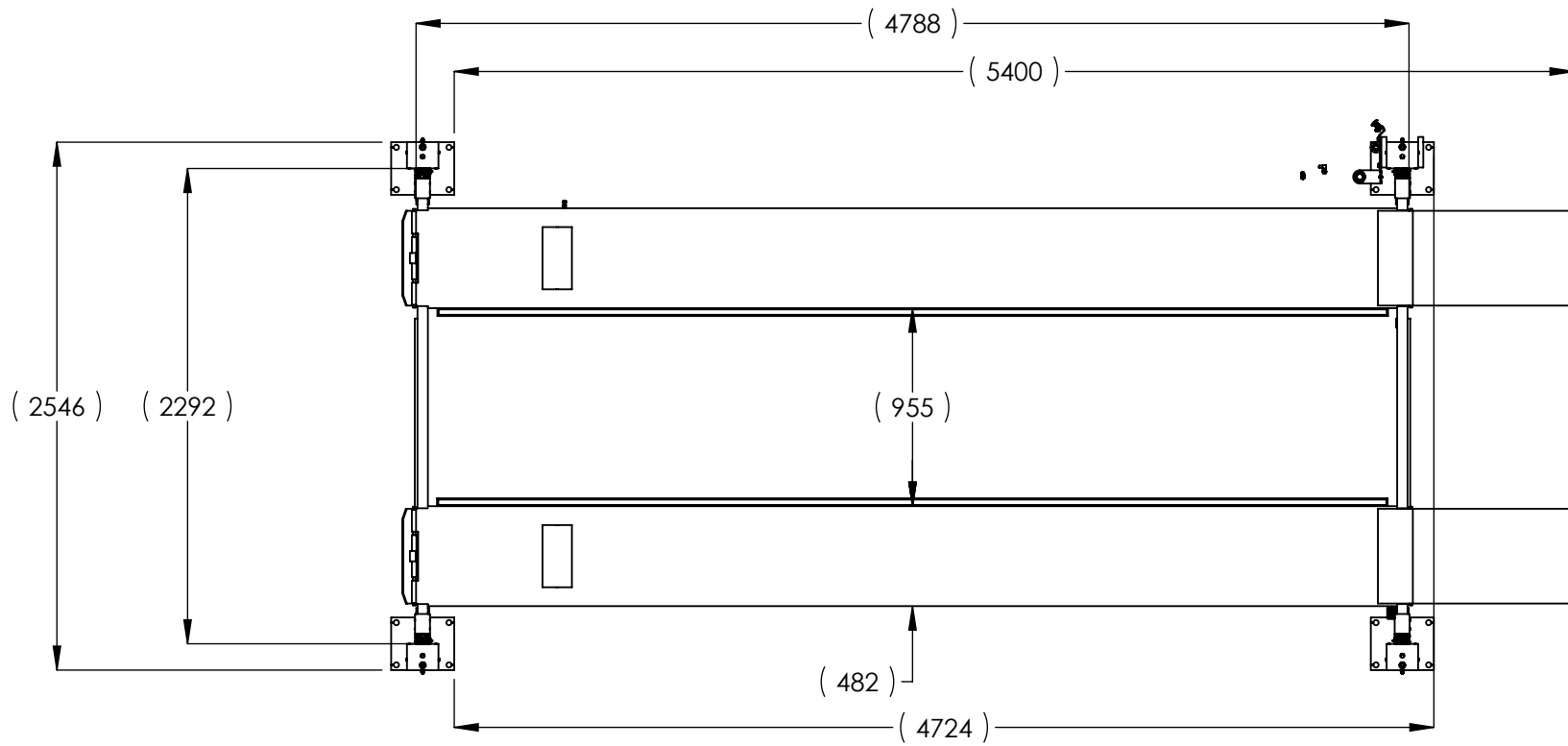



ITEM NO.	PART NUMBER	DESCRIPTION	QTY.	REV
1	5245392	HD-9STX LIFT SUPERSTRUCTURE	1	E
2	5250189	PARTS BOX HD-9STX	1	E
3	5905103	WARNING ALI/WL 200	1	--
4	5905200	4 POST DECAL KIT, LESS ALI	1	B
5	5905402	MAX CAP DANGER	1	--
6	5905465	MANUFACTURER LABEL	1	--
7	5905940	PRODUCT DATA LABEL	1	--
8	5905953	SERIAL NUMBER INTERIOR TAG PLATE	1	--

DO NOT SCALE DRAWING	NAME	DATE	1645 LEMONWOOD DR. SANTA PAULA, CA 93060
	DRAWN	TM 08/12/2014	
DIMENSIONS ARE IN MM	CHECKED	-	
	THIRD ANGLE PROJECTION		TITLE: HD-9STX PRODUCTION LIFT VER K (CE CERT)
			SIZE DWG. NO.
	<small>PROPRIETARY AND CONFIDENTIAL THE INFORMATION CONTAINED IN THIS DRAWING IS THE SOLE PROPERTY OF BENDPAK INC. ANY REPRODUCTION IN PART OR AS A WHOLE WITHOUT THE WRITTEN PERMISSION OF BENDPAK INC. IS PROHIBITED.</small>		REV
SCALE: 1:50			A 5260528 E
			SHEET 1 OF 2

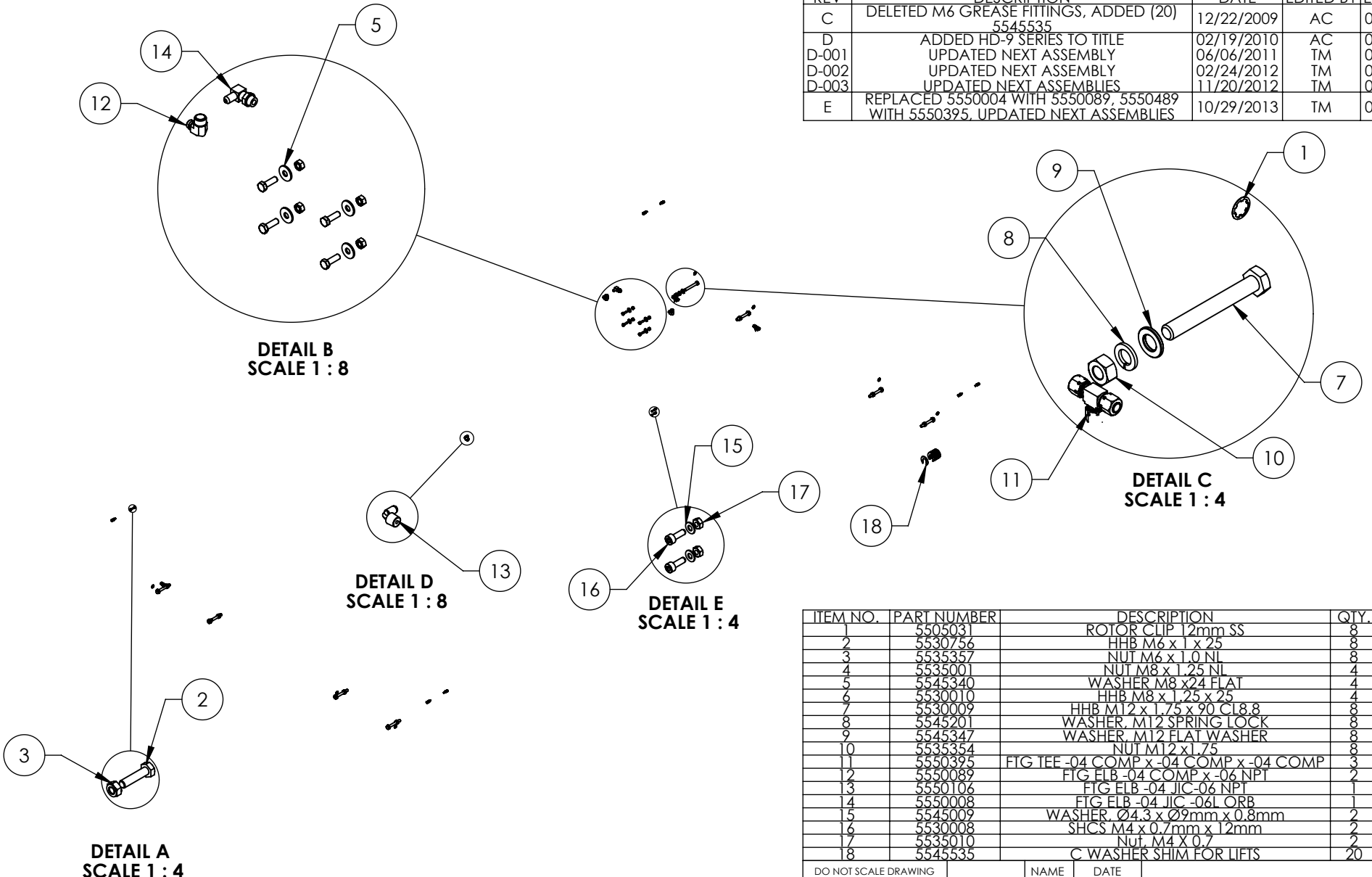
**NOTE: UNLESS OTHERWISE SPECIFIED.**

1. SEE SHIPPING INSTRUCTIONS FOR FINAL PACKAGING
2. ALL LABELS TO BE APPLIED TO POSTS AFTER PAINTING.
3. SEE ATTACHED LABEL PLACEMENT SHEET



 <b>BendPak.</b> 1645 LEMONWOOD DR. <small>PROVIDING AUTOMATIC SERVICE SOLUTIONS</small> SANTA PAULA, CA 93060		
TITLE: HD-9STX PRODUCTION LIFT VER K (CE CERT)		
SIZE	DWG. NO.	REV
<b>A</b>	5260528	E
SCALE: 1:35		SHEET 2 OF 2

REV	DESCRIPTION	DATE	EDITED BY	ECO#
C	DELETED M6 GREASE FITTINGS, ADDED (20) 5545535	12/22/2009	AC	00326
D	ADDED HD-9 SERIES TO TITLE	02/19/2010	AC	00333
D-001	UPDATED NEXT ASSEMBLY	06/06/2011	TM	00464
D-002	UPDATED NEXT ASSEMBLY	02/24/2012	TM	00501
D-003	UPDATED NEXT ASSEMBLIES	11/20/2012	TM	00562
E	REPLACED 5550004 WITH 5550089, 5550489 WITH 5550395, UPDATED NEXT ASSEMBLIES	10/29/2013	TM	00593



ITEM NO.	PART NUMBER	DESCRIPTION	QTY.	REV
1	5505031	ROTOR CLIP 12mm SS	8	-
2	5530756	HHB M6 x 1 x 25	8	-
3	5535357	NUT M6 x 1.0 NL	8	-
4	5535001	NUT M8 x 1.25 NL	4	A
5	5545340	WASHER M8 x 24 FLAT	4	-
6	5530010	HHB M8 x 1.25 x 25	4	B
7	5530009	HHB M12 x 1.75 x 90 Cl8.8	8	-
8	5545201	WASHER, M12 SPRING LOCK	8	-
9	5545347	WASHER, M12 FLAT WASHER	8	-
10	5535354	NUT M12 x 1.75	8	-
11	5550395	FTG TEE -04 COMP x -04 COMP x -04 COMP	3	-
12	5550089	FTG FLB -04 COMP x -06 NPT	2	-
13	5550106	FTG FLB -04 JIC-06 NPT	1	-
14	5550008	FTG FLB -04 JIC -06L ORB	1	-
15	5545009	WASHER, Ø4.3 x Ø9mm x 0.8mm	2	-
16	5530008	SHCS M4 x 0.7mm x 12mm	2	-
17	5535010	Nut, M4 X 0.7	2	-
18	5545535	C WASHER SHIM FOR LIFTS	20	-

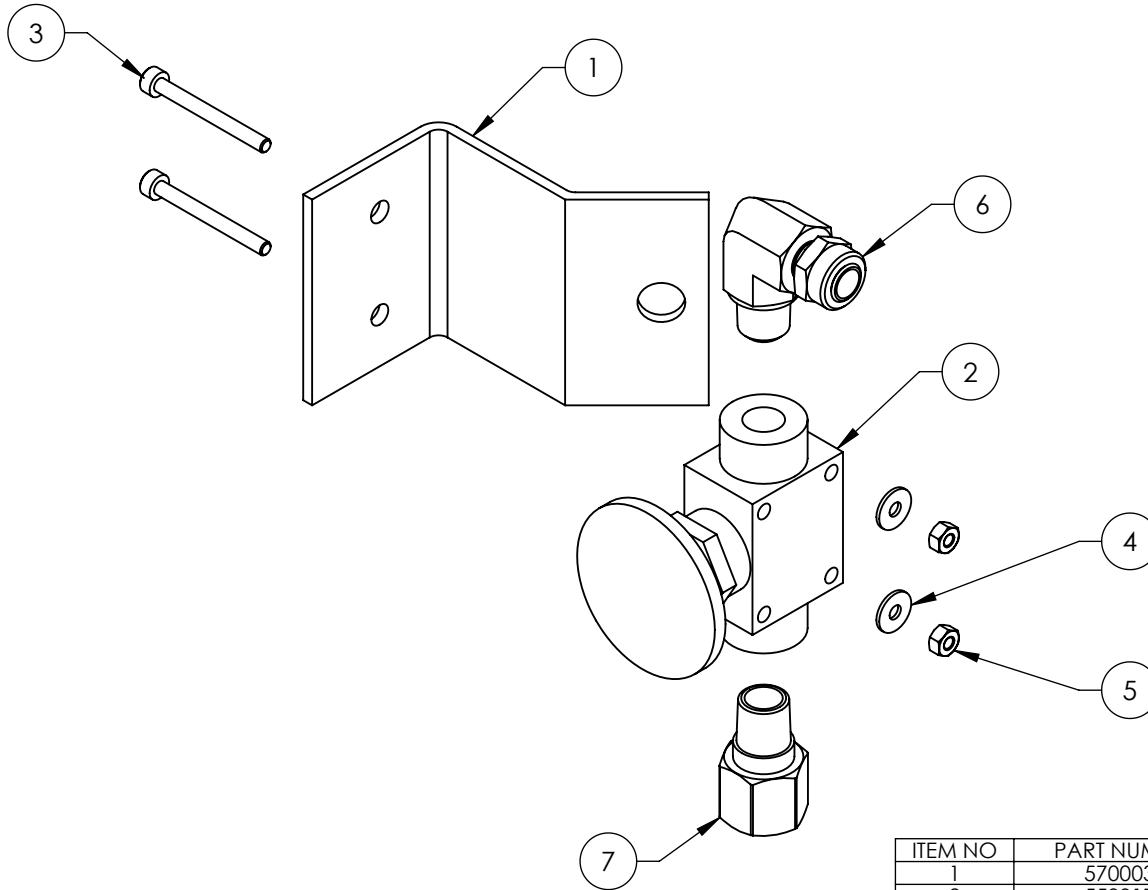
DO NOT SCALE DRAWING	NAME	DATE	1645 LEMONWOOD DR. SANTA PAULA, CA 93060
DIMENSIONS ARE IN MM	DRAWN	AC 08/08/2008	
	CHECKED		TITLE: HD-7/9 SERIES PARTS BAG
	THIRD ANGLE PROJECTION		
MATERIAL: ---	PROPRIETARY AND CONFIDENTIAL THE INFORMATION CONTAINED IN THIS DRAWING IS THE SOLE PROPERTY OF BENDPAK INC. ANY REPRODUCTION IN PART OR AS A WHOLE WITHOUT THE WRITTEN PERMISSION OF BENDPAK INC. IS PROHIBITED.		SIZE DWG. NO. <b>A</b> 5174092
SIZE: ---			REV E
SCALE: 1:30			SHEET 1 OF 1

NEXT ASSEMBLY
5250164
5250167
5250168
5250169
5250184
5250185
5250187
5250188
5250189

**NOTE: UNLESS OTHERWISE SPECIFIED.**

1. SEE SHIPPING INSTRUCTIONS FOR FINAL PACKAGING

		REVISION		
REV	DESCRIPTION	DATE	EDITED BY	ECO#
D	UPDATED NEXT ASSEMBLY, ADDED 5550486	02/24/2010	AC	00333
D-001	UPDATED NEXT ASSEMBLY	01/21/2011	TM	00439
D-010	UPDATED NEXT ASSEMBLIES	07/24/2013	TM	00611
E	REPLACED 5550481 WITH 5550087	10/29/2013	TM	00593
F	REPLACED 5590240 WITH 5590175, UPDATED NEXT ASSEMBLIES	05/05/2015	MR	00683



ITEM NO	PART NUMBER	DESCRIPTION	QTY	REV
1	5700031	ZERO ANGLE MTG BRACKET	1	C
2	5590175	PUSH BUTTON AIR VALVE	1	B
3	5530043	SHCS M3 x 0.5 x 30	2	-
4	5545024	WASHER M3 x 9mm	2	-
5	5535020	NUT M3 x 0.5 NL	2	-
6	5550087	FTG ELB -04 COMP x -02 NPT	1	-
7	5550486	FTG NPL -02 NPT x -04 F NPT	1	-

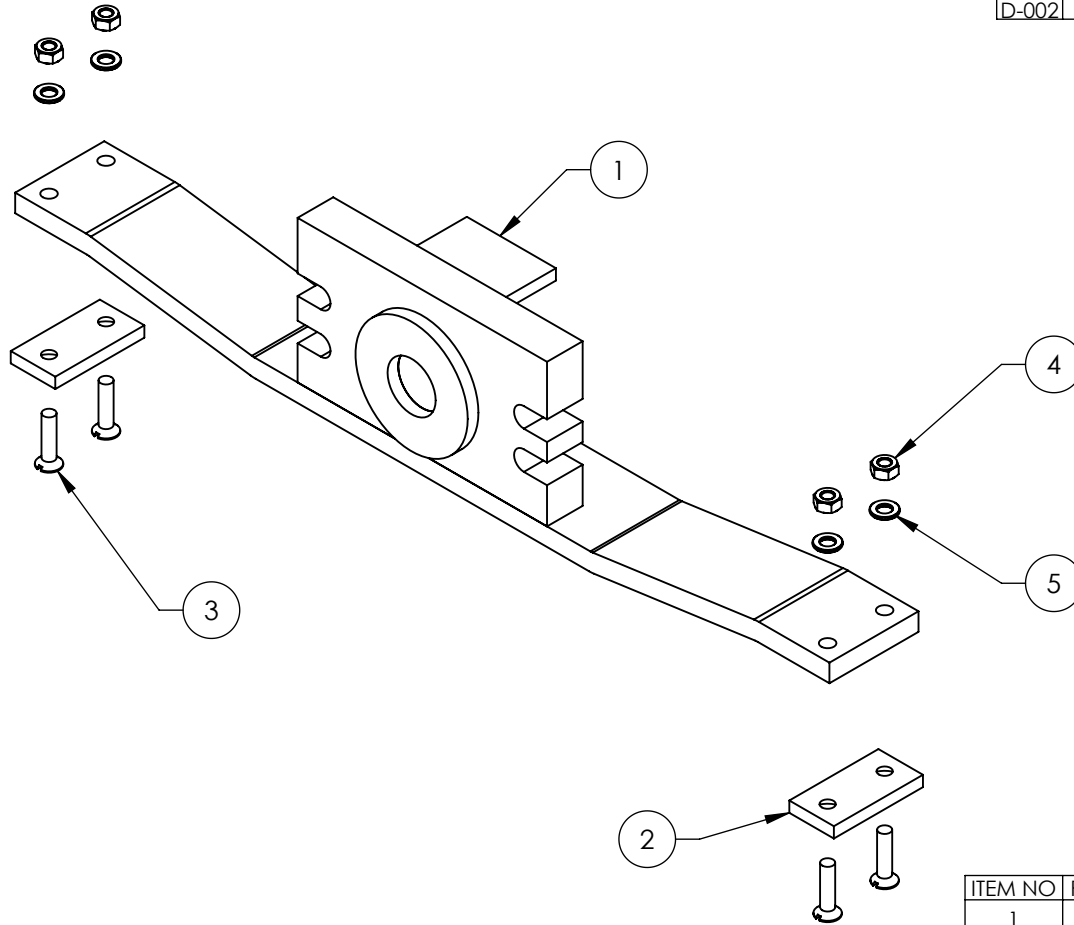
DO NOT SCALE DRAWING		NAME	DATE	1645 LEMONWOOD DR. SANTA PAULA, CA 93060
		DRAWN	AC 3/14/2008	
		CHECKED	CA 09/02/2015	
DIMENSIONS ARE IN MM		THIRD ANGLE PROJECTION		TITLE:
				PUSH BUTTON AIR ASSEMBLY
				SIZE DWG. NO.
		A 5215096		F
SCALE: 2:3			SHEET 1 OF 1	

**NOTE: UNLESS OTHERWISE SPECIFIED.**  
 1. ASSEMBLE ITEMS AS SHOWN

NEXT ASSEMBLY
HD/HDS/HDSO
SERIES
5250118
5250249
5250364

PROPRIETARY AND CONFIDENTIAL  
 THE INFORMATION CONTAINED IN THIS DRAWING IS  
 THE SOLE PROPERTY OF BENDPAK INC. ANY  
 REPRODUCTION IN PART OR AS A WHOLE WITHOUT  
 THE WRITTEN PERMISSION OF BENDPAK INC. IS  
 PROHIBITED.

REVISION				
REV	DESCRIPTION	DATE	EDITED BY	ECO#
B	UPDATED BOM REVISIONS, UPDATED NEXT ASSEMBLY	11/14/2008	AC	00174
C	UPDATED BOM REVISION	04/22/2010	TM	00351
D	UPDATED TITLE TO REFLECT WHERE USED, UPDATED BOM REVISIONS	06/10/2010	AC	00366
D-001	UPDATED NEXT ASSEMBLY	01/20/2011	TM	00439
D-002	UPDATED NEXT ASSEMBLY	06/06/2011	TM	00464



ITEM NO	PART NUMBER	DESCRIPTION	QTY	REV
1	5600901	HD-7500/9 SERIES CYLINDER FLANGE ARM WELDMENT	1	D
2	5715090	CYL. FLANGE ARM SLIDE	2	A
3	5530069	FHS M6 x 1.0 x 25	4	-
4	5535357	NUT M6 x 1.0 NL	4	-
5	5545005	M6 FLAT WASHER	4	-

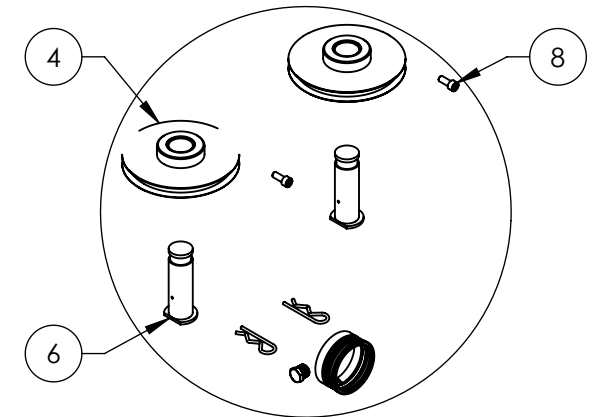
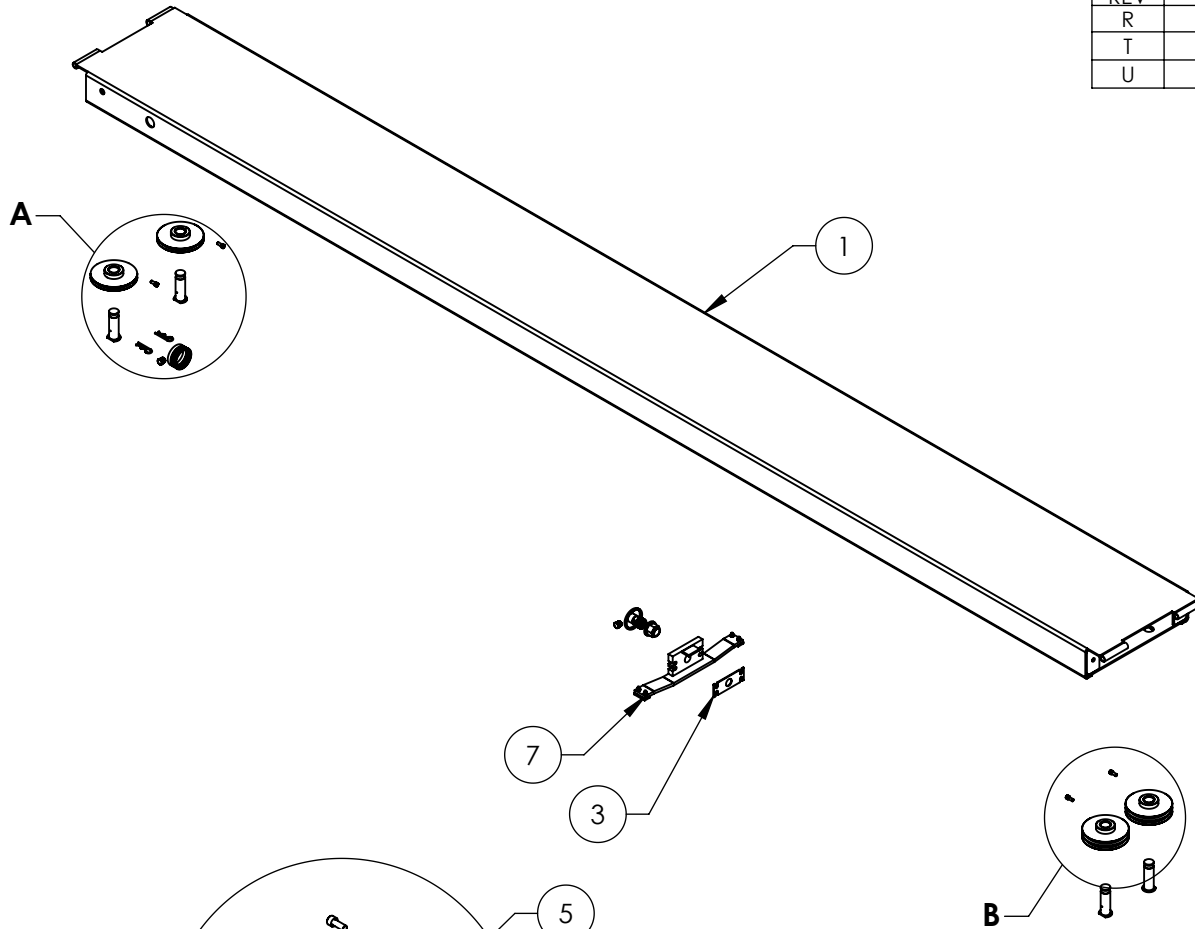
DO NOT SCALE DRAWING	NAME	DATE	1645 LEMONWOOD DR. SANTA PAULA, CA 93060
DIMENSIONS ARE IN MM	DRAWN AC	08/21/2008	
	CHECKED MT	07/06/2011	TITLE: HD-7500/9 CYLINDER FLANGE ARM ASSEMBLY
	THIRD ANGLE PROJECTION		
MATERIAL: ---	PROPRIETARY AND CONFIDENTIAL THE INFORMATION CONTAINED IN THIS DRAWING IS THE SOLE PROPERTY OF BENDPAK INC. ANY REPRODUCTION IN PART OR AS A WHOLE WITHOUT THE WRITTEN PERMISSION OF BENDPAK INC. IS PROHIBITED.		SIZE DWG. NO. REV <b>A</b> 5215129 D
SIZE: ---	SCALE: 1:3		SHEET 1 OF 1

NEXT ASSEMBLY
5215190
5215191
5215192
5215198
5215512
5215525

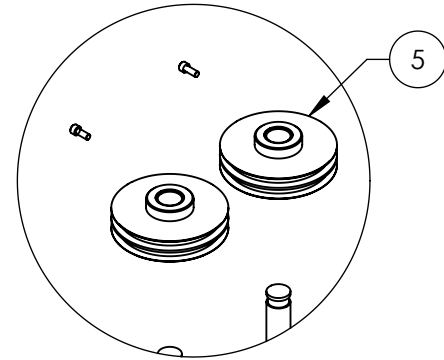
**NOTE: UNLESS OTHERWISE SPECIFIED.**

1. ASSEMBLE ITEMS AS SHOWN

REV	DESCRIPTION	REVISION	DATE	EDITED BY	ECO#
R	REMOVED 5535026, 5505350, 5545031		01/14/2015	MR	00675
T	UPDATED BOM REVISION		04/28/2015	MR	00683
U	REMOVED (4) 5550025		11/25/2015	JM	00740



**DETAIL A  
SCALE 1 : 10**



**DETAIL B  
SCALE 1 : 10**

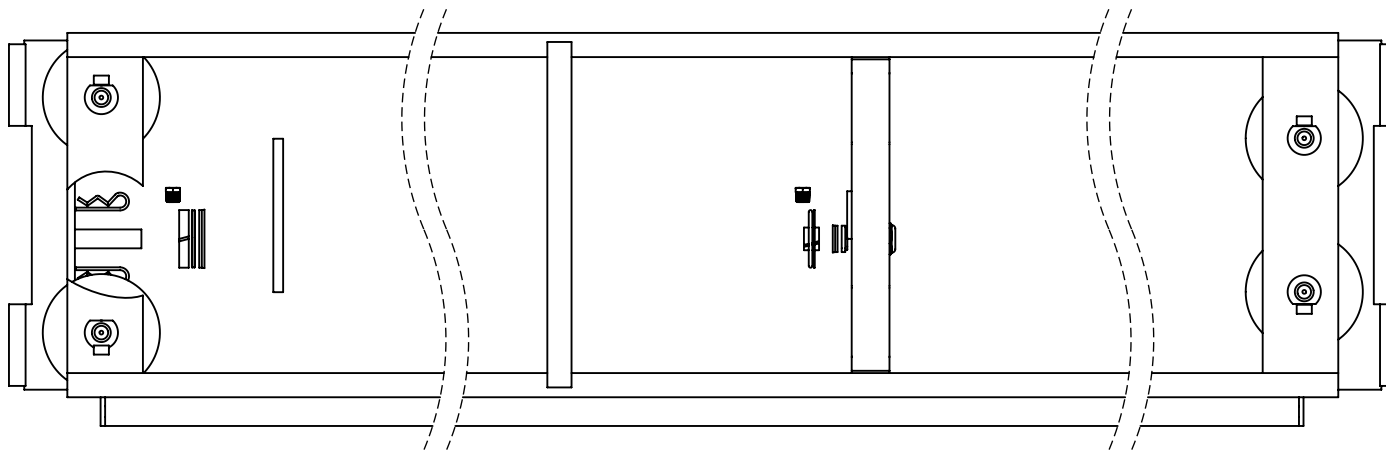
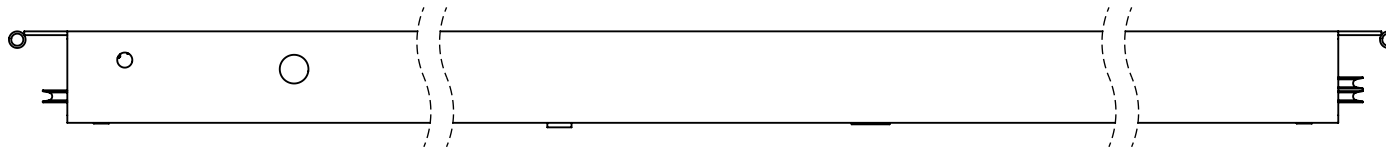
ITEM NO	PART NUMBER	DESCRIPTION	QTY	REV
1	5600192	HD-7500BLX/9STX/ 9SWX/9XL/9XW POWER SIDE WELDMENT	1	J
2	5502166	CYLINDER ASSEMBLY Ø3.0 x 82	1	G
3	5731309	CABLE RETAINER PLATE	1	A
4	5215122	HD-7/7500/9 SERIES SINGLE SHEAVE ROLLER ASSEMBLY	2	D
5	5215123	HD-7/7500/9 SERIES TWIN SHEAVE ASSEMBLY	2	D
6	5600900	HD-7/7500/9 SERIES RAMP SHEAVE SHAFT WELDMENT	4	D
7	5215129	HD-7500/9 CYLINDER FLANGE ARM ASSEMBLY	1	D
8	5530773	SHCS M8x1.25x20mm L	4	-


DO NOT SCALE DRAWING	NAME	DATE	1645 LEMONWOOD DR. SANTA PAULA, CA 93060
DIMENSIONS ARE IN MM	DRAWN	AC 10/15/2008	
	CHECKED	CA 09/01/2015	
	THIRD ANGLE PROJECTION		TITLE: <b>HD-7500BLX/9STX/9SWX/9XW          POWER SIDE RAMP ASSEMBLY</b>
			SIZE DWG. NO.
	PROPRIETARY AND CONFIDENTIAL THE INFORMATION CONTAINED IN THIS DRAWING IS THE SOLE PROPERTY OF BENDPAK INC. ANY REPRODUCTION IN PART OR AS A WHOLE WITHOUT THE WRITTEN PERMISSION OF BENDPAK INC. IS PROHIBITED.		REV <b>A 5215192 U</b>
SCALE: 1:25			SHEET 1 OF 2

**NOTE: UNLESS OTHERWISE SPECIFIED.**

- SEE SHIPPING INSTRUCTIONS FOR FINAL PACKAGING
- ASSEMBLE ITEMS AS SHOWN

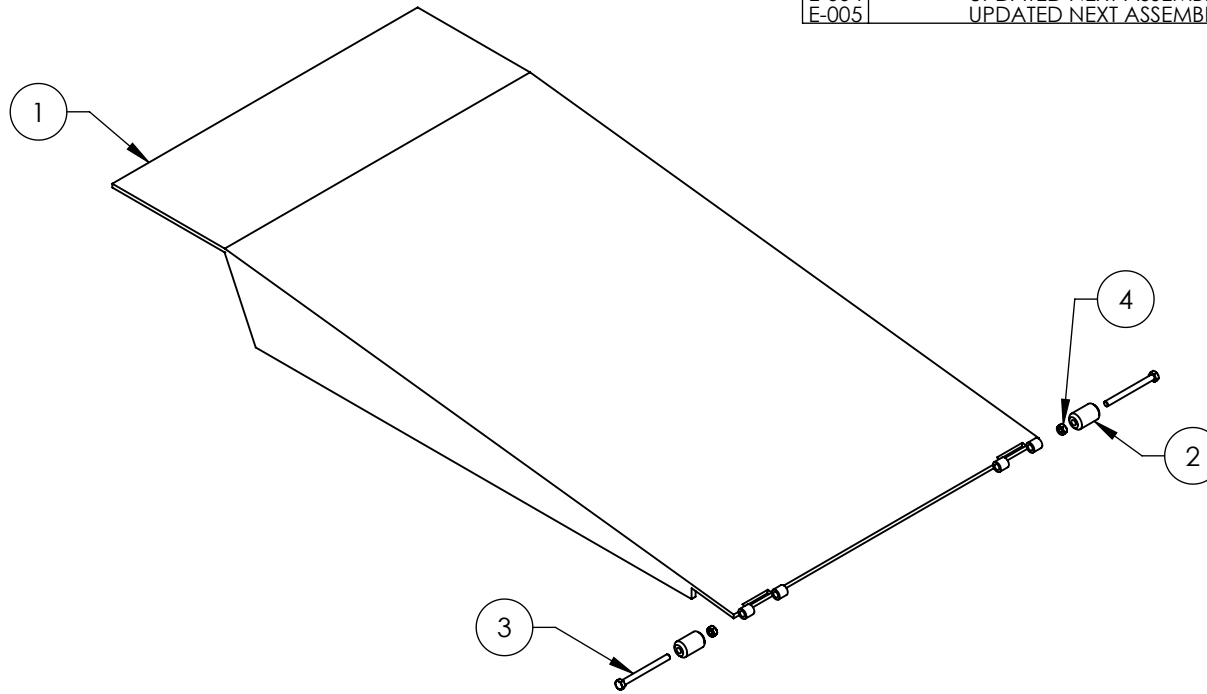
NEXT ASSEMBLY
5245381
5245389
5245392
5245393



 <b>BendPak</b> <small>POWER / STORAGE / SERVICE SOLUTIONS</small>		1645 LEMONWOOD DR. SANTA PAULA, CA 93060
TITLE: HD-7500BLX/9STX/9SWX/9XW POWER SIDE RAMP ASSEMBLY		
SIZE	DWG. NO.	REV
<b>A</b>	5215192	U
SCALE: 1:10		SHEET 2 OF 2



		REVISION		
REV	DESCRIPTION	DATE	EDITED BY	ECO#
C	UPDATED TITLE TO REFLECT WHERE USED UPDATED NEXT ASSEMBLY	02/25/2010	AC	00333
D	UPDATED TITLE TO REFLECT WHERE USED UPDATED BOM REVISIONS REPLACED 5535112 WITH 5535357	06/10/2010	AC	00366
D-001	UPDATED NEXT ASSEMBLY	06/06/2011	TM	00464
D-002	UPDATED NEXT ASSEMBLY	10/27/2011	TM	00487
E	UPDATED BOM REVISION	08/22/2012	TM	00541
E-001	UPDATED NEXT ASSEMBLY	11/19/2012	TM	00562
E-002	UPDATED NEXT ASSEMBLY	05/20/2013	TM	00593
E-003	UPDATED NEXT ASSEMBLY	11/20/2013	TM	00626
E-004	UPDATED NEXT ASSEMBLY	06/10/2014	TM	00648
E-005	UPDATED NEXT ASSEMBLY	08/14/2014	TM	00664



ITEM NO	PART NUMBER	DESCRIPTION	QTY	REV
1	5600891	HD-7500BL/7500BLX/ 9/9N/9NX/9ST/9STX/9XW DRIVE UP RAMP WELDMENT	1	D
2	5716149	HD-7500/9, HD/S-14 SERIES DRIVE UP RAMP PLASTIC ROLLER	2	F
3	5530005	HHB M6 x 1 x 70	2	-
4	5535357	NUT M6 x 1.0 NL	2	-

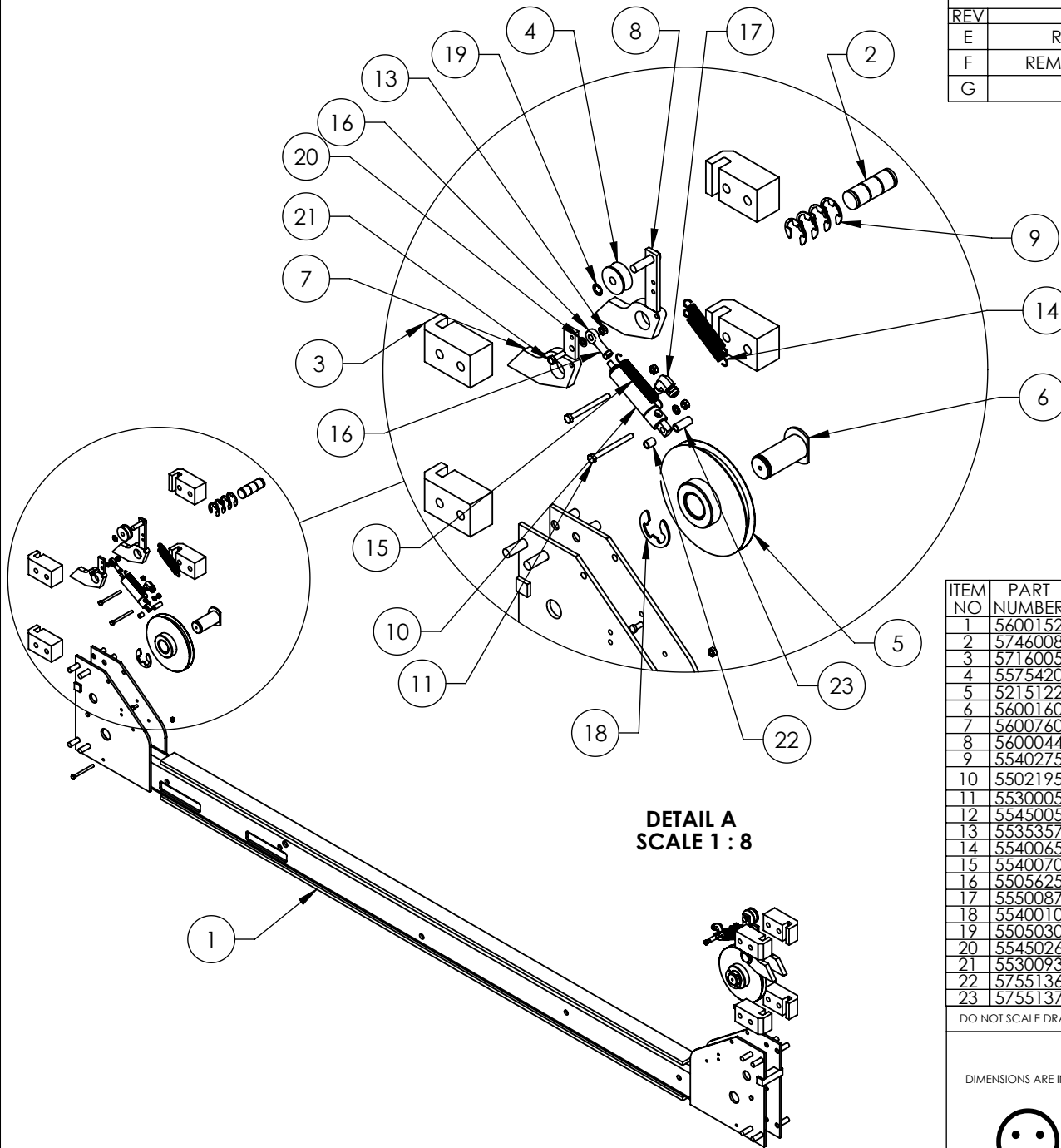
NEXT ASSEMBLY
5245275
5245381
5245382
5245383
5245384
5245385
5245386
5245388
5245391
5245392
5245393
5245395
5245396

DO NOT SCALE DRAWING		NAME	DATE	1645 LEMONWOOD DR. SANTA PAULA, CA 93060
DIMENSIONS ARE IN MM		DRAWN	AC 11/13/2008	
		CHECKED		TITLE: HD-7500BL/BLX, 9/ST/STX/XW DRIVE UP RAMP ASSEMBLY
		THIRD ANGLE PROJECTION		
		PROPRIETARY AND CONFIDENTIAL THE INFORMATION CONTAINED IN THIS DRAWING IS THE SOLE PROPERTY OF BENDPAK INC. ANY REPRODUCTION IN PART OR AS A WHOLE WITHOUT THE WRITTEN PERMISSION OF BENDPAK INC. IS PROHIBITED.		SIZE DWG. NO. REV <b>A</b> 5215193 F
SCALE: 1:8			SHEET 1 OF 1	

**NOTE: UNLESS OTHERWISE SPECIFIED.**

- SEE SHIPPING INSTRUCTIONS FOR FINAL PACKAGING
- ASSEMBLE ITEMS AS SHOWN

REV	DESCRIPTION	REVISION	DATE	EDITED BY	ECO#
E	REPLACED 5545026 WITH 5545005		3/19/2015	MR	00683
F	REMOVED (2) 5550025 AND (2) 5716630		11/25/2015	JM	00740
G	UPDATED BOM REVISIONS		12/30/2015	JM	00741



DETAIL A  
SCALE 1 : 8

ITEM NO	PART NUMBER	DESCRIPTION	QTY	REV
1	5600152	HD-9ST/9STX SMALL WINDOW CROSSTUBE WELDMENT	1	N
2	5746008	HD/HDS-7/7500/9/14, HDSO-14 SAFETY PIN	2	E
3	5716005	HD-7/7500/9/14/HDSO-14 PLASTIC SLIDE BLOCK	8	J
4	5575420	HD-7/7500/9 SERIES SAFETY ROLLER	2	C
5	5215122	HD-7/7500/9 SERIES SINGLE SHEAVE ROLLER ASSEMBLY	2	D
6	5600160	HD-7/7500/9 SERIES CROSSTUBE SHEAVE SHAFT WELDMENT	2	E
7	5600760	HD/HDS LIGHT DUTY SERIES SAFETY WELDMENT	2	B
8	5600044	HD/HDS LIGHT DUTY SERIES SLACK SAFETY WELDMENT	2	F
9	5540275	E RING Ø25mm OD DIN 6799 0250	8	-
10	5502195	AIR CYLINDER, Ø19mm x 25 STROKE	2	-
11	5530005	HHB M6 x 1 x 70	6	-
12	5545005	M6 FLAT WASHER	2	-
13	5535357	NUT M6 x 1.0 NL	8	-
14	5540065	SPRING Ø13mm x 90mm, SLACK SAFETY	4	A
15	5540070	SPRING Ø13mm x 89mm, AIR CYLINDER	2	B
16	5505625	FEMALE ROD END M6 x 33mm	2	-
17	5550087	FTG ELB -04 COMP x -02 NPT	2	-
18	5540010	E RING Ø32mm OD DIN 6799	2	-
19	5505030	ROTOR CLIP 10mm SS	2	-
20	5545026	WASHER M6 x Ø12 SL	2	A
21	5530093	HHB M6 x 1 x 20	2	-
22	5755136	HD AIR CYLINDER SPACER 12mm	2	B
23	5755137	HD AIR CYLINDER SPACER 25mm	2	B

DO NOT SCALE DRAWING

NAME DATE

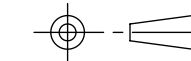
DRAWN TM 04/29/2013

CHECKED CA 09/01/2015

DIMENSIONS ARE IN MM



THIRD ANGLE PROJECTION



PROPRIETARY AND CONFIDENTIAL  
THE INFORMATION CONTAINED IN THIS DRAWING IS THE SOLE PROPERTY OF BENDPAK INC. ANY REPRODUCTION IN PART OR AS A WHOLE WITHOUT THE WRITTEN PERMISSION OF BENDPAK INC. IS PROHIBITED.

**BendPak** 1645 LEMONWOOD DR.  
SANTA PAULA, CA 93060

TITLE:  
HD-9ST/STX CROSSTUBE  
ASSEMBLY, SMALL WINDOW

SIZE DWG. NO. REV

A 5215601 G

SCALE: 1:16

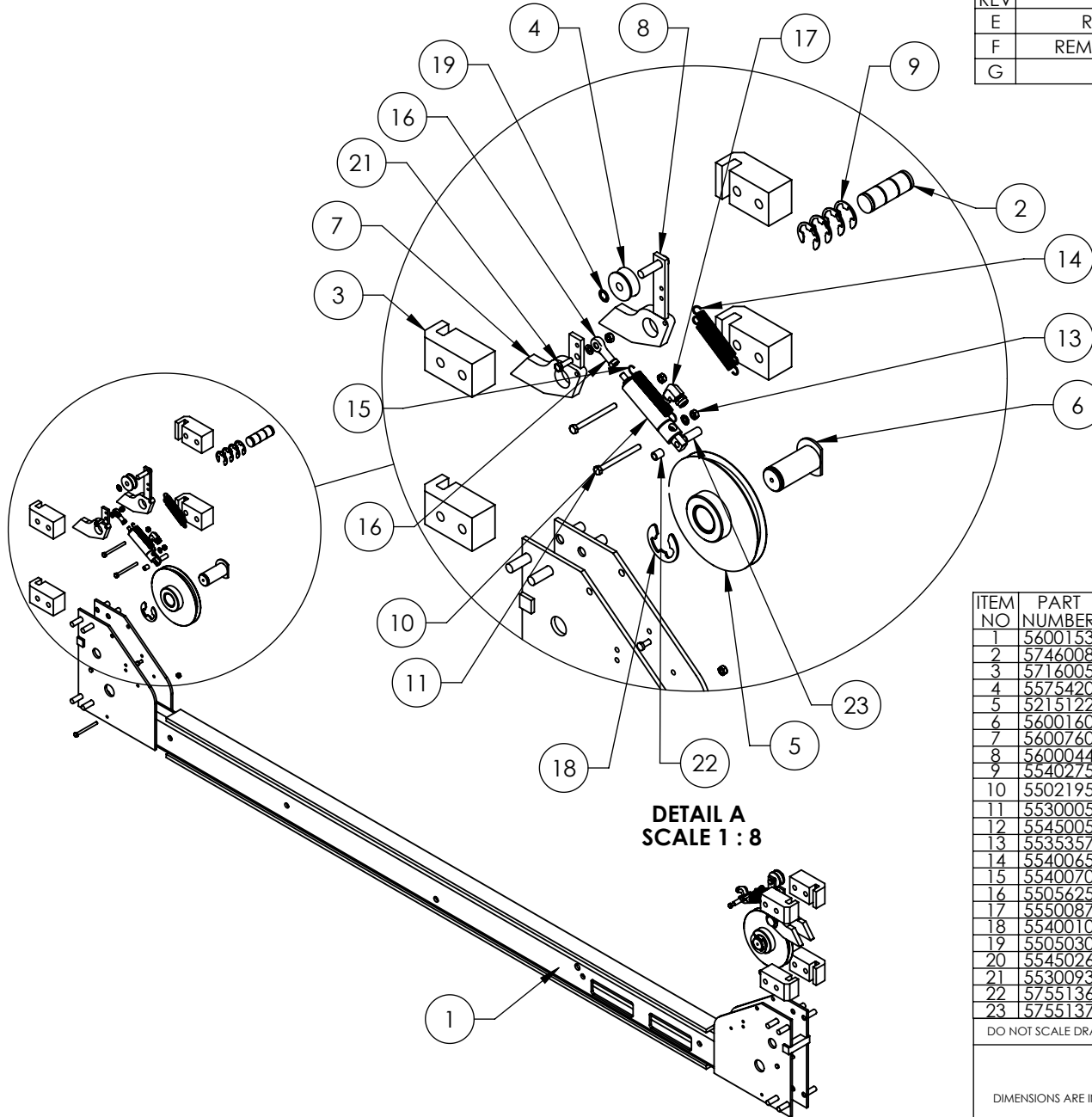
SHEET 1 OF 1

**NOTE: UNLESS OTHERWISE SPECIFIED.**

- SEE SHIPPING INSTRUCTIONS FOR FINAL PACKAGING
- ASSEMBLE ITEMS AS SHOWN

NEXT ASSEMBLY  
5245392  
5245395

REVISION				
REV	DESCRIPTION	DATE	EDITED BY	ECO#
E	REPLACED 5545026 WITH 5545005	03/20/2015	MR	00683
F	REMOVED (2) 5550025 AND (2) 5716630	11/25/2015	JM	00740
G	UPDATED BOM REVISIONS	12/30/2015	JM	00741



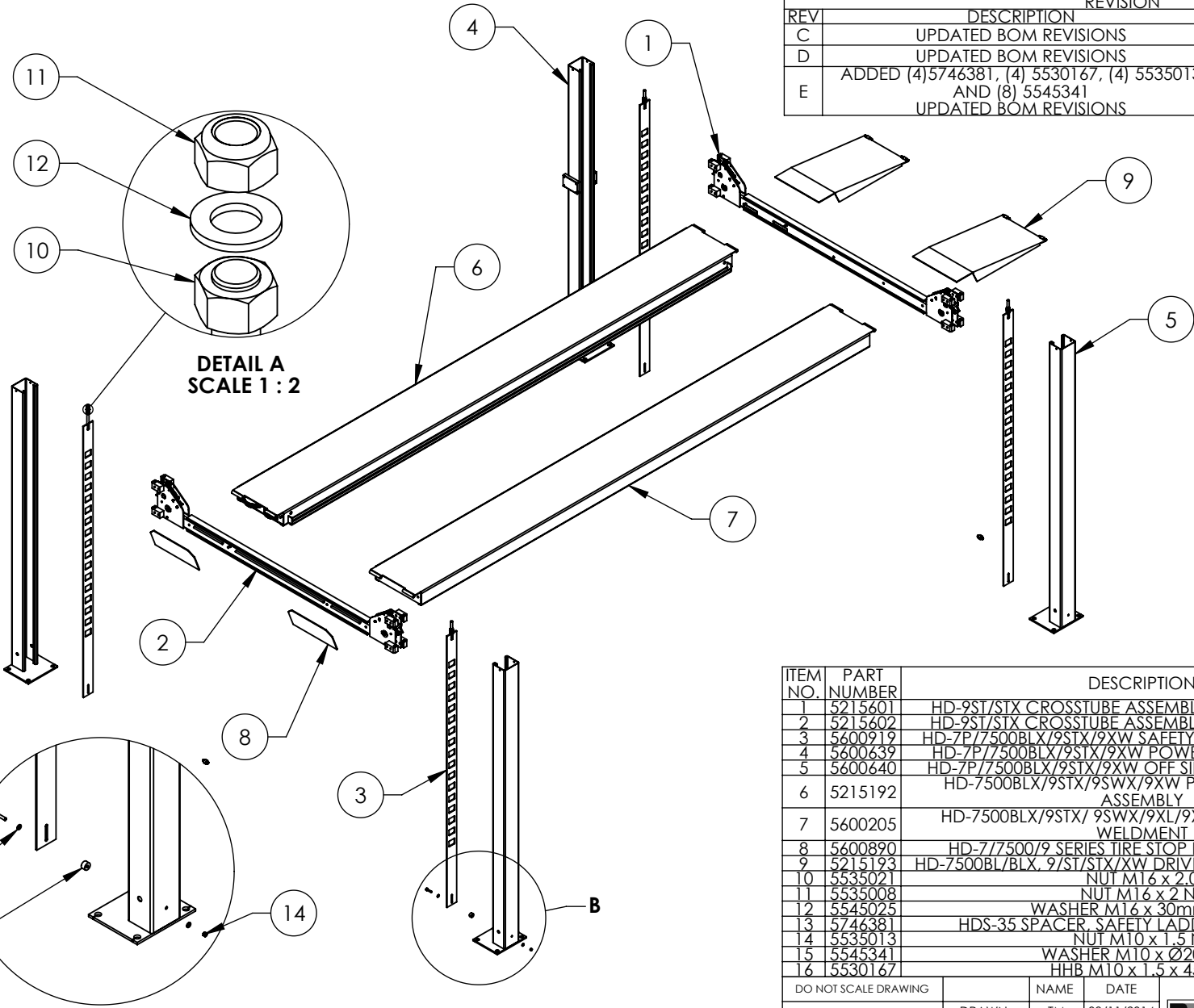
ITEM NO	PART NUMBER	DESCRIPTION	QTY	REV
1	5600153	HD-9ST/9STX LARGE WINDOW CROSSTUBE WELDMENT	1	N
2	5746008	HD/HDS-7/7500/9/14, HDSO-14 SAFETY PIN	2	E
3	5716005	HD-7/7500/9/14/HDSO-14 PLASTIC SLIDE BLOCK	8	J
4	5575420	HD-7/7500/9 SERIES SAFETY ROLLER	2	C
5	5215122	HD-7/7500/9 SERIES SINGLE SHEAVE ROLLER ASSEMBLY	2	D
6	5600160	HD-7/7500/9 SERIES CROSSTUBE SHEAVE SHAFT WELDMENT	2	F
7	5600760	HD/HDS LIGHT DUTY SERIES SAFETY WELDMENT	2	B
8	5600044	HD/HDS LIGHT DUTY SERIES SLACK SAFETY WELDMENT	2	F
9	5540275	E RING Ø25mm OD DIN 6799 0250	8	-
10	5502195	AIR CYLINDER, Ø19mm x 25 STROKE	2	-
11	5530005	HHB M6 x 1 x 70	6	-
12	5545005	M6 FLAT WASHER	2	-
13	5535357	NUT M6 x 1.0 NL	8	-
14	5540065	SPRING Ø13mm x 90mm, SLACK SAFETY	4	A
15	5540070	SPRING Ø13mm x 89mm, AIR CYLINDER	2	B
16	5505625	FEMALE ROD END M6 x 33mm	2	-
17	5550087	FTG ELB -04 COMP x -02 NPT	2	-
18	5540010	E RING Ø32mm OD DIN 6799	2	-
19	5505030	ROTOR CLIP 10mm SS	2	-
20	5545026	WASHER M6 x Ø12 SL	2	A
21	5530093	HHB M6 x 1 x 20	2	-
22	5755136	HD AIR CYLINDER SPACER 12mm	2	B
23	5755137	HD AIR CYLINDER SPACER 25mm	2	B

DO NOT SCALE DRAWING	NAME	DATE	1645 LEMONWOOD DR. SANTA PAULA, CA 93060
DIMENSIONS ARE IN MM	DRAWN	TM 04/29/2013	
	CHECKED	CA 09/01/2015	
	THIRD ANGLE PROJECTION		TITLE: HD-9ST/STX CROSSTUBE ASSEMBLY, LARGE WINDOW
			SCALE: 1:16
<small>PROPRIETARY AND CONFIDENTIAL THE INFORMATION CONTAINED IN THIS DRAWING IS THE SOLE PROPERTY OF BENDPAK INC. ANY REPRODUCTION IN PART OR AS A WHOLE WITHOUT THE WRITTEN PERMISSION OF BENDPAK INC. IS PROHIBITED.</small>		SIZE DWG. NO. A 5215602	REV G
NEXT ASSEMBLY 5245392 5245395		SHEET 1 OF 1	

**NOTE: UNLESS OTHERWISE SPECIFIED.**

- SEE SHIPPING INSTRUCTIONS FOR FINAL PACKAGING
- ASSEMBLE ITEMS AS SHOWN

REV	DESCRIPTION	REVISION	DATE	EDITED BY	ECO#
C	UPDATED BOM REVISIONS		03/20/2015	MR	00683
D	UPDATED BOM REVISIONS		12/2/2015	JM	00740
E	ADDED (4) 5746381, (4) 5530167, (4) 5535013 AND (8) 5545341		12/30/2015	JM	00741
	UPDATED BOM REVISIONS				



ITEM NO.	PART NUMBER	DESCRIPTION	QTY	REV
1	5215601	HD-9ST/STX CROSSTUBE ASSEMBLY, SMALL WINDOW	1	G
2	5215602	HD-9ST/STX CROSSTUBE ASSEMBLY, LARGE WINDOW	1	G
3	5600919	HD-7P/7500BLX/9STX/9XW SAFETY LADDER WELDMENT	4	B
4	5600639	HD-7P/7500BLX/9STX/9XW POWER POST WELDMENT	1	C
5	5600640	HD-7P/7500BLX/9STX/9XW OFF SIDE POST WELDMENT	3	C
6	5215192	HD-7500BLX/9STX/9SWX/9XW POWER SIDE RAMP ASSEMBLY	1	U
7	5600205	HD-7500BLX/9STX/ 9SWX/9XL/9XW OFFSIDE RAMP WELDMENT	1	H
8	5600890	HD-7/7500/9 SERIES TIRE STOP PLATE WELDMENT	2	F
9	5215193	HD-7500BL/BLX, 9/ST/STX/XW DRIVE UP RAMP ASSEMBLY	2	F
10	5535021	NUT M16 x 2.0	4	-
11	5535008	NUT M16 x 2 NL	4	-
12	5545025	WASHER M16 x 30mm FLAT	4	-
13	5746381	HDS-35 SPACER, SAFETY LADDER, 17.5mm LG	4	A
14	5535013	NUT M10 x 1.5 NL	4	-
15	5545341	WASHER M10 x Ø20 FLAT	8	-
16	5530167	HHB M10 x 1.5 x 45mm	4	-

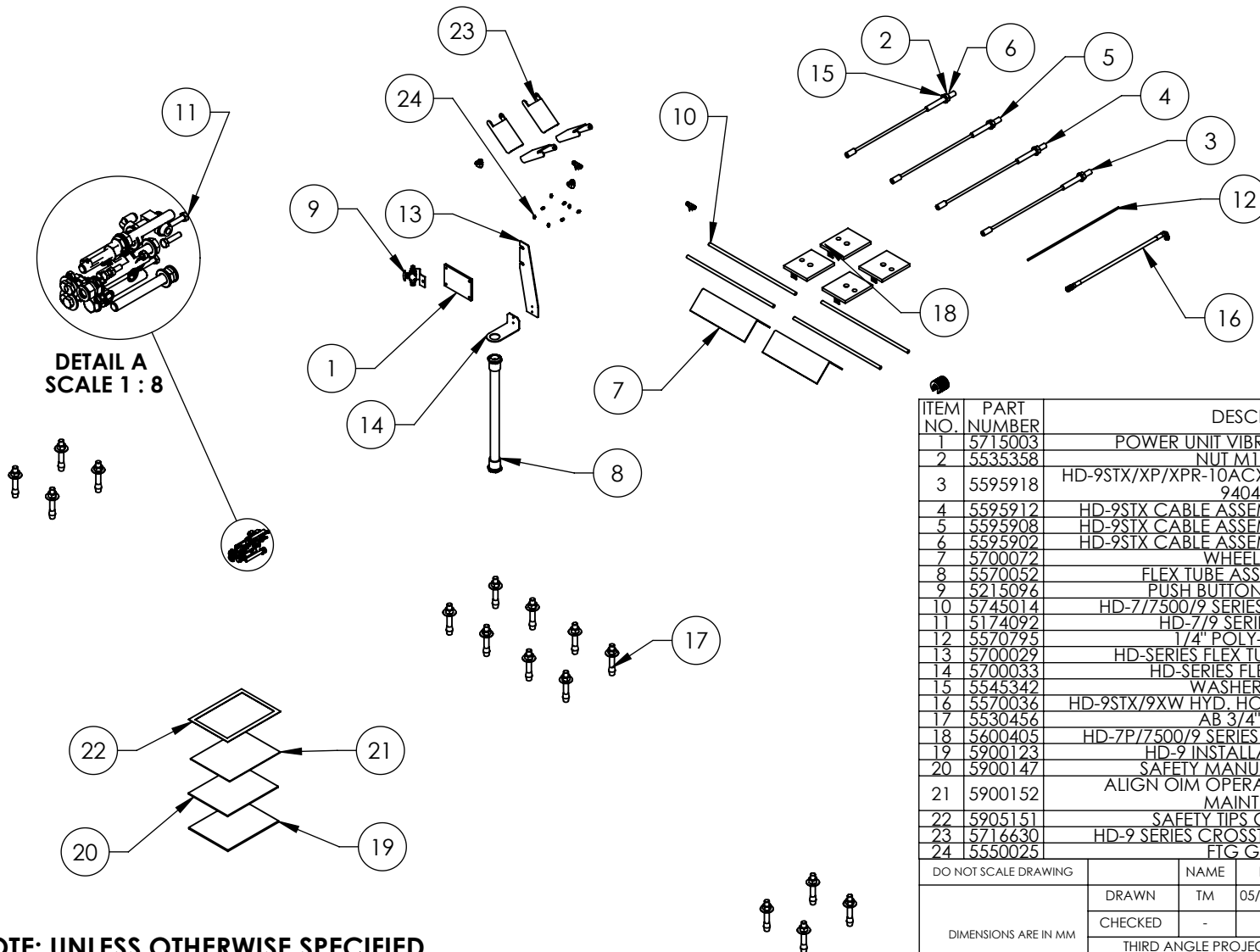
DO NOT SCALE DRAWING	NAME	DATE	1645 LEMONWOOD DR. SANTA PAULA, CA 93060
	DRAWN	TM 08/11/2014	
	CHECKED	-	
DIMENSIONS ARE IN MM  	THIRD ANGLE PROJECTION		TITLE:
			HD-9STX LIFT SUPERSTRUCTURE
PROPRIETARY AND CONFIDENTIAL THE INFORMATION CONTAINED IN THIS DRAWING IS THE SOLE PROPERTY OF BENDPAK INC. ANY REPRODUCTION IN PART OR AS A WHOLE WITHOUT THE WRITTEN PERMISSION OF BENDPAK INC. IS PROHIBITED.		SIZE DWG. NO.	REV
		A 5245392	E
		SCALE: 1:40	SHEET 1 OF 1

**NOTE: UNLESS OTHERWISE SPECIFIED.**

- SEE SHIPPING INSTRUCTIONS FOR FINAL PACKAGING
- THREAD M16 HARDWARE ONTO LADDER BOLTS AS SHOWN

NEXT ASSEMBLY  
5260528

REVISION				
REV	DESCRIPTION	DATE	EDITED BY	ECO#
C	UPDATED BOM REVISION	01/12/2015	MR	00675
D	REMOVED 5905103, 5905200, 5905402, 5905465, 5905940, AND 5930605, UPDATED BOM REVISION	08/14/2015	TM	00683
E	REMOVED 5900151 ADDED (4) 5716630 AND (8) 5550025	12/2/2015	JM	00740



ITEM NO.	PART NUMBER	DESCRIPTION	QTY.	REV
1	5715003	POWER UNIT VIBRATION DAMPENER	1	B
2	5535358	NUT M18 x 2.5 NL	4	-
3	5595918	HD-9STX/XP/XPR-10ACX CABLE ASSEMBLY Ø10 x 9404mm ST	1	D
4	5595912	HD-9STX CABLE ASSEMBLY Ø10 x 7978mm ST	1	E
5	5595908	HD-9STX CABLE ASSEMBLY Ø10 x 4663mm ST	1	F
6	5595902	HD-9STX CABLE ASSEMBLY Ø10 x 3240mm ST	1	F
7	5700072	WHEEL CHOCK	2	A
8	5570052	FLEX TUBE ASSEMBLY 1170mm	1	B
9	5215096	PUSH BUTTON AIR ASSEMBLY	1	F
10	5745014	HD-7/7500/9 SERIES DRIVE UP RAMP PIN	4	B
11	5174092	HD-7/9 SERIES PARTS BAG	1	E
12	5570795	1/4" POLY-FLO TUBING	17000*mm	-
13	5700029	HD-SERIES FLEX TUBE BRACKET PLATE	1	F
14	5700033	HD-SERIES FLEX TUBE ANGLE	1	E
15	5545342	WASHER M18 FLAT	4	-
16	5570036	HD-9STX/9XW HYD. HOSE ASSY Ø6.4 x 3683mm	1	E
17	5530456	AB 3/4" x 4 - 3/4"	16	-
18	5600405	HD-7P/7500/9 SERIES TOP PLATE WELDMENT	4	C
19	5900123	HD-9 INSTALLATION MANUAL	1	-
20	5900147	SAFETY MANUAL ALL / SM 93-1	1	-
21	5900152	ALIGN OIM OPERATION INSPECTION & MAINTENANCE	1	-
22	5905151	SAFETY TIPS CARD ALL-ST 90	1	-
23	5716630	HD-9 SERIES CROSSTUBE COVER, PLASTIC	4	A
24	5550025	FIG GRS M6x1	8	PRE

**NOTE: UNLESS OTHERWISE SPECIFIED.**

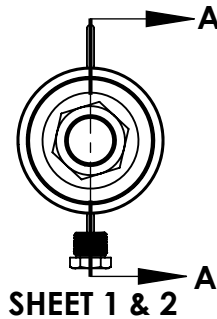
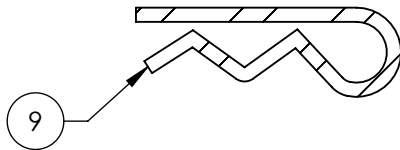
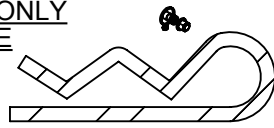
- SEE SHIPPING INSTRUCTIONS FOR FINAL PACKAGING
- INSERT PARTS BAG INTO PARTS BOX FOR SHIPMENT
- THREAD 5535358 WITH 5545342 ONTO CABLES FOR SHIPMENT
- HOSES AND CABLES IN REPRESENTATIONAL FORM
- (\* ) LENGTH FOR REFERENCE ONLY

NEXT ASSEMBLY  
5260528

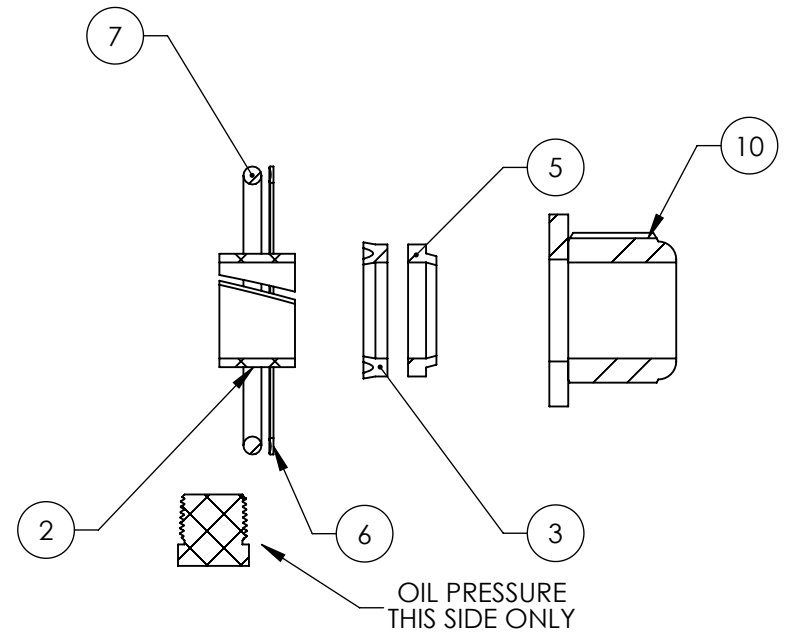
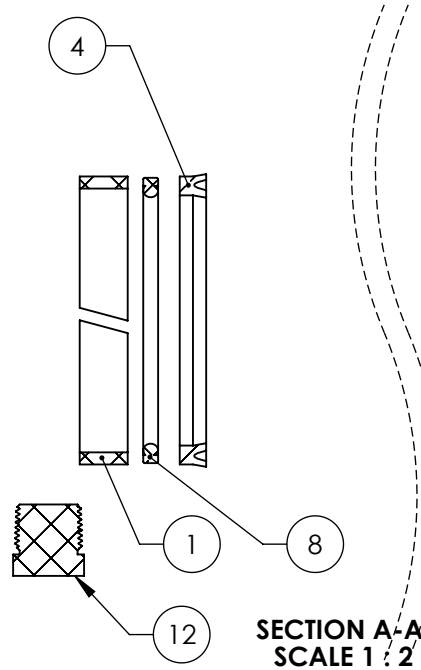
DO NOT SCALE DRAWING	NAME	DATE	<b>BendPak</b> 1645 LEMONWOOD DR. SANTA PAULA, CA 93060
	DRAWN	TM 05/09/2013	
	CHECKED	-	
DIMENSIONS ARE IN MM	THIRD ANGLE PROJECTION		TITLE:
			PARTS BOX HD-9STX
	<small>PROPRIETARY AND CONFIDENTIAL THE INFORMATION CONTAINED IN THIS DRAWING IS THE SOLE PROPERTY OF BENDPAK INC. ANY REPRODUCTION IN PART OR AS A WHOLE WITHOUT THE WRITTEN PERMISSION OF BENDPAK INC. IS PROHIBITED.</small>		SIZE DWG. NO.
	A		5250189
			REV
			E
SCALE: 1:25			SHEET 1 OF 1

REVISION				
REV	DESCRIPTION	DATE	EDITED BY	ECO#
E	UPDATED BOM REVISION	07/09/2012	TM	00534
F	ADDED 5505350, 5545031 AND 5535363	01/14/2015	MR	00675
G	ADDED 5580112, REMOVED 5540114, UPDATED BOM REVISION	03/27/2015	MR	00683

ISOMETRIC VIEW  
FOR REFERENCE ONLY  
DO NOT SCALE



SHEET 1 & 2



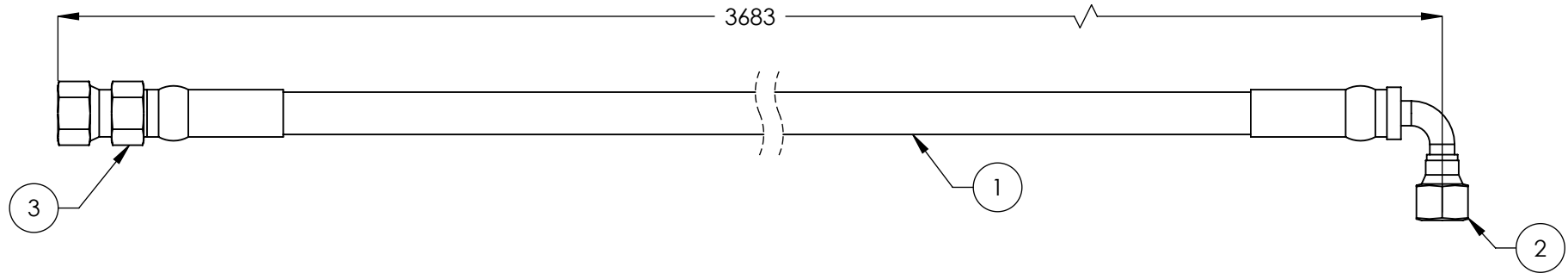
**NOTE: UNLESS OTHERWISE SPECIFIED.**

1. GREASE SEALS PRIOR TO ASSEMBLY
2. PRESSURE TEST CYLINDER ASSEMBLY 100% TO 3,600 PSI. (NO LEAKS)
3. MARK IN APPROXIMATE LOCATION WITH THE FOLLOWING INFORMATION: MANUFACTURER MONTH/ YEAR PART NUMBER
4. HERCULES HU18-2.62-37 MAY BE USED IN PLACE OF CUP SEAL UN 66.2-76.2.
5. PARKER 4615-SHD-01000, HERCULES ST-100 OR AFM D-1000 MAY BE USED IN PLACE OF RECO D-1000
6. DISOGRIN 001-073, HERCULES DRU18-1.00-31 OR PARKER UR 18701000-250 MAY BE USED IN PLACE OF RECO UN-1000-1375-0250
7. HERCULES 25.4-30.4-20 POM MAY BE USED IN PLACE OF WR-01250-0500-125
8. HERCULES 27.2-69.8-12 POM MAY BE USED IN PLACE OF WR-03000-0500-125
9. VERIFY HYDRAULIC PORTS ARE CAPPED WITH PLUGS

ITEM NO	PART NUMBER	DESCRIPTION	QTY	REV
1	WR 76.2-69.8-12.7 POM	WEAR RING	1	--
2	WR 30.4-25.4-20 POM	WEAR RING	1	--
3	RECO UN-1000-1375-0250	PISTON SEAL d25.40 D34.93 h6.35	1	--
4	CUP SEAL UN 66.2-76.2	PISTON SEAL UN 66.2-76.2	1	--
5	RECO D-1000	WIPER	1	--
6	-334 BUANA 90	BACKUP RING	1	--
7	-334 BUANA 70	O-RING	1	--
8	GLYD GS55044-0762	GLYD RING PISTON SEAL	1	--
9	5505350	MODEL#211 HAIR PIN/ LARGE	2	--
10	5535363	NUT 1"-14 NL	1	A
11	5545031	WASHER Ø2.0"x Ø1-1/16" x 5mm FLAT	1	--
12	5580112	3/8-18 NPT PLASTIC SCREW PLUG	2	--

DO NOT SCALE DRAWING	NAME	DATE	1645 LEMONWOOD DR. SANTA PAULA, CA 93060
DIMENSIONS ARE IN MM	DRAWN	AC 05/11/2010	
	CHECKED	CA 08/27/2015	
	THIRD ANGLE PROJECTION		TITLE: CYLINDER ASSEMBLY Ø3.0 x 82
			SIZE DWG. NO. A 5502166
	<small>PROPRIETARY AND CONFIDENTIAL THE INFORMATION CONTAINED IN THIS DRAWING IS THE SOLE PROPERTY OF BENDPAK INC. ANY REPRODUCTION IN PART OR AS A WHOLE WITHOUT THE WRITTEN PERMISSION OF BENDPAK INC. IS PROHIBITED.</small>		REV G
SCALE: 1:4			SHEET 1 OF 2

REVISION				
REV	DESCRIPTION	DATE	EDITED BY	ECO#
C	UPDATED NAME TO INCLUDE NEXT ASSEMBLY, UPDATED NEXT ASSEMBLY	12/11/2008	AC	00174
D	REMOVED 9NX FROM TITLE UPDATED NEXT ASSEMBLY	02/24/2010	AC	00333
D-001	UPDATED NEXT ASSEMBLIES	11/23/2012	TM	00562
D-002	UPDATED NEXT ASSEMBLIES	05/21/2013	TM	00593
E	REPLACED 5570110 WITH 5570129	1/12/2015	MR	00675



ITEM NO.	PART NUMBER	DESCRIPTION	QTY.	REV
1	5570129	Ø6.4 ID HYDRAULIC HOSE	3617mm*	-
2	5550345	FTG ELB Ø1/4 CRIMP x -04 JIC		-
3	5550325	FTG NPL Ø1/4 CRIMP x -04 JIC		-

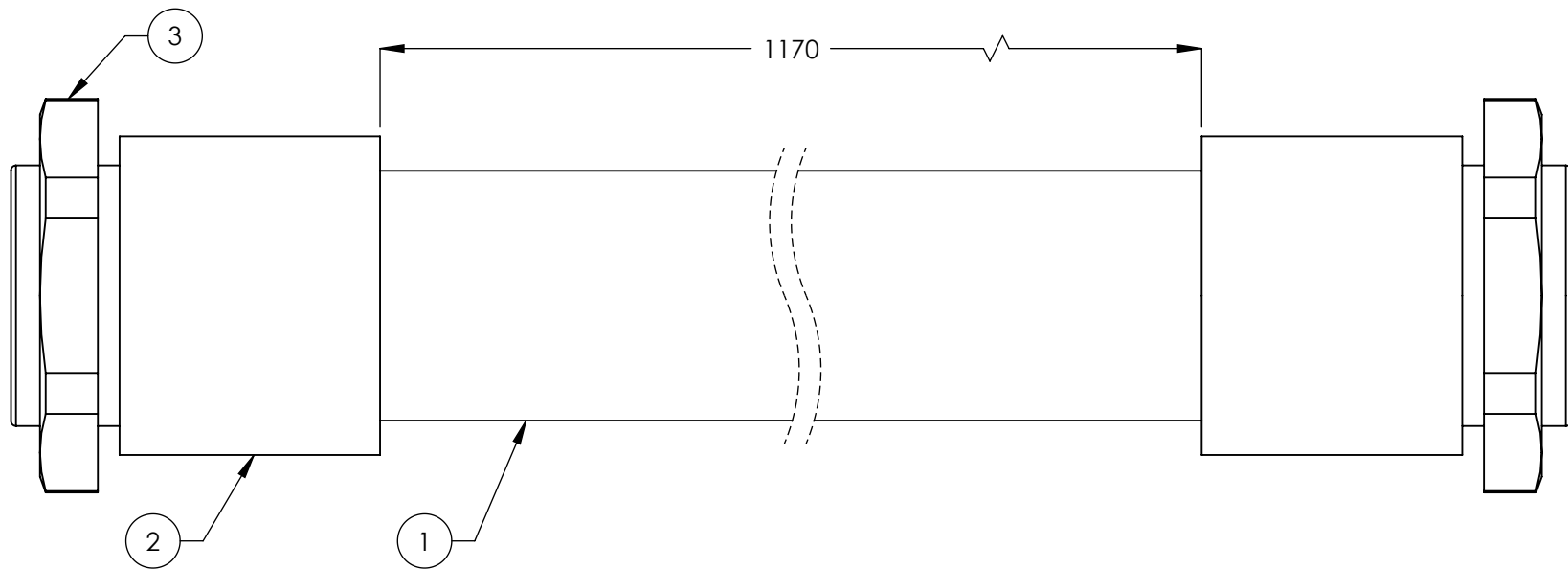
DO NOT SCALE DRAWING		NAME	DATE	1645 LEMONWOOD DR. SANTA PAULA, CA 93060
DIMENSIONS ARE IN MM TOLERANCES: 0. = ±1.5 0.0 = ±1.0		DRAWN	AC 01/18/2008	
		CHECKED	VB 02/06/2015	
ANGULAR: MACH ±2° SURFACE FINISH 1.6 ISO Ra µm FOR MACHINED SURFACES UNLESS OTHERWISE SPECIFIED		THIRD ANGLE PROJECTION		TITLE: HD-9STX/9XW HYD. HOSE ASSY Ø6.4 x 3683mm
				SIZE DWG. NO. REV <b>A</b> 5570036 E
PROPRIETARY AND CONFIDENTIAL THE INFORMATION CONTAINED IN THIS DRAWING IS THE SOLE PROPERTY OF BENDPAK INC. ANY REPRODUCTION IN PART OR AS A WHOLE WITHOUT THE WRITTEN PERMISSION OF BENDPAK INC. IS PROHIBITED.				SCALE: 1:2 SHEET 1 OF 1

General Table
NEXT ASSEMBLY
5250168
5250187
5250189
5570036

**NOTE: UNLESS OTHERWISE SPECIFIED.**

- FOR ITEM 1 SPECIFICATIONS REFER TO PART SPECIFICATION FORM
- (\*)ITEM 1 QTY FOR REFERENCE ONLY

REVISION				
REV	DESCRIPTION	DATE	EDITED BY	ECO#
A	PRODUCTION RELEASE	01/18/2008	AC	00137
B	UPDATED TUBE TO NEW STYLE, UPDATED NEXT ASSEMBLY	12/11/2008	AC	00174
B-001	UPDATED NEXT ASSEMBLY	05/04/2009	AC	00277
B-002	UPDATED NEXT ASSEMBLY	02/24/2010	AC	00333
B-003	UPDATED NEXT ASSEMBLY	06/18/2010	AC	00366
B-004	UPDATED NEXT ASSEMBLY	05/22/2013	TM	00593



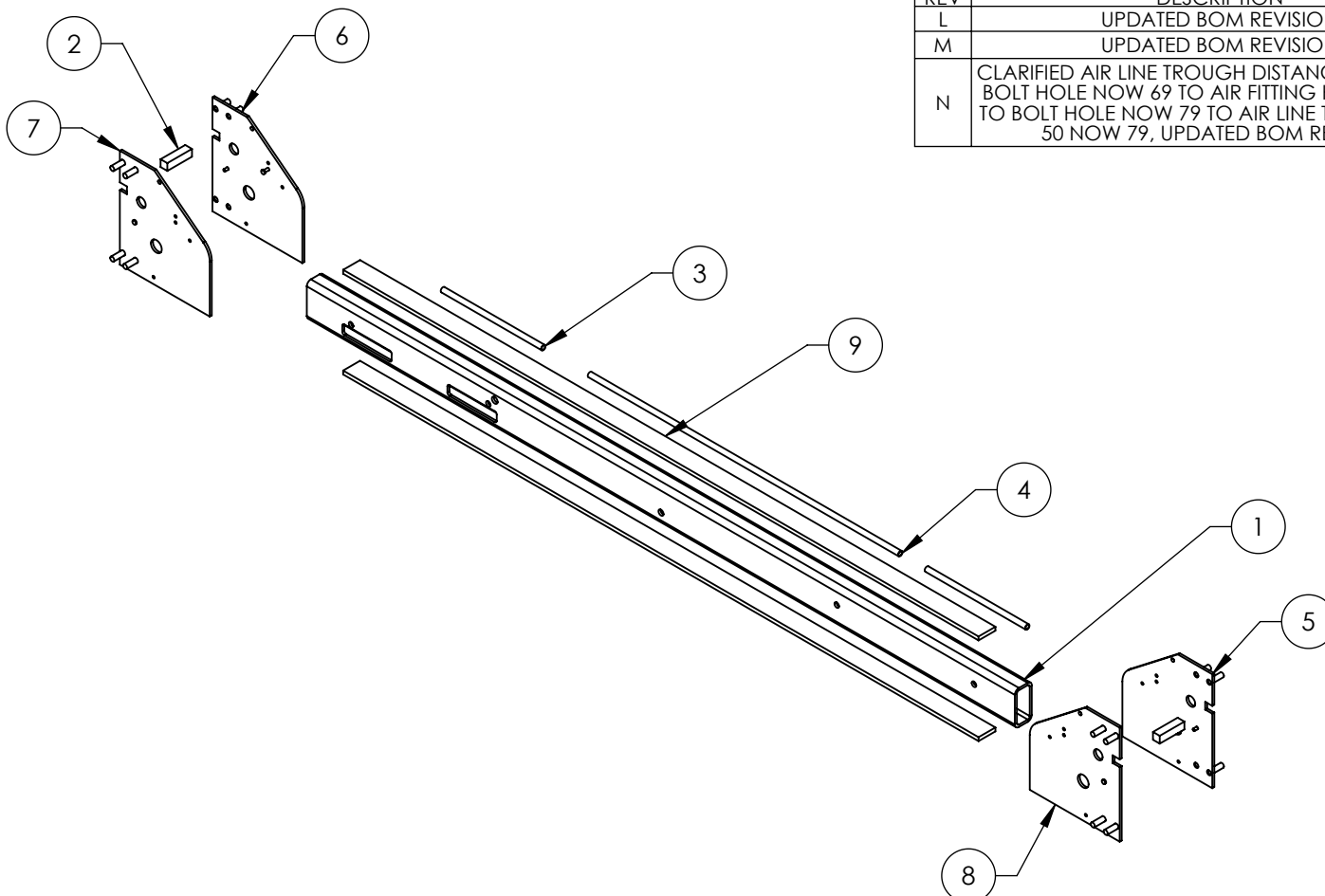
ITEM NO	PART NUMBER	DESCRIPTION	QTY	REV
1	5570053	PE FLEX TUBE Ø34.5xØ29	1	-
2	5555555	WQG1-M36/AD34.5 CONNECTOR	2	-
3	5535050	PLASTIC NUT M36 x 2	2	-

DO NOT SCALE DRAWING		NAME	DATE	1645 LEMONWOOD DR. SANTA PAULA, CA 93060
DIMENSIONS ARE IN MM TOLERANCES: 0. = ±1.5 0.0 = ±1.0 0.00 = ±0.25 0.000 = ±0.13  ANGULAR: MACH ±2° SURFACE FINISH 1.6 ISO Ra µm FOR MACHINED SURFACES UNLESS OTHERWISE SPECIFIED	DRAWN	MT	01/18/2008	
	CHECKED			
MATERIAL:		THIRD ANGLE PROJECTION		TITLE: FLEX TUBE ASSEMBLY 1170mm SIZE DWG. NO. A 5570052 REV B
NEXT ASSEMBLY 5250185 5250186 5250188 5250189		PROPRIETARY AND CONFIDENTIAL THE INFORMATION CONTAINED IN THIS DRAWING IS THE SOLE PROPERTY OF BENDPAK INC. ANY REPRODUCTION IN PART OR AS A WHOLE WITHOUT THE WRITTEN PERMISSION OF BENDPAK INC. IS PROHIBITED.		SCALE: 1:1 SHEET 1 OF 1

**NOTE: UNLESS OTHERWISE SPECIFIED.**

- FOR ITEM 1 SPECIFICATIONS REFER TO PART SPECIFICATION FORM
- (\*)ITEM 1 QTY FOR REFERENCE ONLY





REVISION				
REV	DESCRIPTION	DATE	EDITED BY	ECO#
L	UPDATED BOM REVISION	03/31/2014	TM	00648
M	UPDATED BOM REVISION	09/30/2014	TM	00664
N	CLARIFIED AIR LINE TROUGH DISTANCE, WAS 31 TO BOLT HOLE NOW 69 TO AIR FITTING HOLE, WAS 25 TO BOLT HOLE NOW 79 TO AIR LINE TROUGH, WAS 50 NOW 79, UPDATED BOM REVISION	05/28/2015	TM	00683

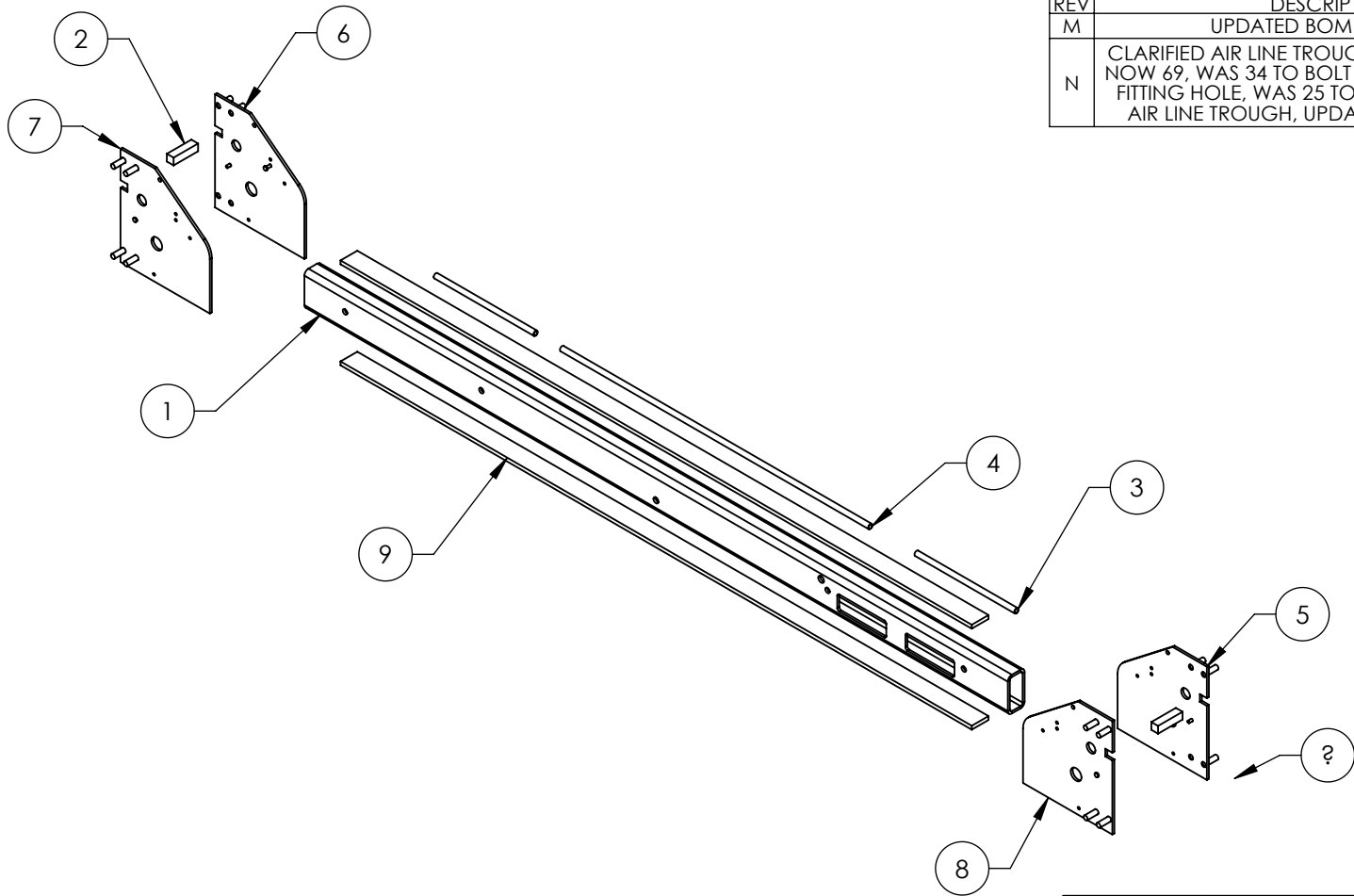
ITEM NO	PART NUMBER	DESCRIPTION	QTY	REV
1	5766052	HD-7P/7PXN/9PL/9ST/9STX SMALL WINDOW CROSSTUBE	1	E
2	5760010	HD-7/9 SERIES CROSSTUBE SAFETY BLOCK	2	B
3	5755018	AIR LINE TROUGH Ø13 x Ø9.8 x 297	2	C
4	5755020	AIR LINE TROUGH Ø13 x Ø9.8 x 918	1	C
5	5620130	HD-7/7500/9 SERIES CROSS TUBE END PLATE #1	1	J
6	5620131	HD-7/7500/9 SERIES CROSS TUBE END PLATE #2	1	J
7	5620132	HD-7/7500/9 SERIES CROSS TUBE END PLATE #3	1	J
8	5620133	HD-7/7500/9 SERIES CROSS TUBE END PLATE #4	1	J
9	5735052	HD-7P/7PXN/9ST/9STX CROSS TUBE STRAP	2	D

DO NOT SCALE DRAWING	NAME	DATE	1645 LEMONWOOD DR. SANTA PAULA, CA 93060	
DIMENSIONS ARE IN MM TOLERANCES: 0. = ±1.5 0.0 = ±0.5  ANGULAR: 0. = ±2°  SURFACE FINISH 1.6 ISO Ra µm FOR MACHINED SURFACES UNLESS OTHERWISE SPECIFIED	DRAWN	AC		11/11/2008
	CHECKED	CA		08/27/2015
THIRD ANGLE PROJECTION			TITLE: <b>HD-9ST/9STX SMALL WINDOW CROSSTUBE WELDMENT</b>	
PROPRIETARY AND CONFIDENTIAL THE INFORMATION CONTAINED IN THIS DRAWING IS THE SOLE PROPERTY OF BENDPAK INC. ANY REPRODUCTION IN PART OR AS A WHOLE WITHOUT THE WRITTEN PERMISSION OF BENDPAK INC. IS PROHIBITED.		SIZE DWG. NO. <b>A 5600152</b>	REV <b>N</b>	
SCALE: 1:15			SHEET 1 OF 2	

**NOTE: UNLESS OTHERWISE SPECIFIED.**

1. BREAK AND DEBURR ALL SHARP EDGES 0.3mm
2. REMOVE ALL WELD SPLATTER
3. PAINT BENDPAK BLUE

NEXT ASSEMBLY  
5215601



REVISION				
REV	DESCRIPTION	DATE	EDITED BY	ECO#
M	UPDATED BOM REVISIONS	09/30/2014	TM	00664
N	CLARIFIED AIR LINE TROUGH DISTANCE, WAS 50 NOW 69, WAS 34 TO BOLT HOLE NOW 69 TO AIR FITTING HOLE, WAS 25 TO BOLT HOLE NOW 79 AIR LINE TROUGH, UPDATED BOM REVISION	05/28/2015	TM	00683

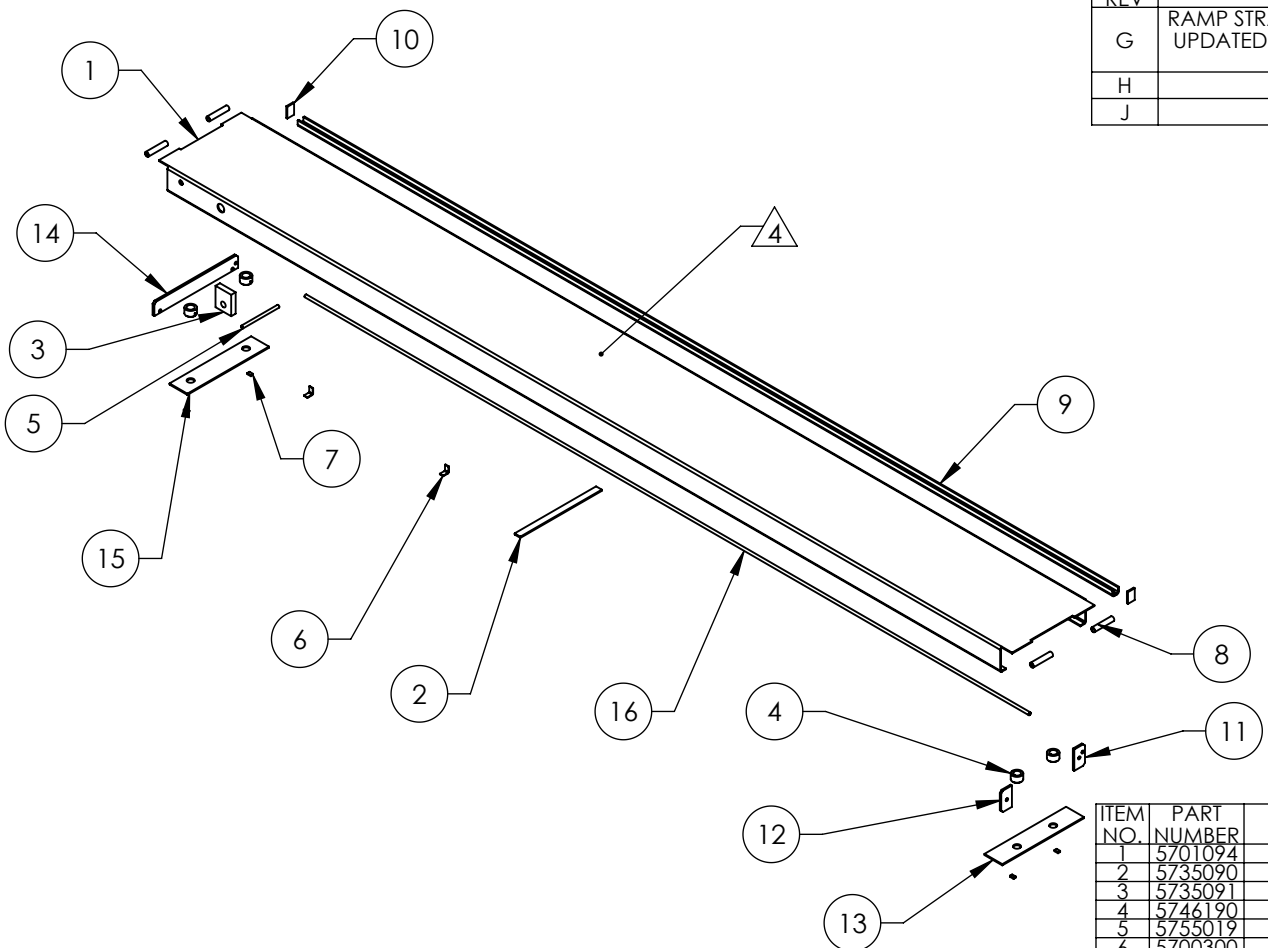
ITEM NO	PART NUMBER	DESCRIPTION	QTY	REV
1	5766053	HD-9ST/9STX LARGE WINDOW CROSSTUBE	1	E
2	5760010	HD-7/9 SERIES CROSSTUBE SAFETY BLOCK	2	B
3	5755018	AIR LINE TROUGH Ø13 x Ø9.8 x 297	2	C
4	5755020	AIR LINE TROUGH Ø13 x Ø9.8 x 918	1	C
5	5620130	HD-7/7500/9 SERIES CROSS TUBE END PLATE #1	1	J
6	5620131	HD-7/7500/9 SERIES CROSS TUBE END PLATE #2	1	J
7	5620132	HD-7/7500/9 SERIES CROSS TUBE END PLATE #3	1	J
8	5620133	HD-7/7500/9 SERIES CROSS TUBE END PLATE #4	1	J
9	5735052	HD-7P/7PXN/9ST/9STX CROSS TUBE STRAP	2	D

DO NOT SCALE DRAWING	NAME	DATE	1645 LEMONWOOD DR. SANTA PAULA, CA 93060
	DRAWN	AC 11/11/2008	
	CHECKED	-	
DIMENSIONS ARE IN MM TOLERANCES: 0. = ±1.5 0.0 = ±0.5 ANGULAR: 0. = ±2° SURFACE FINISH 1.6 ISO Ra µm FOR MACHINED SURFACES UNLESS OTHERWISE SPECIFIED	THIRD ANGLE PROJECTION		TITLE: <b>HD-9ST/9STX LARGE WINDOW CROSSTUBE WELDMENT</b>
NEXT ASSEMBLY 5215602		PROPRIETARY AND CONFIDENTIAL THE INFORMATION CONTAINED IN THIS DRAWING IS THE SOLE PROPERTY OF BENDPAK INC. ANY REPRODUCTION IN PART OR AS A WHOLE WITHOUT THE WRITTEN PERMISSION OF BENDPAK INC. IS PROHIBITED.	
		SCALE: 1:15	
		REV <b>A</b> 5600153 N	
		SHEET 1 OF 2	

**NOTE: UNLESS OTHERWISE SPECIFIED.**

1. BREAK AND DEBURR ALL SHARP EDGES 0.3mm
2. REMOVE ALL WELD SPLATTER
3. PAINT BENDPAK BLUE

REVISION				
REV	DESCRIPTION	DATE	EDITED BY	ECO#
G	RAMP STRAP DISTANCE WAS 2147 NOW 1969, UPDATED NEXT ASSEMBLY, UPDATED TITLE TO REFLECT WHERE USED	06/03/2011	TM	00464
H	UPDATED BOM REVISION	08/20/2012	TM	00541
J	UPDATED BOM REVISION	09/02/2014	TM	00664

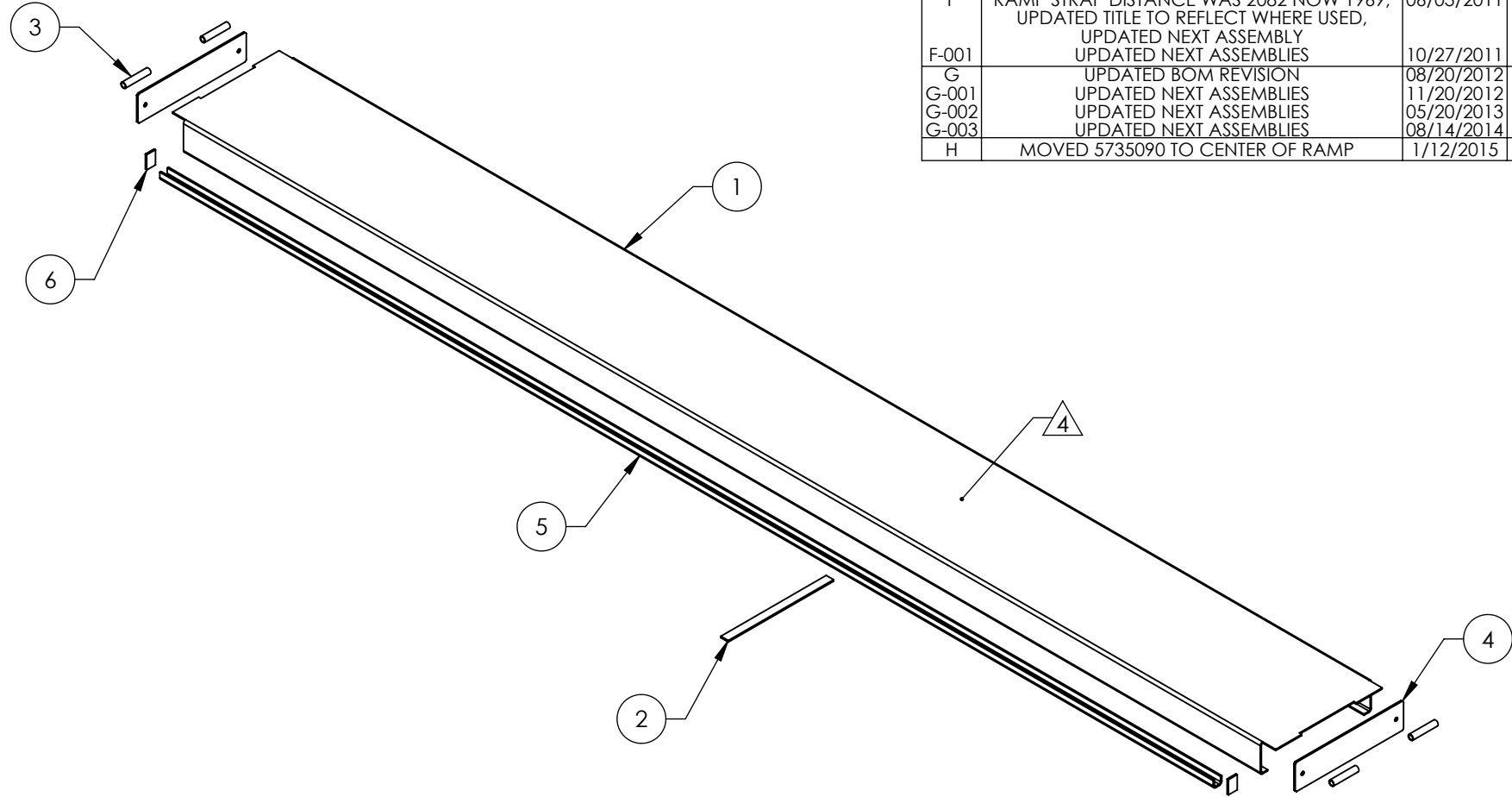


ITEM NO.	PART NUMBER	DESCRIPTION	QTY	REV
1	5701094	HD-7500BLX/9STX/9SWX/ 9XW/9AE EXTENDED RAMP	1	E
2	5735090	HD-7500/9 SERIES RAMP STRAP	1	B
3	5735091	HD-7500/9 SERIES CYLINDER CLEVIS	1	C
4	5746190	HD-7/7500/9 SERIES RAMP SHEAVE BUSHING	4	C
5	5755019	AIR LINE TROUGH Ø13 x Ø9.8 x 203	1	B
6	5700300	HYD. HOSE HOLDER	2	A
7	5735028	PIN STOP	4	B
8	5755090	HD-7/7500/9 SERIES DRIVE UP RAMP HINGE TUBE	4	C
9	5700192	HD-7PX SERIES, HD-9STX/9SWX/ 9XW/9AE ROLLING BRIDGE BEAM	1	D
10	5735032	HD-7/9/14, HDS/HDSO-14, XR-12000 ROLLING JACK RAIL CLOSEOUT	2	C
11	5736203	HD-7500/9 SERIES 4-SHEAVE RIGHT RAMP BOLT PLATE	1	C
12	5736204	HD-7500/9 SERIES 4-SHEAVE LEFT RAMP BOLT PLATE	1	C
13	5736200	HD-7500/9 SERIES 4-SHEAVE RAMP END PLATE	1	B
14	5736202	HD-7/7500/9 SERIES 2-SHEAVE RAMP BOLT PLATE	1	C
15	5736201	HD-7/7500/9 SERIES 2-SHEAVE RAMP END PLATE	1	B
16	5755024	AIR LINE TROUGH Ø13 x Ø9.8 x 4064	1	A

- NOTE: UNLESS OTHERWISE SPECIFIED.**
- BREAK AND DEBURR ALL SHARP EDGES 0.3mm
  - REMOVE ALL WELD SPLATTER
  - PAINT BENDPAK BLUE
  - APPLY #30 GRIT ALUMINUM OXIDE WHEN PAINTING TO TOP ONLY AFTER WELDING

NEXT ASSEMBLY	5215192
	5215525

DO NOT SCALE DRAWING	NAME	DATE	1645 LEMONWOOD DR. SANTA PAULA, CA 93060
DIMENSIONS ARE IN MM TOLERANCES: 0. = ±1.5 0.0 = ±0.5	DRAWN	AC 11/28/2008	
ANGULAR: 0. = ±2°	CHECKED	MT 09/13/2012	TITLE: HD-7500BLX/9STX/ 9SWX/9XL/9XW POWER SIDE WELDMENT
SURFACE FINISH 1.6 ISO Ra µm FOR MACHINED SURFACES UNLESS OTHERWISE SPECIFIED	THIRD ANGLE PROJECTION		
MATERIAL: --			SIZE DWG. NO.
SIZE: --	PROPRIETARY AND CONFIDENTIAL THE INFORMATION CONTAINED IN THIS DRAWING IS THE SOLE PROPERTY OF BENDPAK INC. ANY REPRODUCTION IN PART OR AS A WHOLE WITHOUT THE WRITTEN PERMISSION OF BENDPAK INC. IS PROHIBITED.		REV
	SCALE: 1:30		A 5600192 J
	SHEET 1 OF 4		



REVISION				
REV	DESCRIPTION	DATE	EDITED BY	ECO#
F	RAMP STRAP DISTANCE WAS 2082 NOW 1969, UPDATED TITLE TO REFLECT WHERE USED, UPDATED NEXT ASSEMBLY	06/03/2011	TM	00464
F-001	UPDATED NEXT ASSEMBLIES	10/27/2011	TM	00487
G	UPDATED BOM REVISION	08/20/2012	TM	00541
G-001	UPDATED NEXT ASSEMBLIES	11/20/2012	TM	00562
G-002	UPDATED NEXT ASSEMBLIES	05/20/2013	TM	00593
G-003	UPDATED NEXT ASSEMBLIES	08/14/2014	TM	00664
H	MOVED 5735090 TO CENTER OF RAMP	1/12/2015	MR	00675

ITEM NO	PART NUMBER	DESCRIPTION	QTY	REV
1	5701473	HD-7/7500/9 SERIES EXTENDED RAMP	1	C
2	5735090	HD-7500/9 SERIES RAMP STRAP	1	B
3	5755090	HD-7/7500/9 SERIES DRIVE UP RAMP HINGE TUBE	4	C
4	5736090	HD-7/7500/9 SERIES RAMP END PLATE	2	C
5	5700192	HD-7PX SERIES, HD-9STX/9SWX/ 9XW/9AE ROLLING BRIDGE BEAM	1	D
6	5735032	HD-7/9/14, HDS/HDSO-14, XR-12000 ROLLING JACK RAIL CLOSEOUT	2	C

**NOTE: UNLESS OTHERWISE SPECIFIED.**

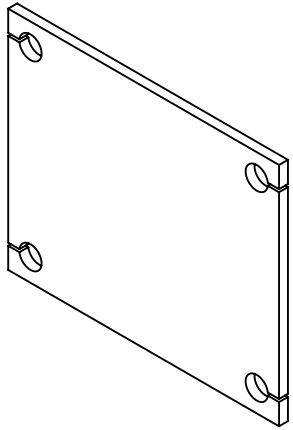
1. BREAK AND DEBURR ALL SHARP EDGES 0.3mm
2. REMOVE ALL WELD SPLATTER
3. PAINT BENDPAK BLUE
4. APPLY #30 GRIT ALUMINUM OXIDE WHEN PAINTING TO TOP ONLY AFTER WELDING

NEXT ASSEMBLY
5245381
5245382
5245389
5245392
5245393

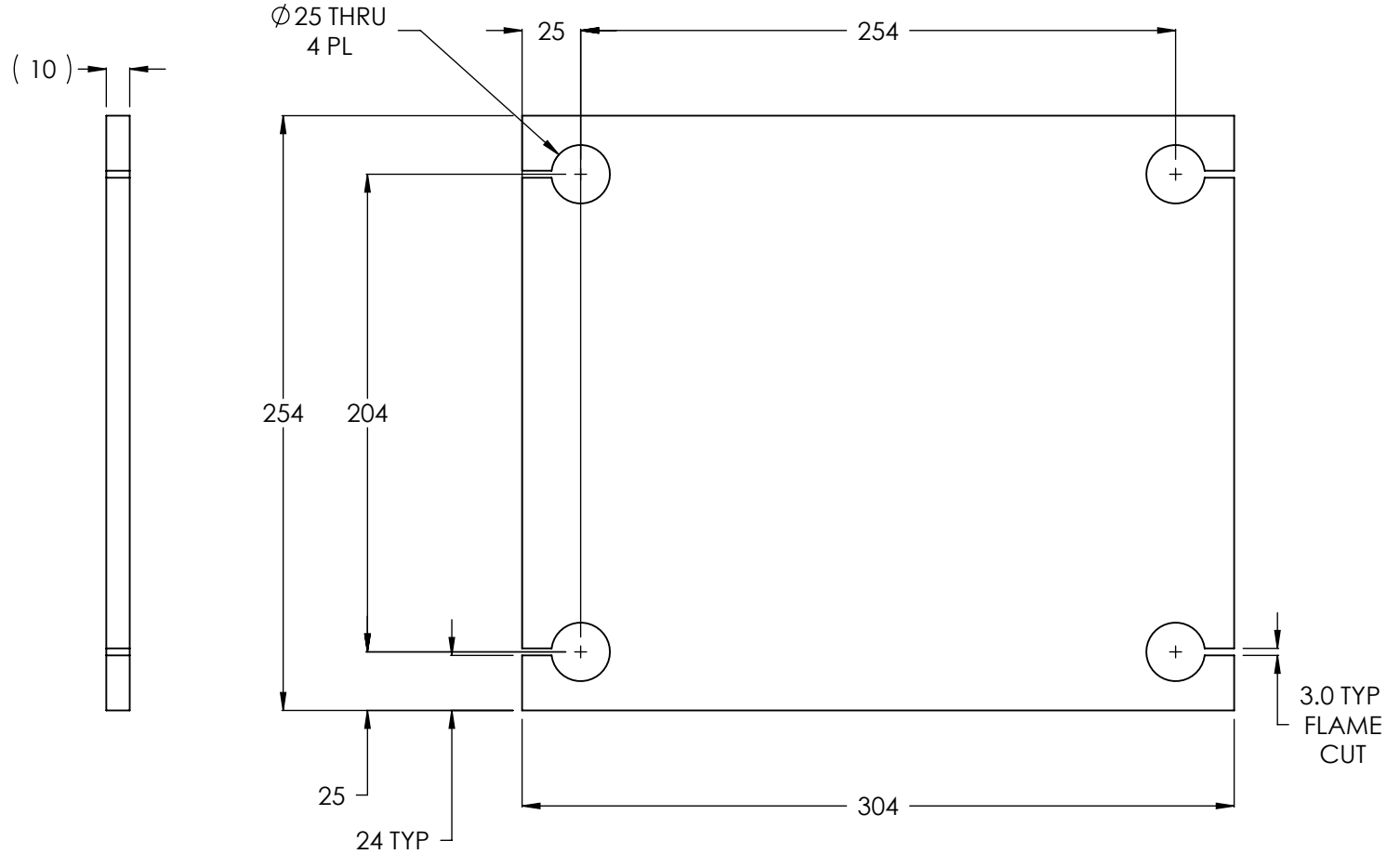
DO NOT SCALE DRAWING	NAME	DATE	1645 LEMONWOOD DR. SANTA PAULA, CA 93060
DIMENSIONS ARE IN MM TOLERANCES: 0. = ±1.5 0.0 = ±0.5	DRAWN	AC 11/05/2008	
ANGULAR: 0. = ±2°	CHECKED	CA 08/27/2015	
THIRD ANGLE PROJECTION			
SURFACE FINISH 1.6 ISO Ra µm FOR MACHINED SURFACES UNLESS OTHERWISE SPECIFIED		TITLE: HD-7500BLX/9STX/ 9SWX/9XL/9XW OFFSIDE RAMP WELDMENT	
		SIZE DWG. NO. <b>A</b> 5600205	REV H
		SCALE: 1:20 SHEET 1 OF 3	

PROPRIETARY AND CONFIDENTIAL  
 THE INFORMATION CONTAINED IN THIS DRAWING IS THE SOLE PROPERTY OF BENDPAK INC. ANY REPRODUCTION IN PART OR AS A WHOLE WITHOUT THE WRITTEN PERMISSION OF BENDPAK INC. IS PROHIBITED.

REVISION				
REV.	DESCRIPTION	DATE	EDITED BY	ECO#
B	UPDATE SHEET TEMPLATE	03/31/2008	MT	00157
B-001	CHANGED SURFACE FINISH FROM 3.2 $\mu\text{m}$ TO 1.6 $\text{Ra } \mu\text{m}$	09/10/2008	GJ	00237
B-002	UPDATED NEXT ASSEMBLY	10/30/2008	AC	00174
B-003	UPDATED NEXT ASSEMBLY	11/12/2008	TM	00249
C	UPDATED TITLE TO REFLECT WHERE USED	02/26/2010	AC	00333
D	UPDATED TITLE TO REFLECT WHERE USED	06/02/2010	AC	00366
D-001	UPDATED NEXT ASSEMBLIES	11/01/2011	TM	00487



ISOMETRIC VIEW  
FOR REFERENCE ONLY  
DO NOT SCALE



**NOTE: UNLESS OTHERWISE SPECIFIED.**

1. BREAK AND DEBURR ALL SHARP EDGES 0.3mm.

DO NOT SCALE DRAWING DIMENSIONS ARE IN MM TOLERANCES: 0. = $\pm 1.5$ 0.0 = $\pm 0.5$ ANGULAR: 0. = $\pm 2^\circ$ SURFACE FINISH 1.6 ISO $\text{Ra } \mu\text{m}$ FOR MACHINED SURFACES UNLESS OTHERWISE SPECIFIED MATERIAL: HR ASTM A36 OR Q235 GB/T 700 SIZE: 10mm THK	NAME GJZ	DATE 02/29/2008		<b>Proprietary and Confidential</b> THE INFORMATION CONTAINED IN THIS DRAWING IS THE SOLE PROPERTY OF BENDPAK INC. ANY REPRODUCTION IN PART OR AS A WHOLE WITHOUT THE WRITTEN PERMISSION OF BENDPAK INC. IS PROHIBITED.	1645 LEMONWOOD DR. SANTA PAULA, CA 93060	TITLE: <b>HD-7P/7500/9/14 SERIES          POST BASE PLATE</b>	
	DRAWN GJZ	CHECKED				SIZE DWG. NO. <b>A</b> 5731632	REV D
NEXT ASSEMBLY 5600182 5600183 5600184 5600185 5600524 5600525 5600639 5600640 5600903 5600904 5620236 5620237	SCALE: 1:3		SHEET 1 OF 1				

## PART SPECIFICATION FORM

<b>BENDPAK Number:</b>	5900123
<b>MRP Description:</b>	HD-9 INSTALLATION MANUAL
<b>Date:</b>	05/12/2016
<b>ECO :</b>	00741

### 1. Engineering Specification

**Application:**

**INSTALLATION MANUAL**

**Detailed Description:**

**WARNING**

**EUROPEAN USERS**

400V/50HZ SUPPLY DETAILS ARE INCLUDED WITH ELECTRICAL CONNECTION BOX. CHECK CAREFULLY WIRING DETAILS IN THIS MANUAL.

**IMPORTANT SAFETY INSTRUCTIONS**  
SAVE THESE INSTRUCTIONS

PLEASE READ THE ENTIRE CONTENTS OF THIS MANUAL PRIOR TO INSTALLATION AND OPERATION. BY PROCEEDING YOU AGREE THAT YOU FULLY UNDERSTAND AND COMPREHEND THE FULL CONTENTS OF THIS MANUAL. FORWARD THIS MANUAL TO ALL OPERATORS. FAILURE TO OPERATE THIS EQUIPMENT AS DIRECTED MAY CAUSE INJURY OR DEATH.

Manual HD9 11-02-15  
p# 5900123

---

**INSTALLATION AND OPERATION MANUAL**

**9,000 POUND CAPACITY  
COMMERCIAL GRADE  
FOUR-POST LIFTS**

**MODELS:**

HD-9ST    VERSION K

HD-9     VERSION L

HD-9STX    VERSION K

HD-9XW    VERSION L

HD-9XL    VERSION E

**READ FIRST**



DO NOT OPERATE THIS EQUIPMENT UNTIL YOU READ AND UNDERSTAND ALL THE IMPORTANT INSTRUCTIONS AND WARNINGS IN THIS MANUAL.



**ORIGINAL INSTRUCTIONS IN ENGLISH LANGUAGE**

**RECEIVING**  
The shipment should be thoroughly inspected as soon as it is received. The signed Bill of Lading is acknowledgement by the shipping carrier as receipt of this product as listed in your invoice as being in a good condition of shipment. If any of these goods listed on this Bill of Lading are missing or damaged, do not accept goods until the shipping carrier makes a notation on the freight bill of the missing or damaged goods. Do this for your own protection.

**BE SAFE**  
Your new lift was designed and built with safety in mind. However, your overall safety can be increased with proper training and thoughtful operation on the part of the operator. **DO NOT** operate or repair this equipment without reading this manual and the important safety instructions shown inside. Keep this operation manual near the lift at all times. Make sure that **ALL USERS** read and understand this manual.

**Keep this operation manual near the machine at all times. Make sure that ALL USERS read this manual.**



1645 Lemonwood Dr.  
Santa Paula, CA. 93060, USA  
Toll Free 1-800-253-2393  
Tel: 1-805-933-9970  
Fax: 1-805-933-9160  
www.bendpak.com

### 2. Vendor Information

Approved Vendor	Vendor Part #	Contact #	Preferred Vendor
1)			

## PART SPECIFICATION FORM

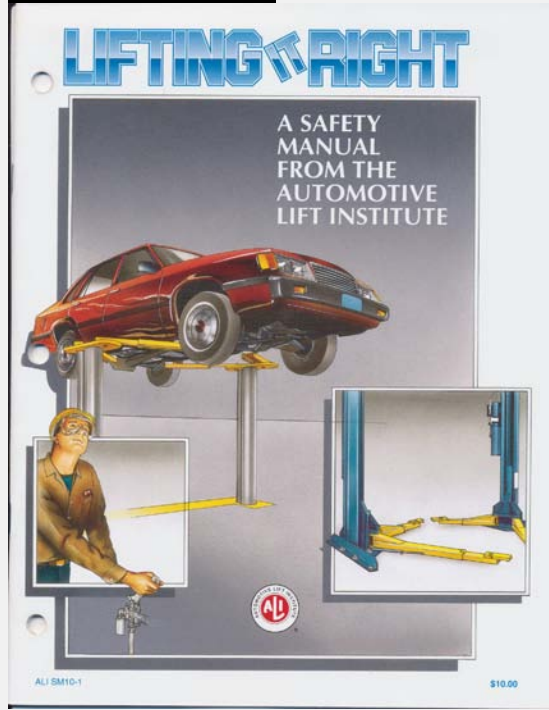
<b>BENDPAK Number:</b>	5900147
<b>MRP Description:</b>	SAFETY MANUAL ALI / SM 93-1
<b>Date:</b>	12/28/2010
<b>ECO :</b>	00431

### 1. Engineering Specification

**Application:**

ALI SAFETY MANUAL

**Detailed Description:**



### 2. Vendor Information

Approved Vendor	Vendor Part #	Contact #	Preferred Vendor
1)			

## PART SPECIFICATION FORM

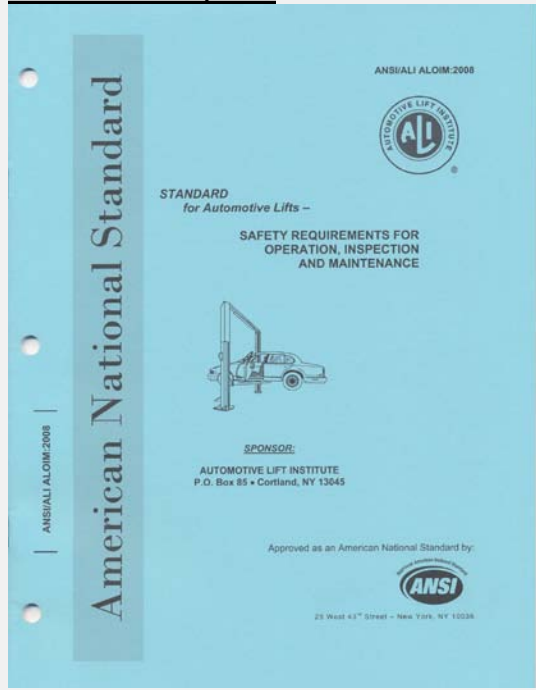
<b>BENDPAK Number:</b>	5900152
<b>MRP Description:</b>	ALIGN OIM OPERATION INSPECTION & MAINTENANCE
<b>Date:</b>	12/28/2010
<b>ECO :</b>	00431

### 1. Engineering Specification

**Application:**

ALI OPERATION INSPECTION & MAINTENANCE MANUAL

**Detailed Description:**



### 2. Vendor Information

Approved Vendor	Vendor Part #	Contact #	Preferred Vendor
1)			



## PART SPECIFICATION FORM

<b>BENDPAK Number:</b>	5905103
<b>MRP Description:</b>	WARNING ALI/WL 200
<b>Date:</b>	05/06/2013
<b>ECO :</b>	00593

### 1. Engineering Specification

**Application:**

ALI 4 POST SAFETY STICKER KIT

**Detailed Description:**

**Automotive Lift Institute, Inc.**

The messages and pictographs shown are generic in nature and are meant to generally represent hazards common to all automotive lifts regardless of specific style.  
 Funding for the development and validation of these labels was provided by the Automotive Lift Institute, PO Box 85 Cortland, NY 13045.  
 Replacement label sets may be obtained from the original lift manufacturer and ALI's member companies. They are protected by copyright.  
 www.aliintl.org © 2012 by ALL Inc. ALI/WL200

**WL200 Series Label Kit**

SIZE: 11" L x 8.5" W (279mm x 216mm)

The messages and pictographs shown are generic in nature and are meant to generally represent hazards common to all automotive lifts regardless of specific style.  
 Funding for the development and validation of these labels was provided by the Automotive Lift Institute, PO Box 85 Cortland, NY 13045.  
 Replacement label sets may be obtained from the original lift manufacturer and ALI's member companies. They are protected by copyright.  
 www.aliintl.org © 2012 by ALL Inc. ALI/WL200

### 2. Vendor Information

Approved Vendor	Vendor Part #	Contact #	Preferred Vendor
1)			

## PART SPECIFICATION FORM

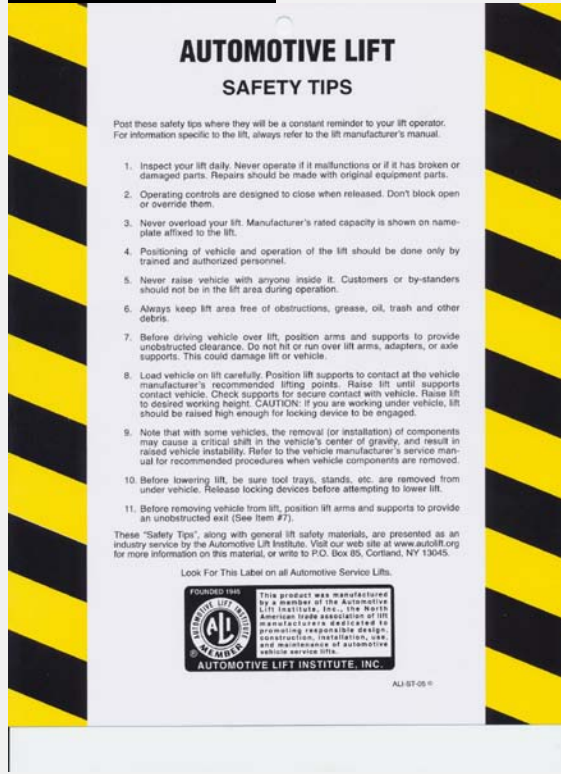
<b>BENDPAK Number:</b>	5905151
<b>MRP Description:</b>	SAFETY TIPS CARD ALI-ST 90
<b>Date:</b>	12/28/2010
<b>ECO :</b>	00431

### 1. Engineering Specification

**Application:**

ALI SAFETY TIPS

**Detailed Description:**



### 2. Vendor Information

Approved Vendor	Vendor Part #	Contact #	Preferred Vendor
1)			

## PART SPECIFICATION FORM

<b>BENDPAK Number:</b>	5905311
<b>MRP Description:</b>	BENDPAK LABEL; 4 x 38" WHITE INK
<b>Date:</b>	05/13/2015
<b>ECO :</b>	00689

### 1. Engineering Specification

**Application:**

BENDPAK LABEL

**Detailed Description:**



SIZE: 38" L x 4.25" W (965mm x 108mm)

- Material: Yellow Represents Clear Adhesive PET
- Size: 4.25"W x 38"H
- Thickness: 4 Mil
- Finish: Polished
- Ink: U.V. protected, Opaque White
- Print Process: Silk Screen, 85 line-screen (Opaque White ink, clear adhesive PET will fill in blank areas.)
- Lamination: Clear-gloss over-laminate for abrasion, chemical, and ultra violet protection

### 2. Vendor Information

Approved Vendor	Vendor Part #	Contact #	Preferred Vendor
1)			

B

E

N

D

P

A

K

BENDPAK

**ABOVE-GROUND LIFTS**



1645 Lemonwood Drive  
Santa Paula, CA 93060  
U.S.A.  
(805) 933-9970  
[www.bendpak.com](http://www.bendpak.com)

## PART SPECIFICATION FORM

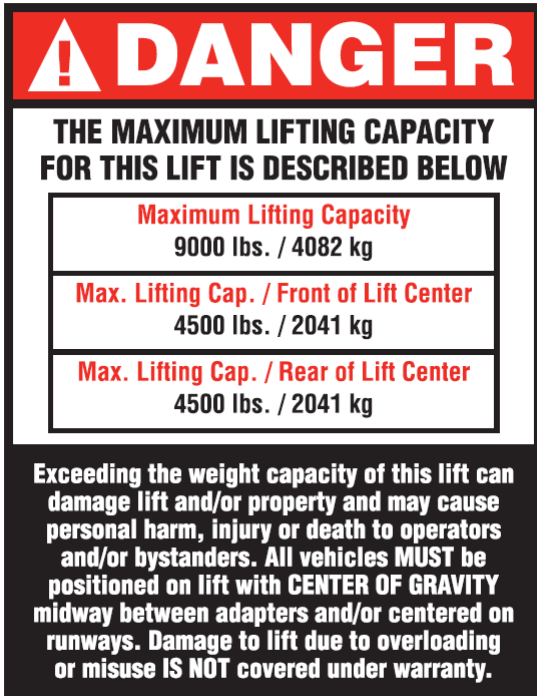
BENDPAK Number:	5905402
MRP Description:	MAX CAP DANGER 9K
Date:	05/06/2013
ECO :	00593

### 1. Engineering Specification

**Application:**

LIFT CAPACITY STICKER

**Detailed Description:**



SIZE: 5" L x 4" W (127mm x 100mm)

P/N 5905402

### 2. Vendor Information

Approved Vendor	Vendor Part #	Contact #	Preferred Vendor
1)			

# **DANGER**

## **THE MAXIMUM LIFTING CAPACITY FOR THIS LIFT IS DESCRIBED BELOW**

### **Maximum Lifting Capacity**

**9000 lbs. / 4082 kg**

### **Max. Lifting Cap. / Front of Lift Center**

**4500 lbs. / 2041 kg**

### **Max. Lifting Cap. / Rear of Lift Center**

**4500 lbs. / 2041 kg**

**Exceeding the weight capacity of this lift can damage lift and/or property and may cause personal harm, injury or death to operators and/or bystanders. All vehicles MUST be positioned on lift with CENTER OF GRAVITY midway between adapters and/or centered on runways. Damage to lift due to overloading or misuse IS NOT covered under warranty.**

## PART SPECIFICATION FORM

<b>BENDPAK Number:</b>	5905465
<b>MRP Description:</b>	MANUFACTURER LABEL
<b>Date:</b>	05/07/2013
<b>ECO :</b>	00593

### 1. Engineering Specification

**Application:**

MANUFACTURER LABEL

**Detailed Description:**

MFD. BY BENDPAK INC.

LIFT TYPE: SURFACE MOUNT      CAPACITY: MED/HVY DTY  
 POWER: ELECTRIC/HYDRAULIC      ANCHORS: AS EQUIPPED  
 INSTALLATION – SEE OWNERS GUIDE OR CONTACT FACTORY

SIZE: 5.125" L x 5.125" W (130mm x 130mm)

**SHIPPING DAMAGE CLAIMS**

WHEN THIS EQUIPMENT IS SHIPPED, TITLE PASSES TO THE PURCHASER UPON RECEIPT FROM THE CARRIER. CONSEQUENTLY, CLAIMS FOR THE MATERIAL DAMAGED IN SHIPMENT MUST BE MADE BY THE PURCHASER AGAINST THE TRANSPORTATION COMPANY AT THE TIME SHIPMENT IS RECEIVED.

**PLEASE READ ALL OPERATORS/USERS MANUAL(S) PRIOR TO INSTALLATION AND OPERATION. UNDERSTAND AND COMPREHEND THE FULL CONTENTS OF EACH MANUAL(S) PRIOR TO INSTALLATION AND OPERATION. DELIVER THE MANUAL(S) TO ALL OPERATORS. FAILURE TO OPERATE THIS EQUIPMENT AS DIRECTED MAY CAUSE INJURY OR DEATH.**

**IMPORTANT NOTE:**

BENDPAK LIFTS ARE SUPPLIED WITH CONCRETE FASTENERS MEETING THE CRITERIA AS PRESCRIBED BY ASTM E488 – 96(2003). LIFT BUYERS ARE RESPONSIBLE FOR ANY SPECIAL REGIONAL STRUCTURAL AND/OR SEISMIC ANCHORING REQUIREMENTS SPECIFIED BY ANY OTHER AGENCIES AND/OR CODES SUCH AS THE UNIFORM BUILDING CODE (UBC) AND/OR INTERNATIONAL BUILDING CODE (IBC).



INTERNAL BAR CODE – FOR FACTORY AUDIT ONLY 34086

BPK	STYOT	P20KVR	X18576	HVY DTY/ GVR 832
-----	-------	--------	--------	---------------------

THE MANUFACTURE, USE, SALE OR IMPORT OF THIS PRODUCT MAY BE SUBJECT TO ONE OR MORE UNITED STATES PATENTS, OR PENDING APPLICATIONS, OWNED BY BENDPAK, INC.

ENGINEERED BY BENDPAK INC USA

MADE IN CHINA

### 2. Vendor Information

Approved Vendor	Vendor Part #	Contact #	Preferred Vendor
1)			

MFD. BY BENDPAK INC.

LIFT TYPE: SURFACE MOUNT

CAPACITY: MED/HVY DTY

POWER: ELECTRIC/HYDRAULIC

ANCHORS: AS EQUIPPED

INSTALLATION - SEE OWNERS GUIDE OR CONTACT FACTORY

**SHIPPING DAMAGE CLAIMS**

WHEN THIS EQUIPMENT IS SHIPPED, TITLE PASSES TO THE PURCHASER UPON RECEIPT FROM THE CARRIER. CONSEQUENTLY, CLAIMS FOR THE MATERIAL DAMAGED IN SHIPMENT MUST BE MADE BY THE PURCHASER AGAINST THE TRANSPORTATION COMPANY AT THE TIME SHIPMENT IS RECEIVED.

PLEASE READ ALL OPERATORS/USERS MANUAL(S) PRIOR TO INSTALLATION AND OPERATION. UNDERSTAND AND COMPREHEND THE FULL CONTENTS OF EACH MANUAL(S) PRIOR TO INSTALLATION AND OPERATION. DELIVER THE MANUAL(S) TO ALL OPERATORS. FAILURE TO OPERATE THIS EQUIPMENT AS DIRECTED MAY CAUSE INJURY OR DEATH.

**IMPORTANT NOTE:**

BENDPAK LIFTS ARE SUPPLIED WITH CONCRETE FASTENERS MEETING THE CRITERIA AS PRESCRIBED BY ASTM E488 - 96(2003). LIFT BUYERS ARE RESPONSIBLE FOR ANY SPECIAL REGIONAL STRUCTURAL AND/OR SEISMIC ANCHORING REQUIREMENTS SPECIFIED BY ANY OTHER AGENCIES AND/OR CODES SUCH AS THE UNIFORM BUILDING CODE (UBC) AND/OR INTERNATIONAL BUILDING CODE (IBC).



INTERNAL BAR CODE - FOR FACTORY AUDIT ONLY 34086

BPK

STYOT

P20KVR

X18576

HVY DTY/

GVR  
832

THE MANUFACTURE, USE, SALE OR IMPORT OF THIS PRODUCT MAY BE SUBJECT TO ONE OR MORE UNITED STATES PATENTS, OR PENDING APPLICATIONS, OWNED BY BENDPAK, INC.

ENGINEERED BY BENDPAK INC USA

MADE IN CHINA



## PART SPECIFICATION FORM

<b>BENDPAK Number:</b>	5905556
<b>MRP Description:</b>	4-POST SAFETY DECAL
<b>Date:</b>	05/06/2013
<b>ECO :</b>	00593

### 1. Engineering Specification

**Application:**  
 4-POST SAFETY DECAL

**Detailed Description:**



SIZE: 23" L x 4" W (584mm x 100mm)

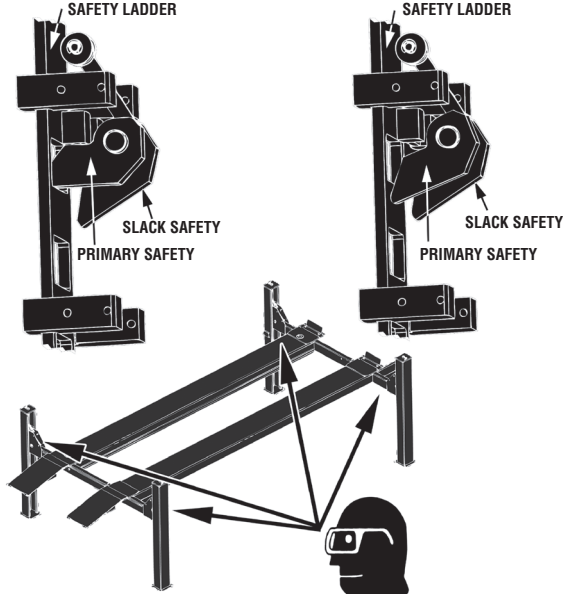
### 2. Vendor Information

Approved Vendor	Vendor Part #	Contact #	Preferred Vendor
1)			

# **! DANGER**

**SAFETY LOCKS ENGAGED  
- OK TO PROCEED -**

**SAFETY LOCK NOT ENGAGED  
- REMAIN CLEAR -**



## **VISUALLY CONFIRM THAT ALL PRIMARY SAFETY LOCKS ARE ENGAGED BEFORE ENTERING WORK AREA.**

Suspension components used on this lift are intended to raise and lower lift only and are NOT meant to be load-holding devices. Remain clear of elevated lift unless visual confirmation is made that all primary safety locks are fully engaged and the lift is LOWERED onto the safety locks. Refer to installation/operation manual for proper safety lock procedures and/or further instruction.

# **! WARNING**

## **WIRE ROPE INSPECTION AND MAINTENANCE**

- Lifting cables should be replaced every (3) three years or when visible signs of damage are apparent. DO NOT USE LIFT WITH DEFECTIVE OR WORN CABLES.
- Wire rope should be maintained in a well-lubricated condition at all times. Wire rope is only fully protected when each wire strand is lubricated both internal and external. Excessive wear will shorten the life of the wire rope. The factory suggests wire rope lubricant that penetrates to the core of the rope and provides long-term lubrication between each individual strand. In order to make sure that the inner layers of the rope remain well lubricated, lubrication should be carried out at intervals not exceeding three (3) months during operation.
- All sheaves and guide rollers in contact with the moving wire rope should be given regular visual checks for surface wear and lubricated to make sure that they run freely. This operation should be carried out at appropriate intervals generally not exceeding three (3) months during operation. For all sheave axles, the factory recommends standard wheel bearing grease. For all sheaves and/or guide rollers, the factory recommends 90-WT gear oil or similar heavy lubricant applied by any method including pump/spray dispensing, brush, hand and/or swabbing.

**Failure to read, understand and follow these instructions may cause death or serious injury. Read and understand these instructions before using lift.**

## **IMPORTANT OPERATION / MAINTENANCE INSTRUCTIONS - PLEASE READ**

### **TO RAISE LIFT**

- ✓ Position vehicle tires at the center of each runway.
- ✓ Set parking brake or use wheel chock to hold vehicle in position.
- ✓ Before raising vehicle, be sure all personnel are clear of lift and surrounding area. Pay careful attention to overhead clearances.
- ✓ Raise lift to desired height by pressing push button on power unit.
- ✓ Maintain visual contact with vehicle and surrounding area at all times while lowering lift.
- ✓ **STOP IMMEDIATELY** if load shifts or becomes unlevel.
- ✓ After vehicle is raised to desired height, lower lift onto the nearest safety lock. Do not allow cables to become excessively slack.
- ✓ **ALWAYS INSURE ALL PRIMARY SAFETY LOCKS ARE ENGAGED** before entering work area.

### **TO LOWER LIFT**

- ✓ Before lowering vehicle, be sure all personnel, tools and equipment are clear of lift and surrounding area.
- ✓ Raise lift by pressing RAISE BUTTON on power unit. Elevate lift at least two inches to allow adequate clearance for locks to clear.
- ✓ Press push button AIR SAFETY VALVE and HOLD.
- ✓ Lower vehicle by pressing power unit lowering handle until lift has descended completely.
- ✓ When lowering lift **PAY CAREFUL ATTENTION** that all personnel and objects are kept clear.
- ✓ **ALWAYS** keep a visual line of site on lift **AT ALL TIMES**.
- ✓ **ALWAYS** make sure that **ALL LOCKS** are disengaged. If one of the locks inadvertently engages on descent, lift and/or vehicle may disrupt causing personal injury or death.

### **REQUIRED MONTHLY MAINTENANCE**

- ✓ **ALWAYS** consult operation manual for factory recommended maintenance.
- ✓ Adjust lift cables to ensure lift raises level and safety locks engage simultaneously.
- ✓ Check all chain/cable connections, bolts and pins to insure proper mounting.
- ✓ Visually inspect safety locks for proper operation.
- ✓ Visually inspect concrete floor. **DO NOT USE LIFT** if concrete foundation shows signs of deterioration.
- ✓ Inspect all anchor bolts and retighten if necessary.
- ✓ Check columns for squareness and plumb.
- ✓ Inspect all bolts and/or fasteners making sure they are properly secured.
- ✓ Make a visual inspection of **ALL MOVING PARTS** and check for excessive signs of wear.
- ✓ Replace **ALL FAULTY PARTS** before lift is put back into operation.

### **! WARNING**

1. **WARNING:** If cement anchor bolts are loose, or any component of the lift is found to be defective, **DO NOT USE LIFT!**
2. Never operate the lift with any person or equipment below.
3. Never exceed rated capacity.
4. Always insure safety locks are engaged before any attempt is made to work on or near vehicle.
5. Never leave lift in an elevated position unless the safety locks are engaged.
6. Do not permit electric motor to get wet! Motor damage caused by dampness is not covered under warranty.

## PART SPECIFICATION FORM

<b>BENDPAK Number:</b>	5905940
<b>MRP Description:</b>	PRODUCT DATA LABEL
<b>Date:</b>	05/06/2013
<b>ECO :</b>	00593

### 1. Engineering Specification

**Application:**

PRODUCT DATA LABEL

**Detailed Description:**



SANTA PAULA, CA USA  
WWW.BENDPAK.COM

---

LIFT TYPE: SURFACE MOUNT    CAP: MED/HVY DTY    MFG. BPK    SEE DATA PLATE FOR PRODUCT DETAILS  
 POWER: ELECTRIC/HYDRAULIC    INSTALLATION - SEE OWNERS GUIDE OR CONTACT FACTORY

SAFETY INSTRUCTIONS: IF ATTACHMENTS, ACCESSORIES OR CONFIGURATION MODIFYING COMPONENTS THAT ARE LOCATED IN THE LOAD PATH, AFFECT OPERATION OF THE LIFT, AFFECT THE LIFT ELECTRICAL LISTING OR AFFECT INTENDED VEHICLE ACCOMMODATION ARE USED ON THIS LIFT AND, IF THEY ARE NOT CERTIFIED FOR USE ON THIS LIFT, THEN THE CERTIFICATION OF THIS LIFT SHALL BECOME NULL AND VOID. CONTACT THE PARTICIPANT FOR INFORMATION PERTAINING TO CERTIFIED ATTACHMENTS, ACCESSORIES OR CONFIGURATION MODIFYING COMPONENTS.

BENDPAK LIFTS ARE SUPPLIED WITH CONCRETE FASTENERS MEETING THE CRITERIA AS PRESCRIBED BY ASTM E488 - 96(2003). LIFT BUYERS ARE RESPONSIBLE FOR ANY SPECIAL REGIONAL STRUCTURAL AND/OR SEISMIC ANCHORING REQUIREMENTS SPECIFIED BY ANY OTHER AGENCIES AND/OR CODES SUCH AS THE UNIFORM BUILDING CODE (UBC) AND/OR INTERNATIONAL BUILDING CODE (IBC).

THE MANUFACTURE, USE, SALE OR IMPORT OF THIS PRODUCT MAY BE SUBJECT TO ONE OR MORE UNITED STATES PATENTS, OR PENDING APPLICATIONS, OWNED BY BENDPAK, INC.  
 DO NOT REMOVE                      ENGINEERED BY BENDPAK INC. USA                      MADE IN CHINA

SIZE: 2.3" L x 4.5" W (58mm x 114mm)

### 2. Vendor Information

Approved Vendor	Vendor Part #	Contact #	Preferred Vendor
1)			



SANTA PAULA, CA USA  
WWW.BENDPAK.COM  
PN 5905940

**LIFT TYPE: SURFACE MOUNT    CAP: MED/HVY DTY    MFG. BPK    SEE DATA PLATE FOR PRODUCT DETAILS**  
**POWER: ELECTRIC/HYDRAULIC    INSTALLATION - SEE OWNERS GUIDE OR CONTACT FACTORY**

SAFETY INSTRUCTIONS: IF ATTACHMENTS, ACCESSORIES OR CONFIGURATION MODIFYING COMPONENTS THAT ARE LOCATED IN THE LOAD PATH, AFFECT OPERATION OF THE LIFT, AFFECT THE LIFT ELECTRICAL LISTING OR AFFECT INTENDED VEHICLE ACCOMMODATION ARE USED ON THIS LIFT AND, IF THEY ARE NOT CERTIFIED FOR USE ON THIS LIFT, THEN THE CERTIFICATION OF THIS LIFT SHALL BECOME NULL AND VOID. CONTACT THE PARTICIPANT FOR INFORMATION PERTAINING TO CERTIFIED ATTACHMENTS, ACCESSORIES OR CONFIGURATION MODIFYING COMPONENTS.

BENDPAK LIFTS ARE SUPPLIED WITH CONCRETE FASTENERS MEETING THE CRITERIA AS PRESCRIBED BY ASTM E488 - 96(2003). LIFT BUYERS ARE RESPONSIBLE FOR ANY SPECIAL REGIONAL STRUCTURAL AND/OR SEISMIC ANCHORING REQUIREMENTS SPECIFIED BY ANY OTHER AGENCIES AND/OR CODES SUCH AS THE UNIFORM BUILDING CODE (UBC) AND/OR INTERNATIONAL BUILDING CODE (IBC).

THE MANUFACTURE, USE, SALE OR IMPORT OF THIS PRODUCT MAY BE SUBJECT TO ONE OR MORE UNITED STATES PATENTS, OR PENDING APPLICATIONS, OWNED BY BENDPAK, INC.

DO NOT REMOVE

ENGINEERED BY BENDPAK INC. USA

MADE IN CHINA

## PART SPECIFICATION FORM

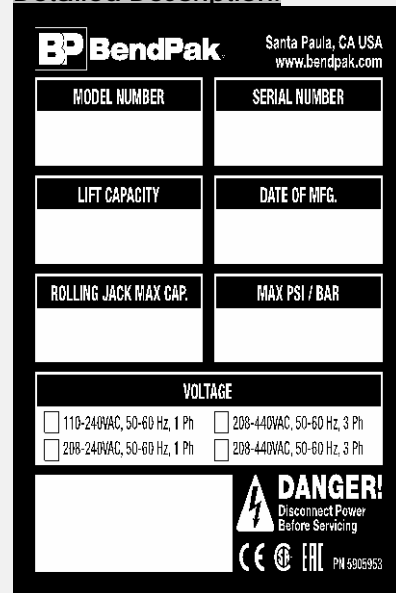
<b>BENDPAK Number:</b>	5905953
<b>MRP Description:</b>	LABEL D (4-POST LIFTS CE)
<b>Date:</b>	12/04/2015
<b>ECO :</b>	00724

### 1. Engineering Specification

**Application:**

DATA SERIAL TAG, 4-POST LIFTS, CE

**Detailed Description:**



**BP BendPak** Santa Paula, CA USA  
www.bendpak.com

<b>MODEL NUMBER</b>	<b>SERIAL NUMBER</b>
<b>LIFT CAPACITY</b>	<b>DATE OF MFG.</b>
<b>ROLLING JACK MAX CAP.</b>	<b>MAX PSI / BAR</b>

**VOLTAGE**

110-240VAC, 50-60 Hz, 1 Ph   
  208-440VAC, 50-60 Hz, 3 Ph  
 208-240VAC, 50-60 Hz, 1 Ph   
  208-440VAC, 50-60 Hz, 3 Ph

**DANGER!**  
Disconnect Power Before Servicing

CE ERE PM 5905953

**SIZE:** 3.38" L x 3.38" W  
(85.7mm x 85.7mm)

### 2. Vendor Information (Or for Reference)

Approved Vendor	Vendor Part #	Contact #	Preferred Vendor
1)			
2)			
<b>OR BENDPAK ENGINEERING APPROVED EQUIVALENT</b>			



Santa Paula, CA USA  
www.bendpak.com

**MODEL NUMBER**

**SERIAL NUMBER**

**LIFT CAPACITY**

**DESCRIPTION**

**ROLLING JACK MAX CAP.**

**MAX PSI / BAR**

**VOLTAGE**

110-240VAC, 50-60 Hz, 1 Ph

380-415VAC, 50-60 Hz, 3 Ph

208-240VAC, 50-60 Hz, 1 Ph

208-440VAC, 50-60 Hz, 3 Ph

**DATE OF MFG.**

**WARRANTY VOID IF DATA PLATE IS REMOVED**



**DANGER!**

Disconnect Power  
Before Servicing



PN 5905953



***2016***  
***CE-Approved***  
***4 Post Lifts***  
***Colors & Graphics***

***4/7/16***

**CONFIDENTIAL INFORMATION.**

You may not disclose, print, copy or disseminate this information.  
Unauthorized use is a violation of federal criminal law.

# 4 Post Lifts Product Decal Positioning



Total of 4

PN 5905311

## BPK Post Branding Decal-Large\_5905311.pdf:

Material: Clear Adhesive PET

Size: 4.25"W x 38"H

Thickness: 4 Mil

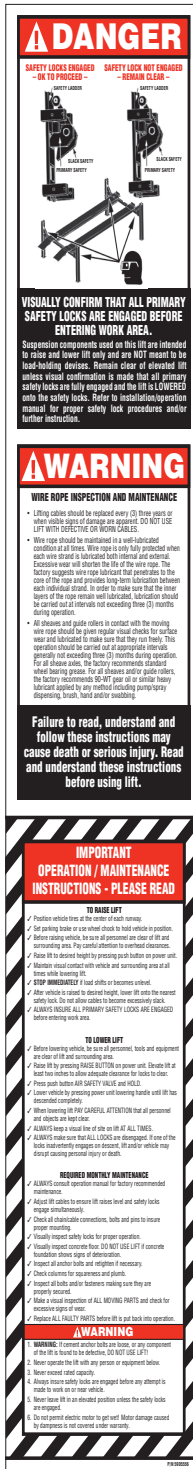
Finish: Polished

Ink: U.V. protected, Opaque White

Print Process: Silk Screen, 85 line-screen (Yellow color in file represents what should be clear PET material and SHOULD NOT print as Yellow ink. White area in file represents Opaque White ink.)

Lamination: Clear-gloss over-laminate for abrasion, chemical, and ultra violet protection

**B**



PN 5905556

## 4\_Post\_Safety\_Decal.pdf:

Size: 4"W x 23"H

Material: White Vinyl Pressure Sensitive Adhesive

Thickness: 4 Mil

Ink: U.V. protected CMYK 2/C Process

Finish: Polished

Print Process: Offset Lithography - 200 line-screen or 300 p.p.i. for digital

Lamination: Clear-gloss over-laminate for abrasion, chemical, and ultra violet protection

**C**



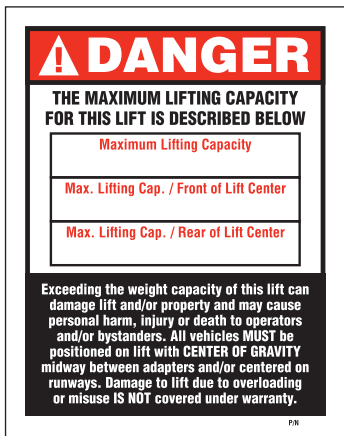
Ali\_4\_Post\_labels.pdf:

(Order Labels from ALI)



# 4 Post Lifts Product Decal Positioning

**\*D**



**\*Max. Cap. Danger.pdf:**

Size: 4"W x 5"H

Material: White Vinyl Pressure Sensitive Adhesive

Thickness: 4 Mil

Ink: U.V. protected CMYK 2/C Process

Finish: Polished

Print Process: Offset Lithography - 200 line-screen or 300 p.p.i. for digital

Lamination: Clear-gloss over-laminate for abrasion, chemical, and ultra violet protection

- P/N 5905401 - Max Cap. Danger 7k
- P/N 5905695 - Max. Cap. Danger 7500
- P/N 5905402 - Max Cap. Danger 9k
- P/N 5905557 - Max. Cap. Danger 14K
- P/N 5905406 - Max Cap. Danger 18k
- P/N 5905407 - Max. Cap. Danger 27K
- P/N 5905408 - Max. Cap. Danger 35K
- P/N 5905409 - Max. Cap. Danger 40K

**\*E**



**\*NRTL Lifting Cap Label .pdf:**

Size: 4.5"W x 3.25"H

Material: White Vinyl Pressure Sensitive Adhesive

Thickness: 4 Mil

Ink: U.V. protected CMYK 2/C Process

Finish: Polished

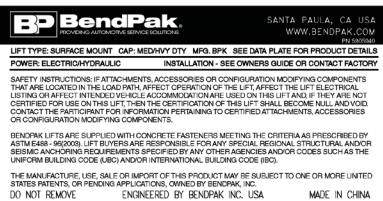
Print Process: Offset Lithography - 200 line-screen or 300 p.p.i. for digital

Lamination: Clear-gloss over-laminate for abrasion, chemical, and ultra violet protection

- P/N 5905645 - NRTL Lifting Cap Label 7K
- P/N 5905700 - NRTL Lifting Cap Label 7500
- P/N 5905650 - NRTL Lifting Cap Label 9k
- P/N 5905665 - NRTL Lifting Cap Label 14k
- P/N 5905675 - NRTL Lifting Cap Label 18k
- P/N 5905680 - NRTL Lifting Cap Label 27k
- P/N 5905685 - NRTL Lifting Cap Label 35K
- P/N 5905690 - NRTL Lifting Cap Label 40K

**\*DEPENDS ON LIFT MODEL AND CAPACITY**

**F**



PN 5905940

**Product Data Label 5905940-New.pdf:**

Size: 4.5"W x 2.3"H

Material: White Vinyl Pressure Sensitive Adhesive

Thickness: 4 Mil

Ink: U.V. protected CMYK 2/C Process

Finish: Polished

Print Process: Offset Lithography - 200 line-screen or 300 p.p.i. for digital

Lamination: Clear-gloss over-laminate for abrasion, chemical, and ultra violet protection

**G**



PN 5905953

**2015 Serial Tag-D-5905953.jpg:**

Size: 3"W x 3"H

Material: Material: 2 Mil. Matte Silver Polyester (Flex-PSE)

Print using thermal transfer printer with resin ribbon

Ink: 1 Color-Black

**H**



PN 5905326

**ALI-Gold-Label-5905326.jpg**

**\*\*FOR ALI APPROVED LIFTS ONLY**

# 4 Post Lifts Product Decal Positioning

**\*\*FOR ALI APPROVED  
LIFTS ONLY**

**D, H, G, F**

**Front of Post  
(Top to Bottom)**

**E, C**

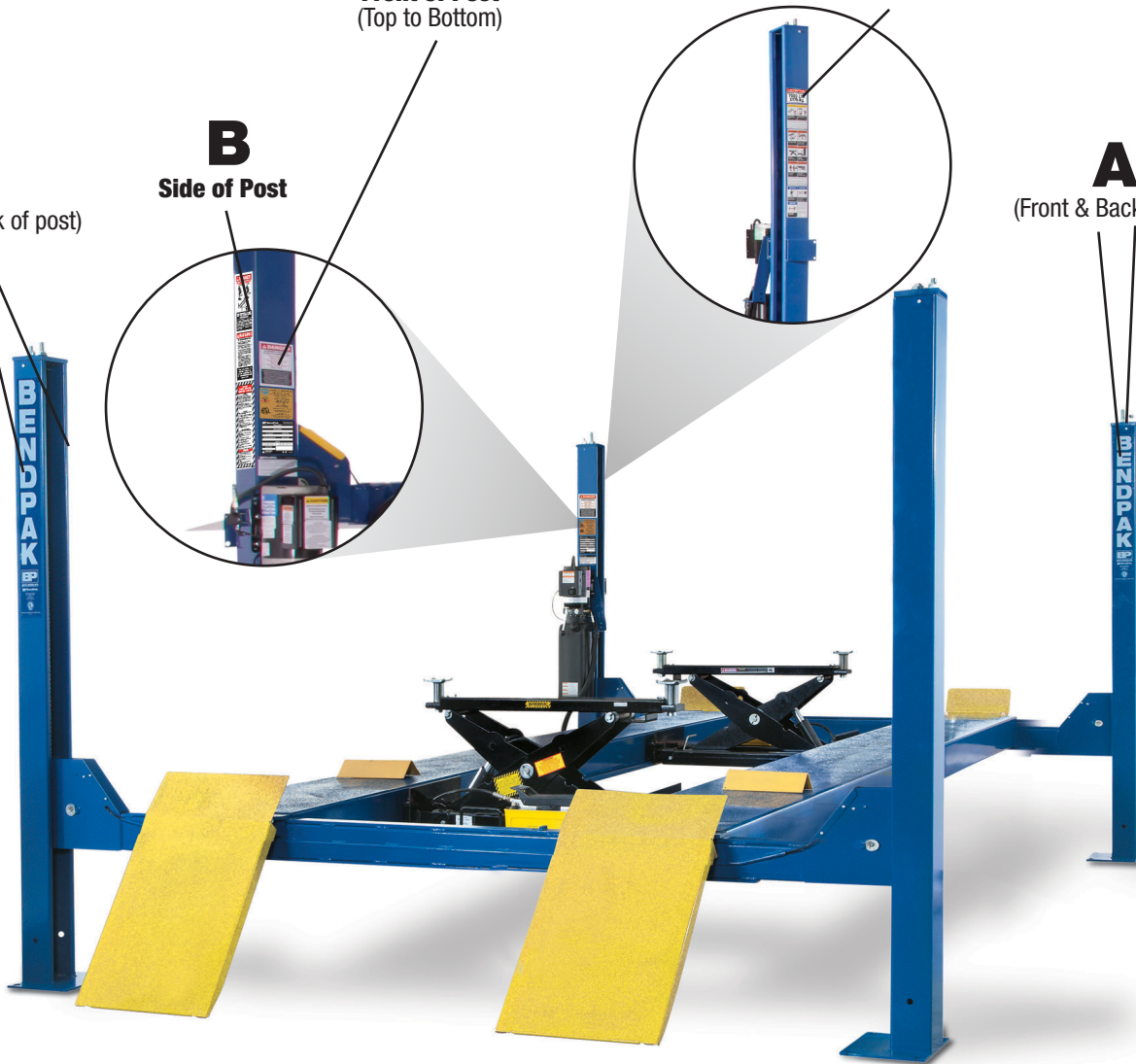
**Back of Post  
(Top to Bottom)**

**Place 1.25" from top of  
Power Unit bracket to  
the bottom of ALI Label.**

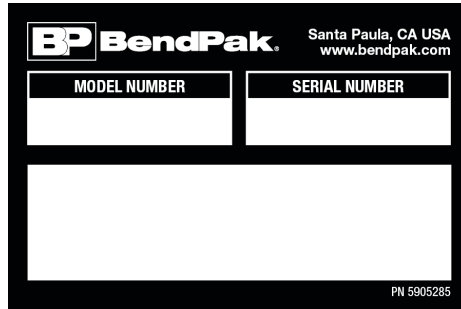
**A**  
(Front & Back of post)

**B**  
Side of Post

**A**  
(Front & Back of post)



# 4 Post Lifts Packaging



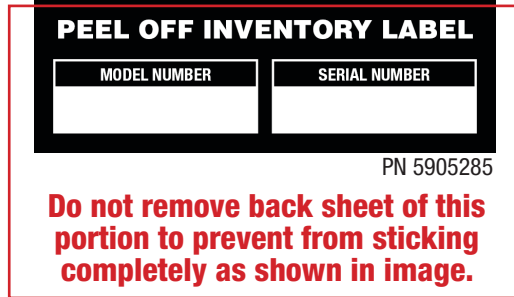
**Serial\_Tag\_New-2015\_Peel\_Off-5905285.jpg:**

Size: 3"W x 3"H

Material: 2 Mil. Matte Silver Polyester (Flex-PSE)

Print using thermal transfer printer with resin ribbon

Ink: 1 Color-Black



MFD. BY BENDPAK INC.

LIFT TYPE: SURFACE MOUNT	CAPACITY: MED/HVY DTY
POWER: ELECTRIC/HYDRAULIC	ANCHORS: AS EQUIPPED

INSTALLATION - SEE OWNERS GUIDE OR CONTACT FACTORY

**SHIPPING DAMAGE CLAIMS**  
WHEN THIS EQUIPMENT IS SHIPPED, TITLE PASSES TO THE PURCHASER UPON RECEIPT FROM THE CARRIER. CONSEQUENTLY, CLAIMS FOR THE MATERIAL DAMAGED IN SHIPMENT MUST BE MADE BY THE PURCHASER AGAINST THE TRANSPORTATION COMPANY AT THE TIME SHIPMENT IS RECEIVED.

**PLEASE READ ALL OPERATORS/USERS MANUAL(S) PRIOR TO INSTALLATION AND OPERATION. UNDERSTAND AND COMPREHEND THE FULL CONTENTS OF EACH MANUAL(S) PRIOR TO INSTALLATION AND OPERATION. DELIVER THE MANUAL(S) TO ALL OPERATORS. FAILURE TO OPERATE THIS EQUIPMENT AS DIRECTED MAY CAUSE INJURY OR DEATH.**

**IMPORTANT NOTE:**  
BENDPAK LIFTS ARE SUPPLIED WITH CONCRETE FASTENERS MEETING THE CRITERIA AS PRESCRIBED BY ASTM E488 - 96(2003). LIFT BUYERS ARE RESPONSIBLE FOR ANY SPECIAL REGIONAL STRUCTURAL AND/OR SEISMIC ANCHORING REQUIREMENTS SPECIFIED BY ANY OTHER AGENCIES AND/OR CODES SUCH AS THE UNIFORM BUILDING CODE (UBC) AND/OR INTERNATIONAL BUILDING CODE (IBC).

INTERNAL BAR CODE - FOR FACTORY AUDIT ONLY 34086

BPK	STYOT	P20KVR	X18576	HVY DTY/ GVR
				832

THE MANUFACTURE, USE, SALE OR IMPORT OF THIS PRODUCT MAY BE SUBJECT TO ONE OR MORE UNITED STATES PATENTS, OR PENDING APPLICATIONS, OWNED BY BENDPAK, INC.

ENGINEERED BY BENDPAK INC USA      MADE IN CHINA

**Manufacturer Packaging Label:**

Size: 5"W x 5"H

Material: White adhesive paper

Ink: U.V. protected CMYK 2/C Process

Print Process: Offset Lithography - 200 line-screen or 300 p.p.i. for digital