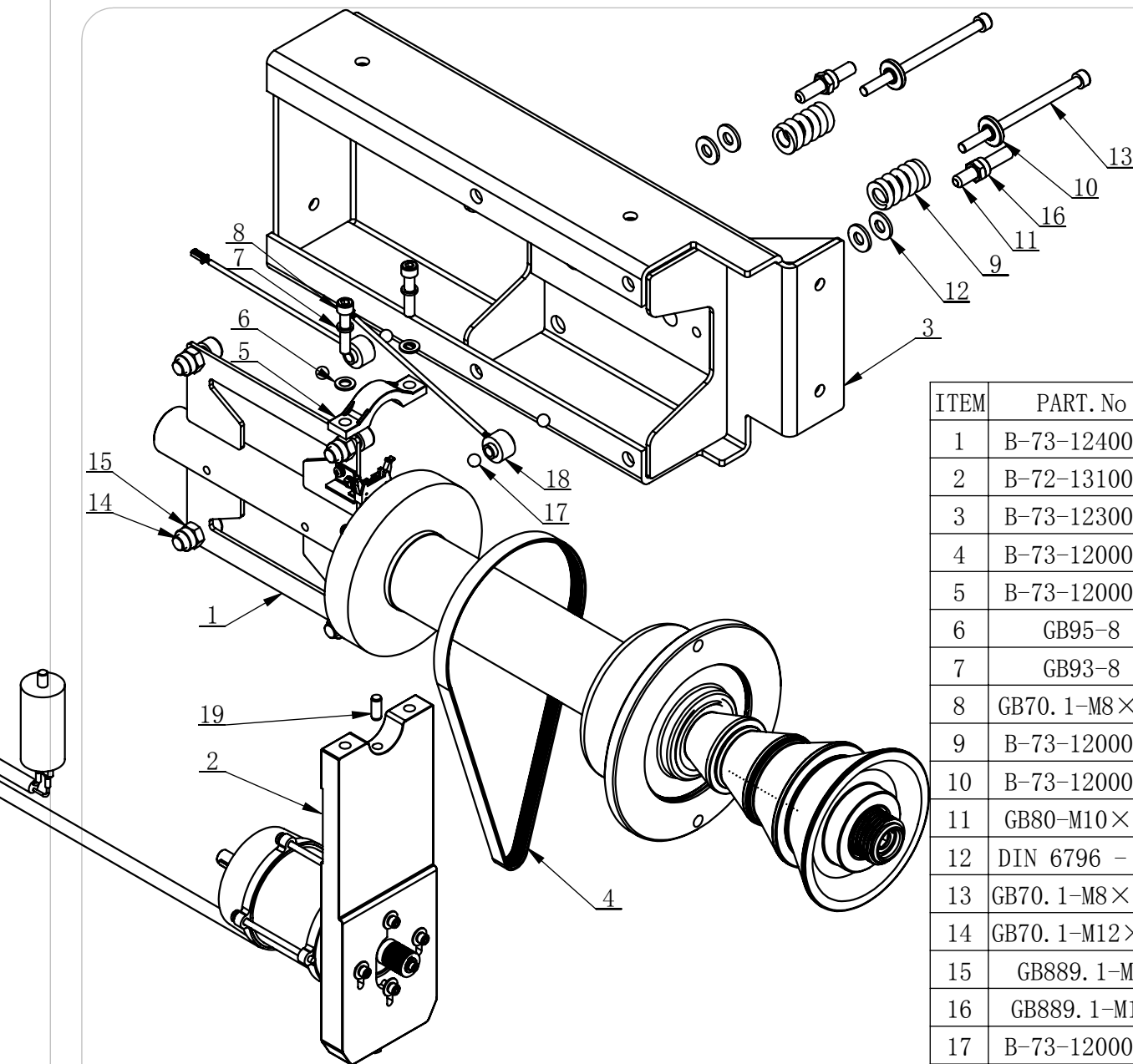
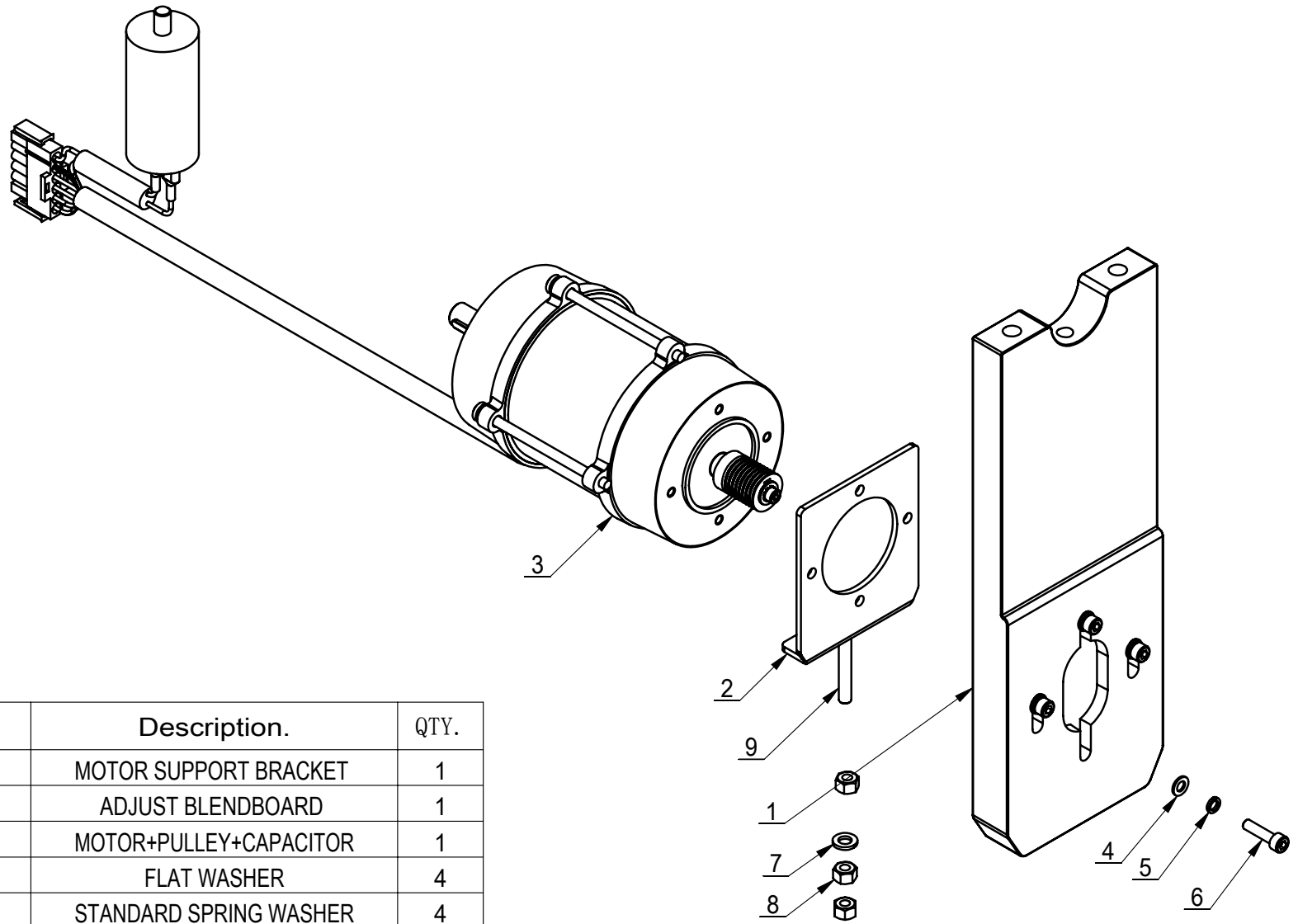


ITEM	PART. No	DESCRIPTION.	QT. Y
1	B-71-1200000	BODY WELDING ASSEMBLY	1
2	B-72-1300000	BALANCER SHAFT ASSEMBLY	1
3	B-71-1100000	MEASUREMENT SCALE ASSEMBLY	1
4	B-73-1400000	DISPLAY COVER ASSEMBLY	1
5	B-73-1000009	SUPPORT BUSHING	2
6	B-73-1510000	PROTECTIVE COVER ROTATION SHAFT WELD	1
7	B-73-1520000	PROTECTIVE COVER ASSEMBLY	1
8	GB70. 2-M12×40	INNER HEXA CYLINDRICAL ROUND HEAD SCREW	1
9	CT-Y-0100003	SPACER	1
10	GB889. 1-M12	1-TYPE PREVAILING TORQUE TYPE HEXAGON LOCK NUT	5
11	B-73-1000001	WEIGHT TRAY	1
12	B-46-1000004	NUT	4
13	TB-S-0100009	CONE HANG HANDLE	4
14	GB70. 1-M6×16	INNER HEXA CYLINDRICAL SCREW	4
15	B-73-1000005	POWER SWITCH	1
16	GB70. 2-M12×30	INNER HEXA CYLINDRICAL ROUND HEAD SCREW	4
17	GB894. 1-26	SHAFT ELATIC BIG RETAINING RING A-TYPE	1
18	B-73-1500002	PROTECTIVE COVER SWITCH B	1
19	B-73-1500001	PROTECTIVE COVER SWITCH A	1
20	GB95-6	FLAT WASHER	1
21	GB93-6	STANDARD SPRING WASHER	1
22	GB818-M6×12-H	CROSS PANHEAD SCREW	1
23	GB70. 1-M10×50	INNER HEXA CYLINDRICAL SCREW	2
24	GB818-M3×10-H	CROSS PANHEAD SCREW	2
25	GB6170-M3	HEXANGULAR NUT 1-TYPE	6
26	GB819. 1-M3×14-H	CROSS COUNTERSUNK SCREW STEEL 4.8 GRADE	4
27	B-73-1500004	SUPPORT PIPE EXTENSION SPRING	1
28	B-73-1500003	SUPPORT PIPE EXTENSION SPRING	1
29	B-73-1000011	ORNAMENT COVER A	1
30	B-73-1000012	ORNAMENT COVER B	1
31	B-73-1400200	Power panel assemblies	1
32	B-68-1000020	POWER CABLE	1
33	B-73-1000100	POWER SUPPLY ADAPTER ASSEMBLY	1
34	B-73-1000006	SIDE PANEL	1
35	GB894. 1-35	SHAFT ELATIC BIG RETAINING RING A-TYPE	2
36	B-73-1000002	SWITCH WIRE	1
37	B-73-1000007	ORNAMENT STOP-UP	2
38	B-73-1000010	GROUND WIRE	1
39	GB95-5	FLAT WASHER	3
40	GB818-M5×16-H	CROSS PANHEAD SCREW	3

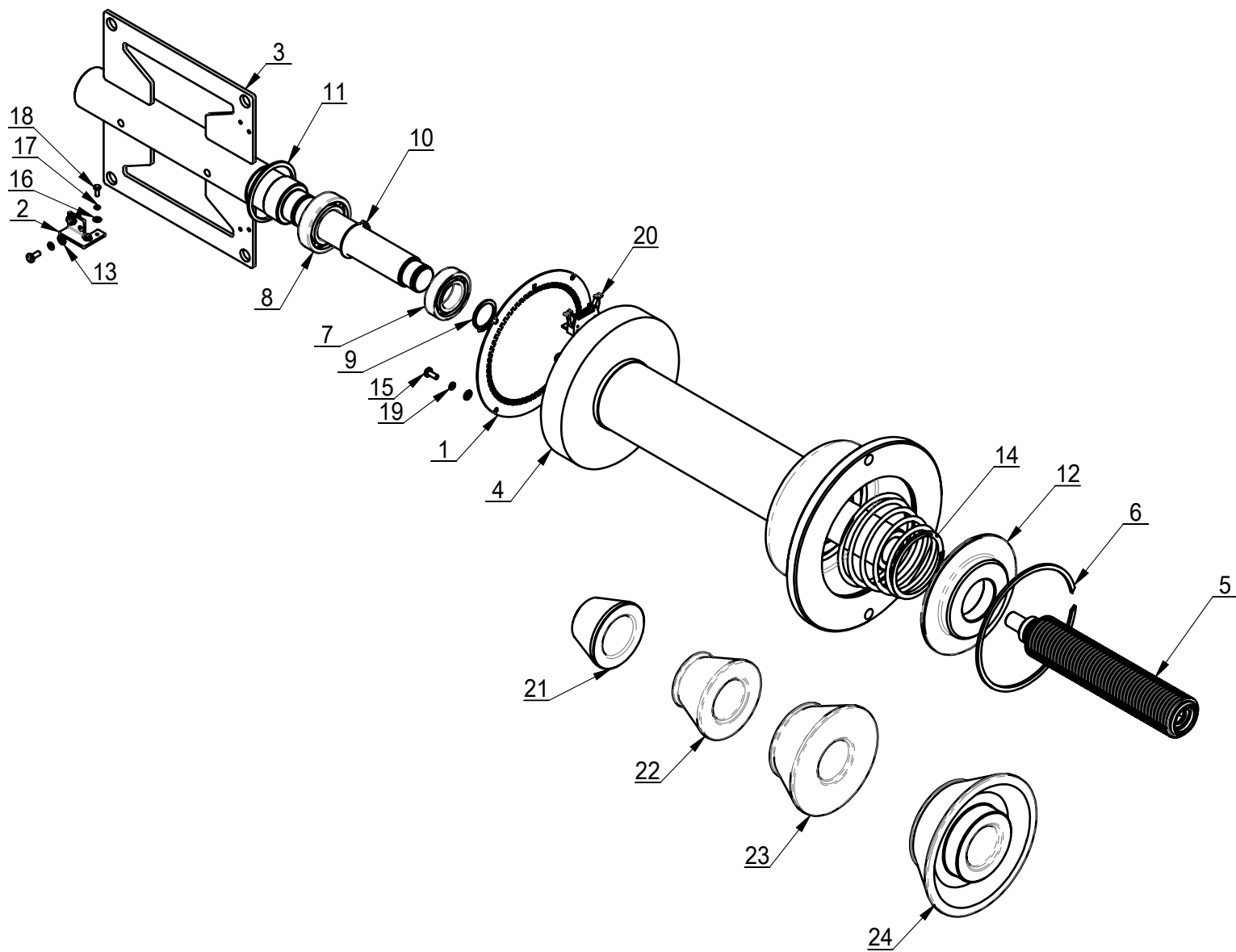
ITEM	PART. No	DESCRIPTION.	QT. Y
41	GB818-M4×10-H	CROSS PANHEAD SCREW	12
42	GB889.1-M10	1-TYPE PREVAILING TORQUE TYPE HEXAGON LOCK NUT	2
43	B-73-1000019	e-rings	1
44	B-73-1000020	FLAT WASHER	2
45	GB93-3	STANDARD SPRING WASHER	6
46	GB95-3	FLAT WASHER	4



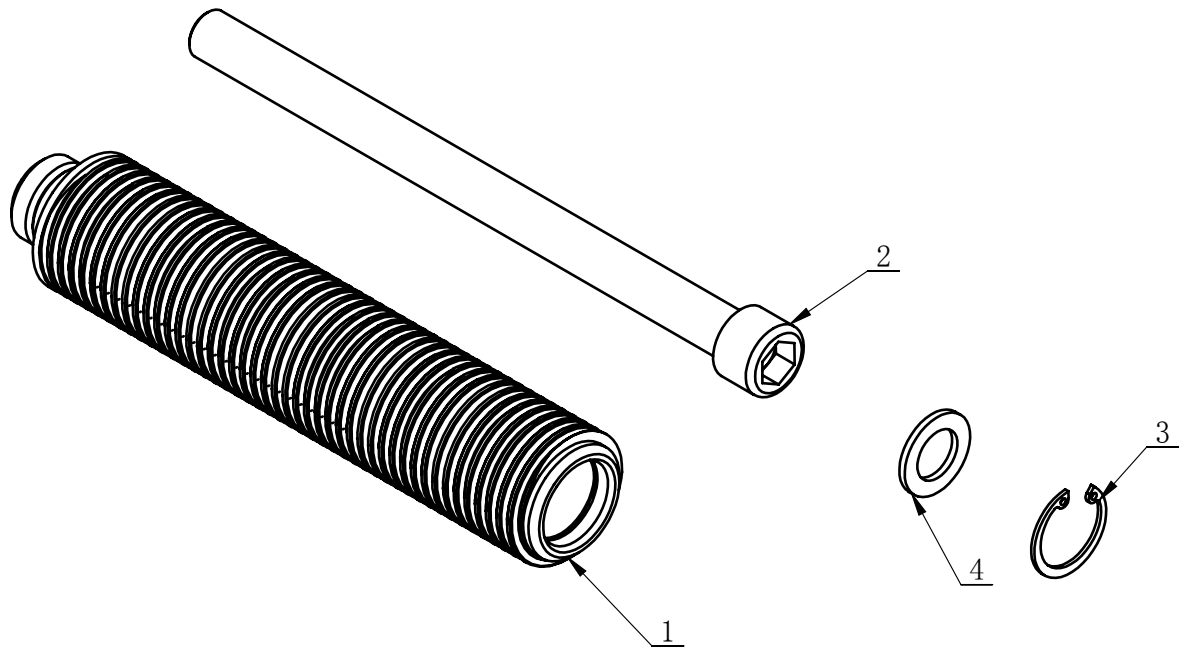
ITEM	PART. No	DESCRIPTION.	QT. Y
1	B-73-1240000	BALANCE SHAFT	1
2	B-72-1310000	MOTOR LIFTING ASSEMBLY	1
3	B-73-1230000	FIXED BRACKET WELD	1
4	B-73-1200001	BELT	1
5	B-73-1200008	LOCK PLATE	1
6	GB95-8	FLAT WASHER	2
7	GB93-8	STANDARD SPRING WASHER	2
8	GB70. 1-M8×40	INNER HEXA CYLINDRICAL SCREW	2
9	B-73-1200007	PRESS SPRING	2
10	B-73-1200006	PRESS WASHER	2
11	GB80-M10×60	INNER HEXA RECESSED TERMINUS SET SCREW	2
12	DIN 6796 - 10	SPRING PIEZO WAHSER	4
13	GB70. 1-M8×130	INNER HEXA CYLINDRICAL SCREW	2
14	GB70. 1-M12×30	INNER HEXA CYLINDRICAL SCREW	4
15	GB889. 1-M12	1-TYPE PREVAILING TORQUE TYPE HEXAGON LOCK NUT	4
16	GB889. 1-M10	1-TYPE PREVAILING TORQUE TYPE HEXAGON LOCK NUT	2
17	B-73-1200004	STAINLESS BEAD	4
18	B-73-1200003	SENSOR ASSEMBLY	2
19	GB119. 2-8×20	CYLINDRICAL PIN	1



ITEM	PART NO.	Description.	QTY.
1	B-73-1220001	MOTOR SUPPORT BRACKET	1
2	B-73-1220002	ADJUST BLENDBOARD	1
3	B-73-1221200	MOTOR+PULLEY+CAPACITOR	1
4	GB95-5	FLAT WASHER	4
5	GB93-5	STANDARD SPRING WASHER	4
6	GB70.1-M5×20	INNER HEXA CYLINDRICAL SCREW	4
7	GB95-6	FLAT WASHER	1
8	GB41-M6	HEXANGULAR NUT	3
9	GB5781-M6×45	HEXANGULAR BOLT	1

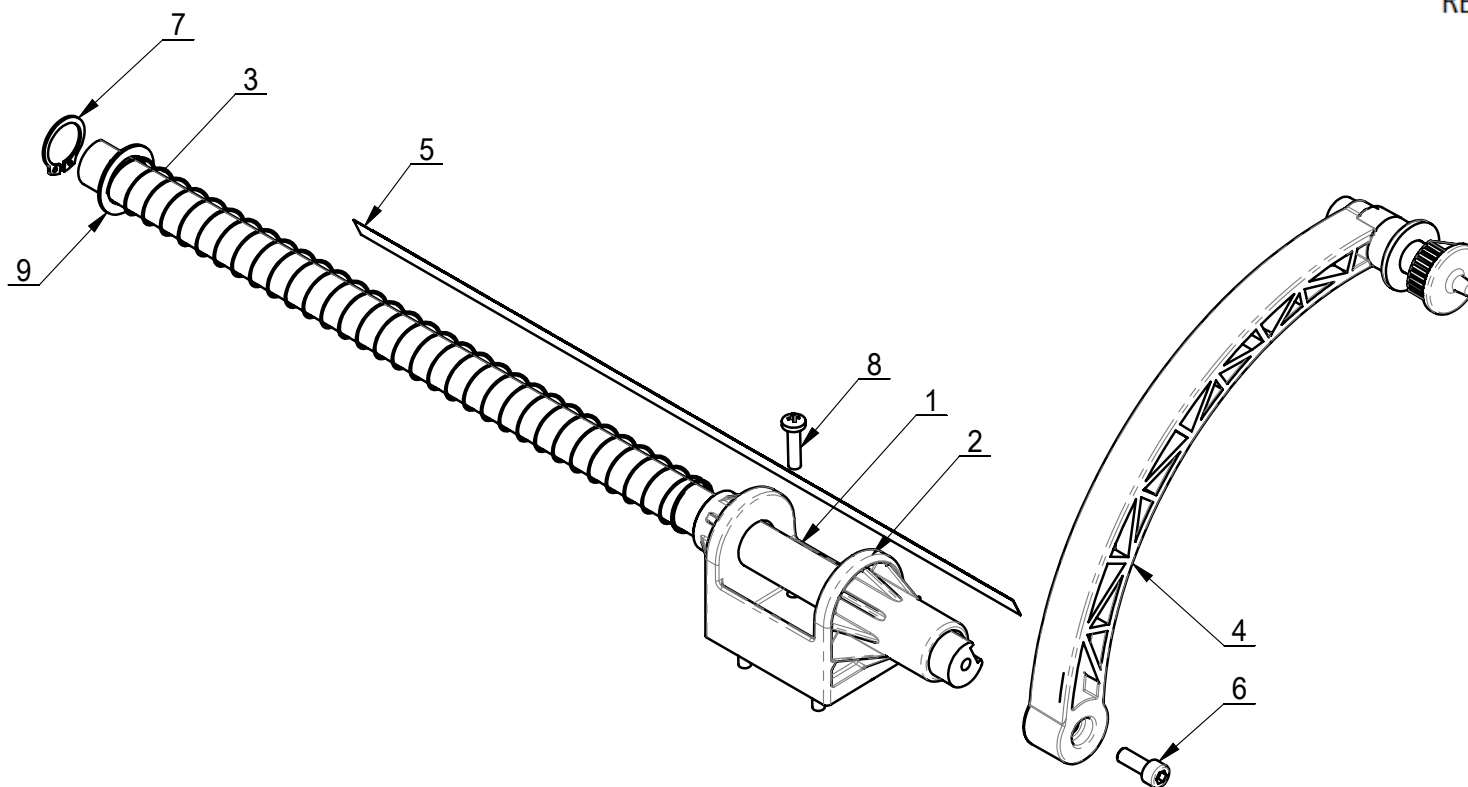


ITEM	PART.No	DESCRIPTION.	QT.Y
1	B-73-1210002	RASTER	1
2	B-73-1210003	ENCODER BOARD BRACKET	1
3	B-73-1211000	FIXING SHAFT WELDING	1
4	B-73-1214000	BALANCE SHAFT PART	1
5	B-73-1215000	BALANCER SPINDLE	1
6	TB-P-0300009	CLAMP RING	1
7	GB276-6005	DEEP GROOVE BALL BEARINGS	1
8	GB276-6006	DEEP GROOVE BALL BEARINGS	1
9	GB894.2-25	SHAFT ELATIC RETAINING RING B-TYPE	1
10	GB894.2-30	SHAFT ELATIC RETAINING RING B-TYPE	1
11	GB893.1-55	ELASTIC RETAINING RING A-TYPE	1
12	TB-P-0300008	SPRING PRESS COVER	1
13	GB95-4	FLAT WASHER	6
14	TB-P-0100009	SPRING	1
15	GB818-M4×10-H	CROSS PANHEAD SCREW	6
16	GB95-3	FLAT WASHER	2
17	GB93-3	STANDARD SPRING WASHER	2
18	GB818-M3×8-H	CROSS PANHEAD SCREW	2
19	GB93-4	STANDARD SPRING WASHER	6
20	B-73-1210001	ENCODER BOARD	1
21	TB-P-0300031	40CONE 42-65	1
22	TB-P-0300032	40CONE 54-78	1
23	TB-P-0300033	40CONE 74-108	1
24	TB-P-0300034	40CONE 89-140	1

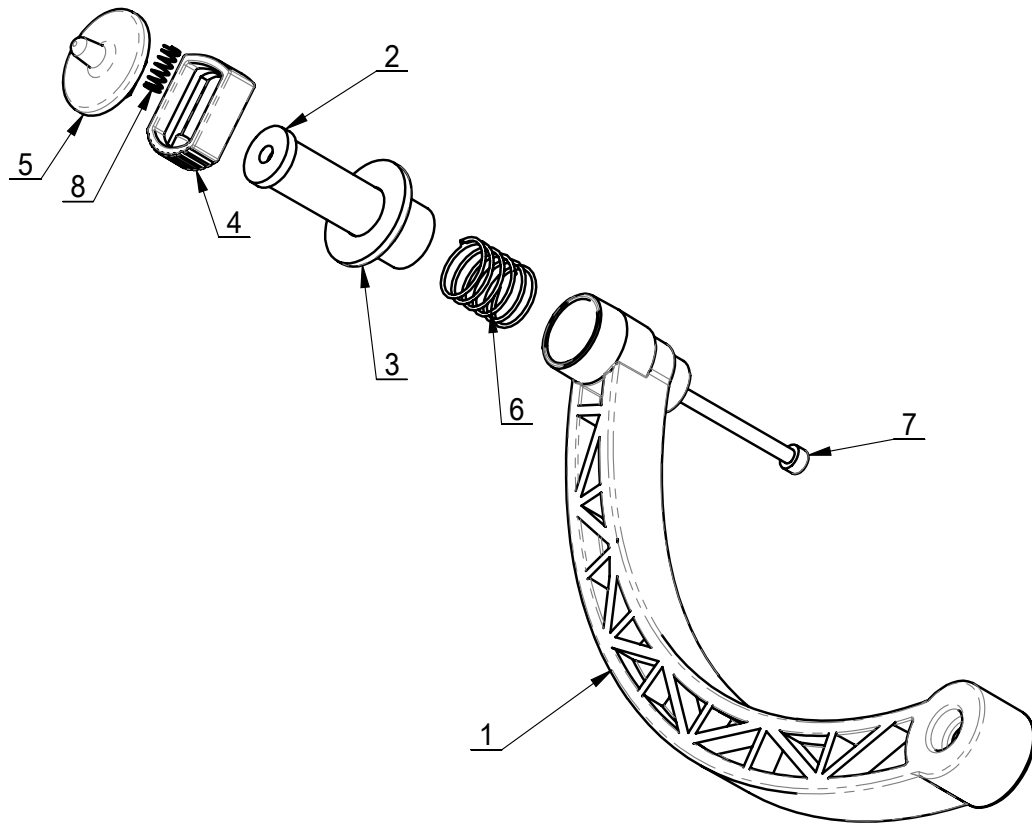


ITEM	PART. No	DESCRIPTION.	QT. Y
1	TB-P-0300035	LEAD SCREW	1
2	GB70. 1-M14×200	INNER HEXA CYLINDRICAL SCREW	1
3	GB893. 1-25	ELASTIC RETAINING RING A-TYPE	1
4	B-73-1213001	WASHER	1

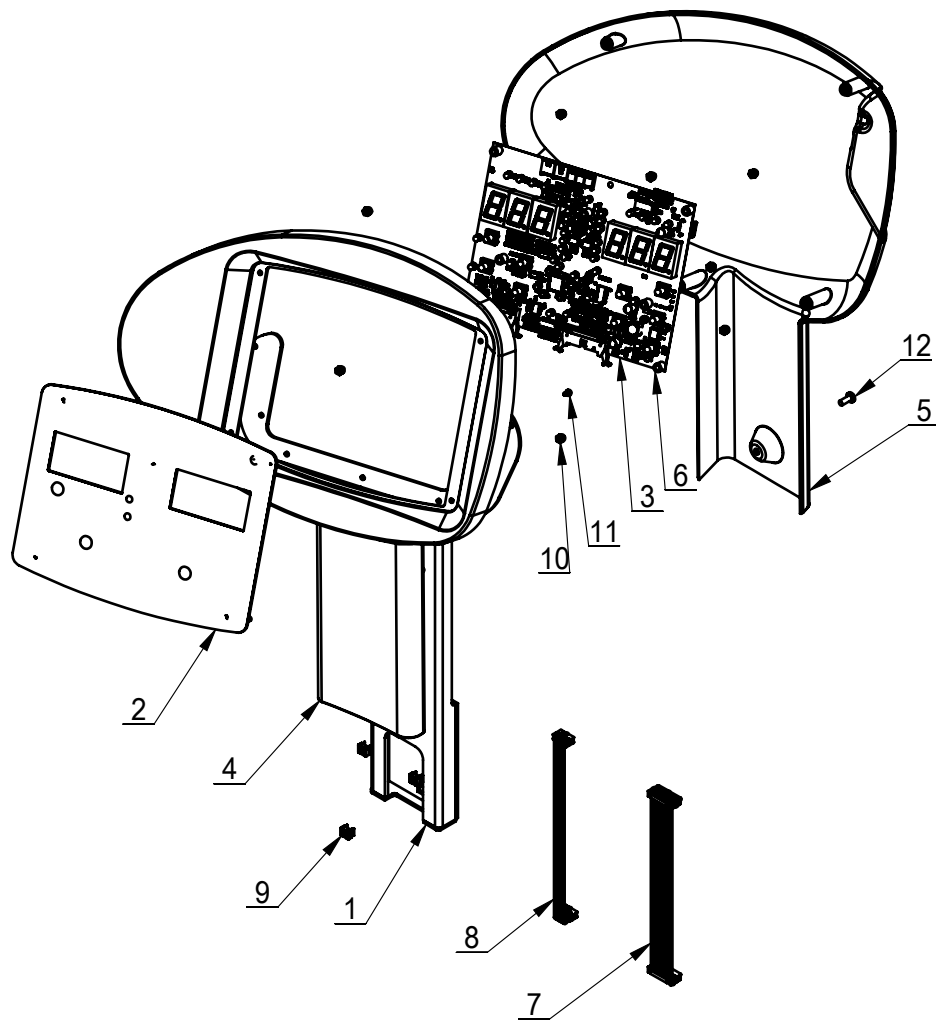




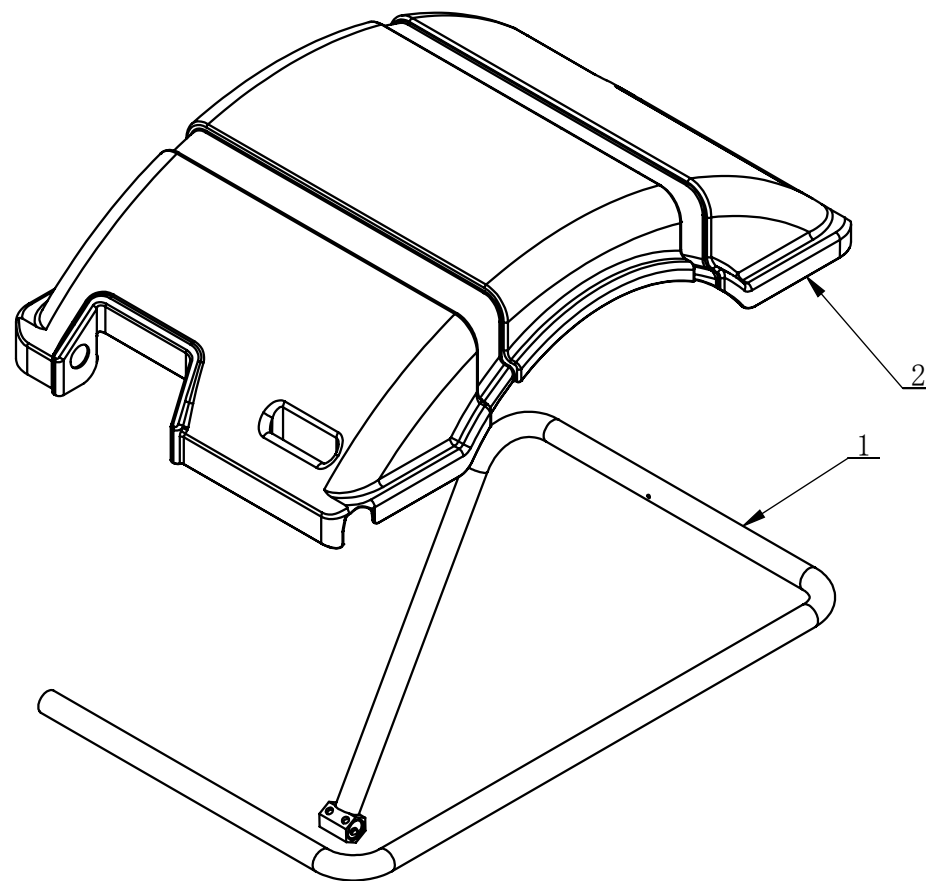
ITEM	PART.No	DESCRIPTION.	QT.Y
1	B-71-1100001	DISTANCE GAUGE ROD	1
2	B-73-1300003	DISTANCE GAUGE FIX BRACKET	1
3	B-73-1300008	DISTANCE GAUGE SPRING	1
4	B-73-1310000	DISTANCE GAUGE HANDLE ASSEMBLY	1
5	B-73-1300010	SCALE	1
6	GB70.1-M6×16	INNER HEXA CYLINDRICAL SCREW	1
7	GB894.1-20	SHAFT ELATIC BIG RETAINING RING A-TYPE	1
8	GB818-M5×20-H	CROSS PANHEAD SCREW	4
9	B-73-1300012	SEPARATION BLADE	1



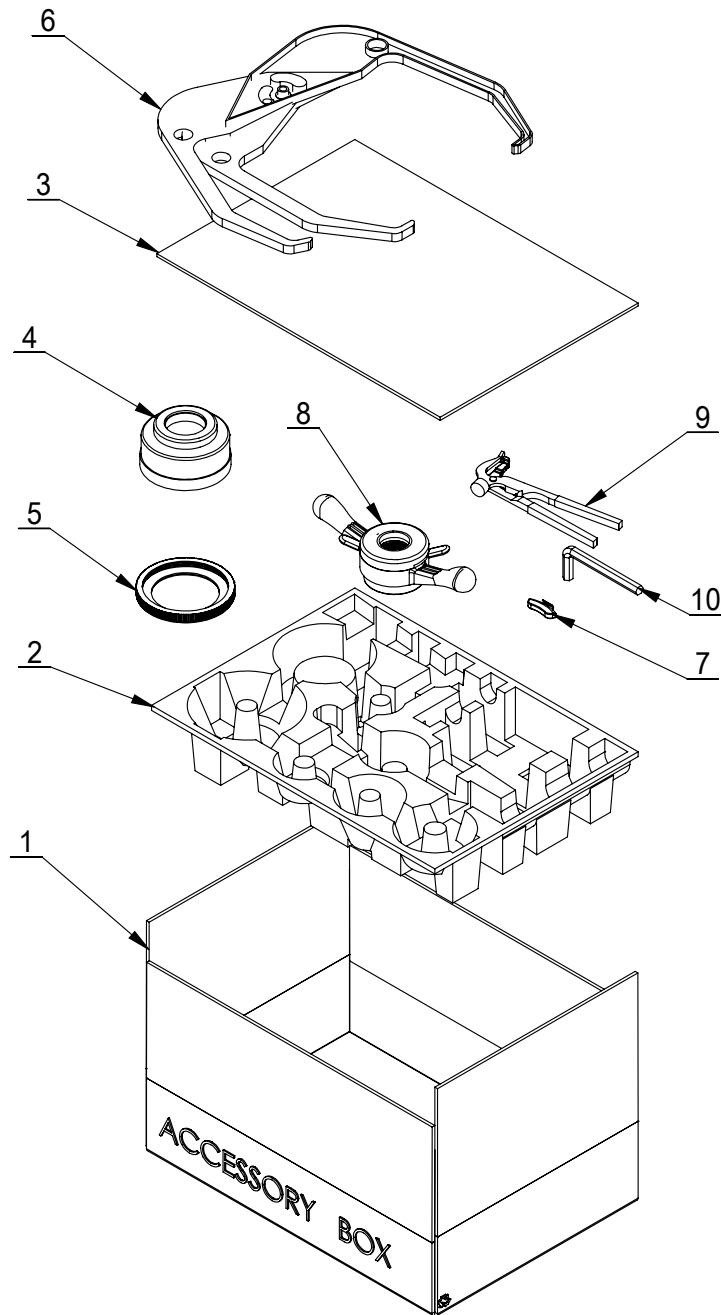
ITEM	PART.No	DESCRIPTION.	QT.Y
1	B-73-1310001	SCALE HANDLE	1
2	B-73-1310002	LONG CONNECT BUSHING	1
3	B-73-1310003	CONNECT BUSHING	1
4	B-73-1310004	TOP BLOCK	1
5	B-73-1310005	SCALE HEAD	1
6	B-73-1310006	SPRING	1
7	GB70.1-M4×55	INNER HEXA CYLINDRICAL SCREW	1
8	B-73-1310007	SREEN FIXTURE SPRING	1



ITEM	PART.No	DESCRIPTION.	QT.Y
1	B-73-1410000	DISPLAY COVER BRACKET WELD	1
2	B-73-1420000	DISPLAY PANEL	1
3	B-73-1400101	MAIN BOARD	1
4	B-73-1400001	DISPLAY FRONT COVER	1
5	B-73-1400002	DISPLAY BACK COVER	1
6	B-73-1400003	BASE ROD	7
7	B-73-1400004	POWER BOARD CABLE	1
8	B-73-1400005	ENCODER BOARD CONNECTION WIRE	1
9	B-73-1000004	CLIP NUT	3
10	GB889.1-M4	1-TYPE PREVAILING TORQUE TYPE HEXAGON LOCK NUT	11
11	GB845-ST2.9×9.5 H C	CROSS PANHEAD TAPPING SCREW	10
12	GB818-M5×12-H	CROSS PANHEAD SCREW	1



ITEM	PART. No	DESCRIPTION.	QT. Y
1	B-73-1521000	PROTECTIVE COVER BEND PIPE	1
2	TB-F-0100003	NEW STYLE HOOD	1



ITEM	PART.No	DESCRIPTION.	QT.Y
1	TB-S-0100006	ACCESSORY BOX	1
2	TB-S-0100007	TRAY	1
3	TB-S-0100008	ACCESSORY SPACE	1
4	TB-S-0100001	BOWL	1
5	TB-S-0100002	BOWL EDGE	1
6	TB-S-0100100	CALIPER ASSEMBLY	1
7	TB-S-0500001	WEIGHT(50g)	1
8	TB-K-0200000	40mm QUICK NUT	1
9	TB-S-0100005	BALANCE HAMMAR	1
10	TB-S-0500002	SPANNER 12mm	1