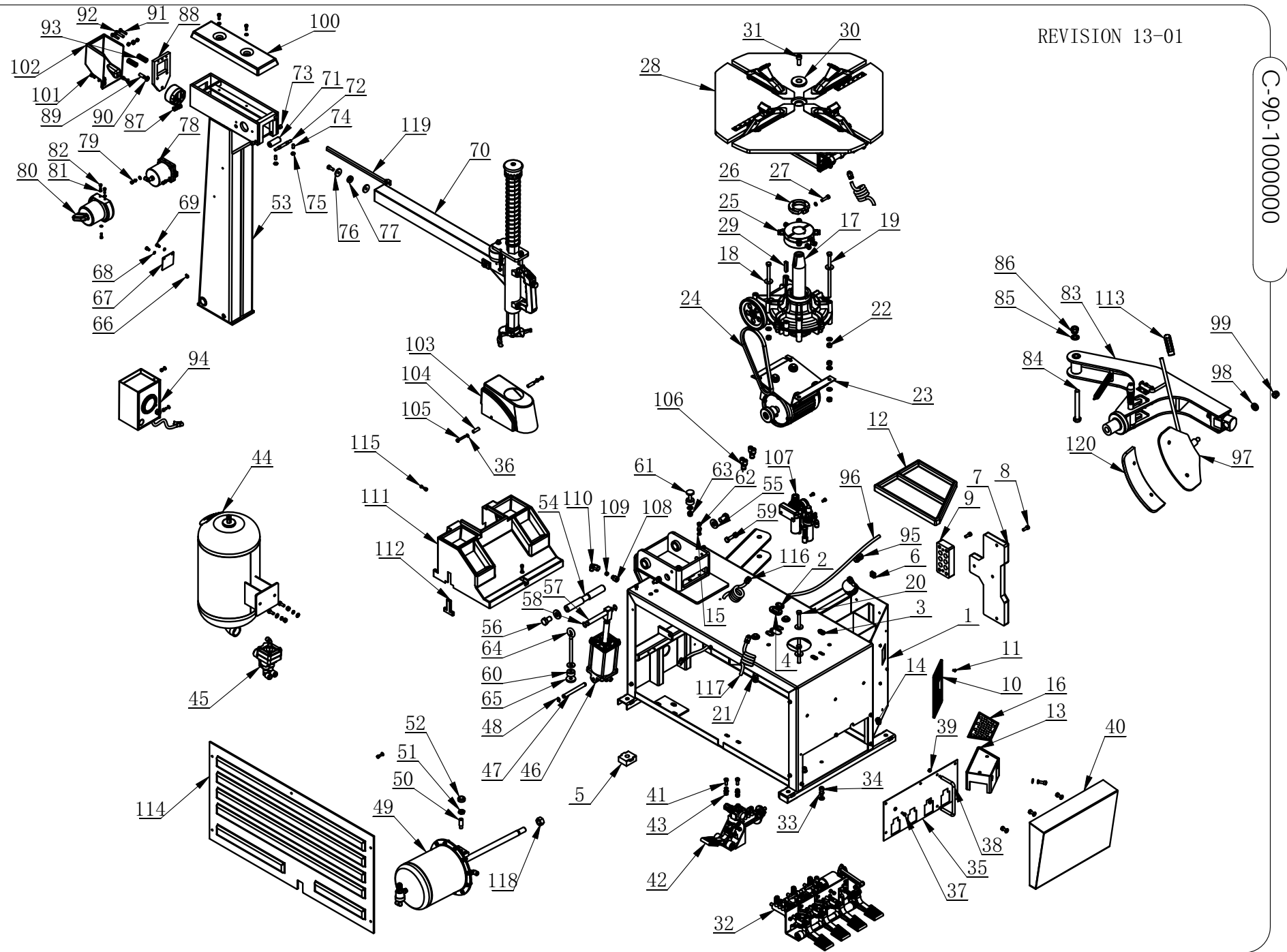


REVISION 13-01

C-90-1000000

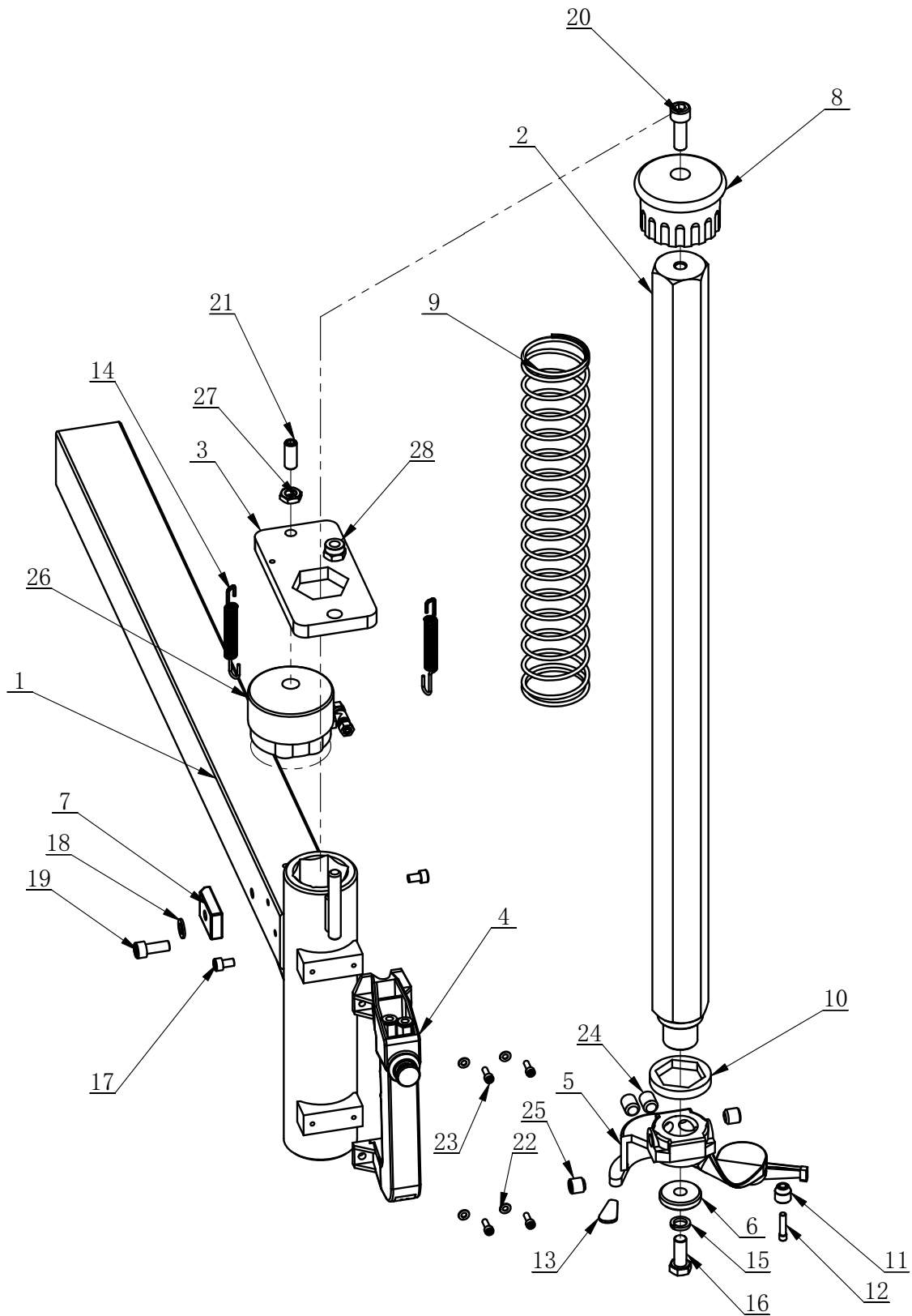


ITEM	PART. NO	DESCRIPTION.	QT. Y
1	C-90-1100000	THE BODY WELDING	1
2	C-54-1000022	PLUG C	2
3	C-54-1000023	PLUG A	2
4	C-54-1000028	PLUG B	1
5	C-54-1000005	RUBBER FOOT	4
6	C-54-1000015	STOP-UP	1
7	C-31-1000010	RUBBER PAD PLATE	1
8	GB70. 1-M8×20	INNER HEXA CYLINDRICAL SCREW	9
9	C-90-1000001	RIM SUPPORT	1
10	C-90-1000004	RUBBER PLATE	1
11	C-90-1000014	CROSS PANHEAD SCREW	4
12	C-90-1000008	PROTECTIVE COVER	1
13	C-90-1500000	WASHER	1
14	GB95-8	FLAT WASHER	9
15	GB93-8	STANDARD SPRING WASHER	9
16	C-90-1000002	WASHER	1
17	CT-J-4100000	GEARBOX ASSEMBLY	1
18	GB96. 2-10	LARGEWASHER C GRADE	7
19	GB5782-M10×200-W8. 8	HEXANGULAR BOLT	4
20	GB5782-M10×160-W8. 8	HEXANGULAR BOLT	2
21	GB95-10	FLAT WASHER	17
22	GB41-M10	HEXANGULAR NUT	16
23	CT-DJ-0334122	MOTOR UNITS INSTALLED	1
24	CT-DJ-0000007	TRIANGLE	1
25	CT-Q-3000000	ROTATING UNION	1
26	CT-Q-6000000	CLAMP RING	1
27	GB70. 1-M8×30	INNER HEXA CYLINDRICAL SCREW	1
28	CT-Y-7100000	TURNTABLE ASSEMBLY	1
29	GB1096-C12×8×45	COMMON FLAT KEY	1
30	C-54-1000012	PRESS COVER	1
31	GB70. 1-M12×30	INNER HEXA CYLINDRICAL SCREW	1
32	CT-D-4200000	PEDAL ASSEMBLY	1
33	GB93-10	STANDARD SPRING WASHER	2
34	GB70. 1-M10×25	INNER HEXA CYLINDRICAL SCREW	2
35	C-90-1000003	PROTECTIVE COVER	1
36	GB95-6	FLAT WASHER	23
37	GB70. 1-M6×12	INNER HEXA CYLINDRICAL SCREW	7
38	C-71-1000005	PROTECTIVE ROD	1
39	GB41-M6	HEXANGULAR NUT	4
40	C-90-1400000	PROTECTIVE COVER	1

ITEM	PART. NO	DESCRIPTION.	QT. Y
41	GB5782-M8×20	HEXANGULAR BOLT	7
42	CT-K-1100000	QUICK INFLATION PEDAL ASSY	1
43	GB41-M8	HEXANGULAR NUT	7
44	CT-K-4200000	STORAGE TANKS ASSEMBLY	1
45	CT-K-2200000	QUICK EXHAUST VALVE ASSEMBLY	1
46	CT-XD-2000000	PULL-OUT CYLINDER D80X80	1
47	C-71-1000006	PIN SHAFT	1
48	GB894. 1-12	SHAFT ELATIC BIG RETAINING RING A-TYPE	2
49	CT-LS-3100000	BEAD BREAKER CYLINDER ASSEMBLY	1
50	C-54-1000010	SCREWS M14X42	2
51	GB6172. 1-M14	HEXANGULAR THIN NUT	2
52	C-54-1000013	SEALED COVER	1
53	C-90-1200000	COLUMN WELDING ASSY	1
54	C-90-1000009	BOTTOM ROTATION SHAFT	1
55	C-71-1000010	WASHER	2
56	GB5782-M16×25-W8. 8	HEXANGULAR BOLT	2
57	C-90-1000010	PULL-OUT SHAFT	1
58	GB894. 1-16	SHAFT ELATIC BIG RETAINING RING A-TYPE	2
59	C-90-1000012	POSITION BOLT	2
60	C-71-1000013	WASHER Φ30xΦ10x15	2
61	C-90-1000011	BUMPER LOCK BOLT	1
62	GB5782-M8×35	HEXANGULAR BOLT	2
63	GB889. 1-M10	1-TYPE PREVAILING TORQUE TYPE HEXAGON LOCK NUT	2
64	C-71-1000008	CONNECTION ROD	1
65	C-71-1000028	WASHER	1
66	TC-10-8400006	OIL CUP M6	1
67	C-80-1000010	BLOCK PLATE	1
68	GB93-6	STANDARD SPRING WASHER	4
69	GB70. 1-M6×10	INNER HEXA CYLINDRICAL SCREW	4
70	C-90-1300000	PUSH AND PULL ARM COMPONENTS	1
71	C-77-1000001	ROTATING SPACER	1
72	C-77-1000002	SUPPORT SHAFT	1
73	GB77-M12×12	INNER HEXA FLAT TERMINUS SET SCREW	2
74	GB77-M8×16	INNER HEXA FLAT TERMINUS SET SCREW	2
75	GB6172. 1-M8	HEXANGULAR THIN NUT	2
76	C-77-1000003	CUSHION	2
77	C-77-1000004	RUBBER WASHER	1
78	C-90-1600000	HORIZONTAL LOCK CYLINDER	1
79	GB70. 1-M6×20	INNER HEXA CYLINDRICAL SCREW	10
80	C-90-1000007	PROTECTIVE COVER	1

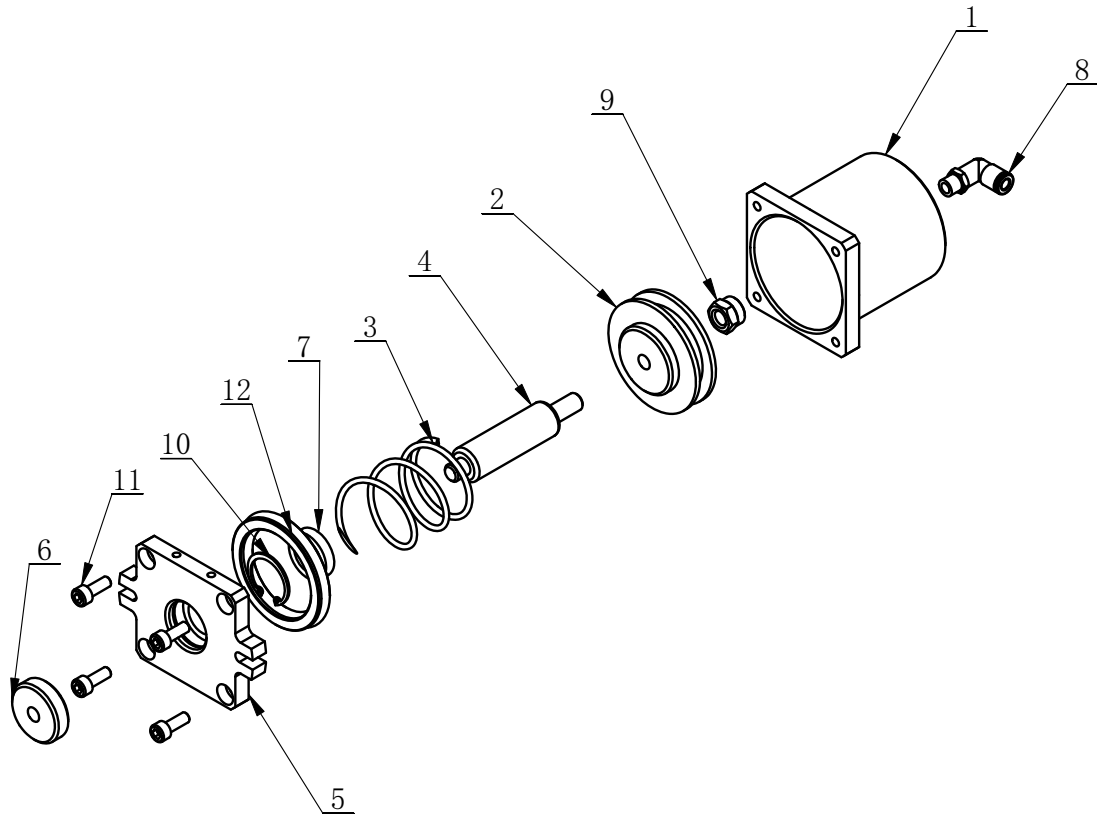
ITEM	PART. NO	DESCRIPTION.	QT. Y
81	GB95-5	FLAT WASHER	5
82	GB70. 1-M5×16	INNER HEXA CYLINDRICAL SCREW	3
83	CT-B-1000000	BEAD BREAKER	1
84	GB5782-M16×130	HEXANGULAR BOLT	1
85	GB95-16	FLAT WASHER	1
86	GB889. 1-M16	1-TYPE PREVAILING TORQUE TYPE HEXAGON LOCK NUT	1
87	C-90-1700000	LOCKING CYLINDER ASSY	1
88	C-77-1400000	QUADRIC LOCK PLATE WELDING	1
89	C-71-1000029	INNER HEXA FLAT TERMINUS SET SCREW	1
90	GB6173-M10×1. 0	HEXA THIN NUT	1
91	GB5782-M6×30	HEXANGULAR BOLT	2
92	GB5781-M8×35	HEXANGULAR BOLT	1
93	C-71-1000018	PRESS SPRING	2
94	CT-K-3100000	INFLATOR COVER ASSEMBLY	1
95	C-54-1000017	CABLE CONNECTOR	1
96	C-54-1000030	CABLE	1
97	CT-C-1100000	ON THE BEAD WELDING	1
98	GB955-14	WAVE-FORM SPRING WASHER	1
99	GB889. 1-M14	1-TYPE PREVAILING TORQUE TYPE HEXAGON LOCK NUT	1
100	C-77-1000007	PROTECTIVE COVER	1
101	GB70. 1-M6×16	INNER HEXA CYLINDRICAL SCREW	4
102	C-77-1000008	PROTECTIVE COVER	1
103	C-80-1000007	PROTECTION COVER	1
104	C-77-1000006	PROTECTIVE HOOD LOCK BUSHING	2
105	GB818-M6×40-H	CROSS PANHEAD SCREW	2
106	FPY-8	Y-SHAPE INSERT FITTING Φ8	2
107	CT-F-1121300	AIR REGULATOR	1
108	FPC 8-02	MALE STRAIGHT	1
109	C-54-1000027	JOINT SEALING GASKET	1
110	FPLF 8-02	FEMALE ELBOW	1
111	C-90-1000005	PROTECTIVE COVER	1
112	C-54-1000020	T-PLUG	1
113	TC-40-1200022	RUBBER COVER	1
114	C-90-1000006	SIDE PANEL	1
115	GB5782-M5×16-8. 8	HEXANGULAR BOLT	1
116	FPC 10-01	MALE STRAIGHT	4
117	C-54-1000029	PU SPIRAL TUBE	4
118	GB6171- M18×1. 5	NUT THIN TOOTH	1
119	C-77-1000009	AIR HOSE CHUTE	1
120	C-90-1000013	SHENZHEN SET	1

PUSH AND PULL ARM COMPONENTS C-90-1300000



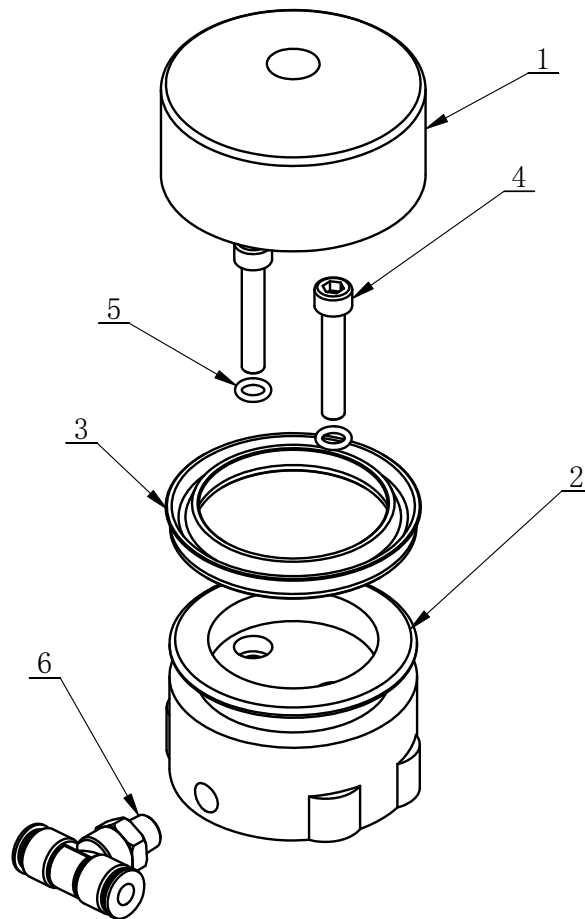
ITEM	PART. No	DESCRIPTION.	QT. Y
1	C-77-1310000	HORIZONTAL ARM WELDING	1
2	C-90-1300001	HEXANGULAR SHAFT	1
3	C-77-1300004	HEXANGULAR LOCK PLATE	1
4	C-71-1330000	HANDLE CONTROLLING VALVE	1
5	C-54-1300004	DEMOUNTING HEAD	1
6	C-54-1300008	PRESS WASHER	1
7	C-71-1300005	POSITIONING BLOCK	1
8	C-54-1300003	VERTICAL SHAFT COVER	1
9	C-90-1300002	VERTICAL SHAFT SPRING	1
10	C-54-1300007	SHOCK ABSORBER WASHER	1
11	C-54-1300009	ROLLER	1
12	C-54-1300006	ROLLER BOLT	1
13	C-54-8000007	PLASTIC COVER	1
14	C-71-1300004	SPRING	2
15	GB93-10	STANDARD SPRING WASHER	1
16	GB5783-M10×25-W8.8	HEXANGULAR BOLT	1
17	GB70.1-M6×10	INNER HEXA CYLINDRICAL SCREW	2
18	GB95-8	FLAT WASHER	1
19	GB70.1-M8×20	INNER HEXA CYLINDRICAL SCREW	1
20	GB70.1-M10×30	INNER HEXA CYLINDRICAL SCREW	1
21	C-71-1000029	INNER HEXA FLAT TERMINUS SET SCREW	1
22	GB95-4	FLAT WASHER	4
23	GB70.1-M4×12	INNER HEXA CYLINDRICAL SCREW	4
24	GB77-M12×16	INNER HEXA FLAT TERMINUS SET SCREW	2
25	GB77-M12×12	INNER HEXA FLAT TERMINUS SET SCREW	2
26	C-71-1320000	LOCKING CYLINDER ASSY	1
27	GB6173-M10×1.0	HEXA THIN NUT	1
28	GB889.1-M10	1-TYPE PREVAILING TORQUE TYPE HEXAGON LOCK NUT	1

## 6010030 HORIZONTAL LOCK CYLINDER C-90-1600000



ITEM	PART. No	DESCRIPTION.	QT. Y
1	C-90-1600001	CYLINDER BODY	1
2	C-90-1600003	PISTON	1
3	C-90-1600004	PRESS SPRING	1
4	C-90-1600005	PISTON ROD	1
5	C-90-1600002	CYLINDER COVER	1
6	C-90-1600006	WASHER	1
7	C-90-1600007	RING $\Phi 28 \times \Phi 20 \times 6$	1
8	FPL 6-01	MALE ELBOW	1
9	GB889. 1-M10	1-TYPE PREVAILING TORQUE TYPE HEXAGON LOCK NUT	1
10	GB893. 1-28	ELASTIC RETAINING RING A-TYPE	1
11	GB70. 1-M6 $\times$ 16	INNER HEXA CYLINDRICAL SCREW	4
12	C-71-1320003	Y-RING	1

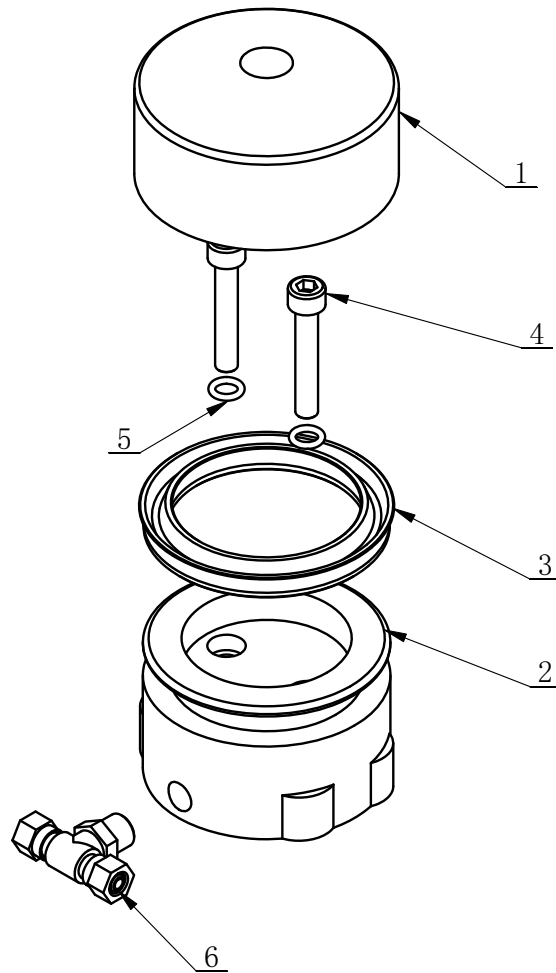
## LOCKING CYLINDER ASSY C-90-1700000



ITEM	PART. No	DESCRIPTION.	QT. Y
1	C-71-1320001	LOCK TURNTABLE CYLINDER HEAD	1
2	C-71-1320002	LOCK CYLINDER BODY	1
3	C-71-1320003	Y-RING	1
4	GB70. 1-M6×35	SCREW M6X35	2
5	GB3452. 1-6×1. 8-G	HYDRAULIC-PNEUMATIC RUBBER O-RING G TYPE	2
6	FBP 6-01	MALE BRANCH TEE	1

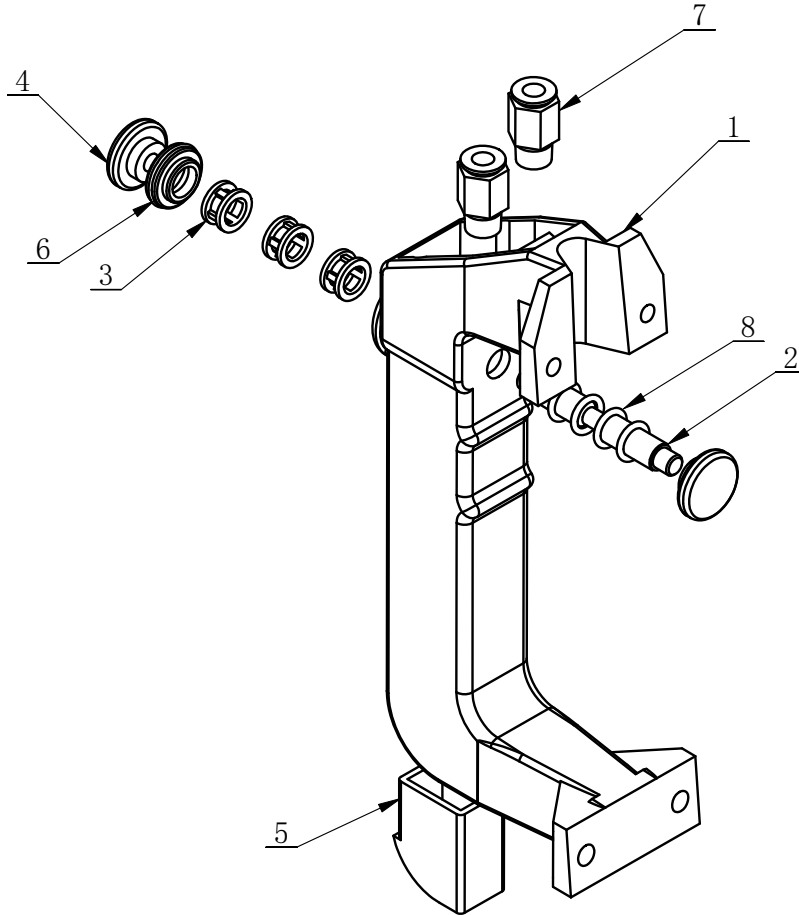


## LOCKING CYLINDER ASSY C-71-1320000



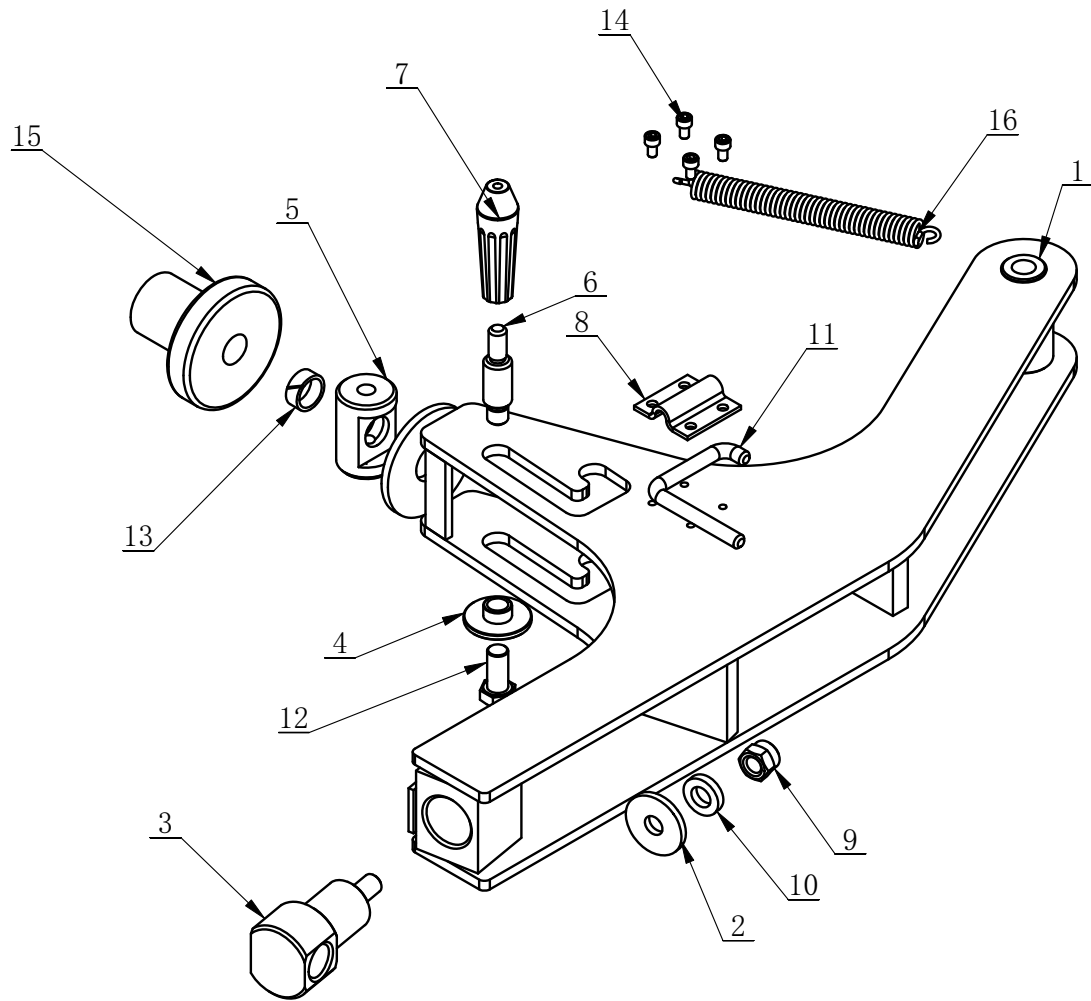
ITEM	PART. No	DESCRIPTION.	QT. Y
1	C-71-1320001	LOCK TURNTABLE CYLINDER HEAD	1
2	C-71-1320002	LOCK CYLINDER BODY	1
3	C-71-1320003	Y-RING	1
4	GB70. 1-M6 × 35	SCREW M6X35	2
5	GB3452. 1-6 × 1.8-G	HYDRAULIC-PNEUMATIC RUBBER O-RING G TYPE	2
6	PBS 6-01	MALE BRANCH TEE NUT	1

## HANDLE CONTROLLING VALVE C-71-1330000



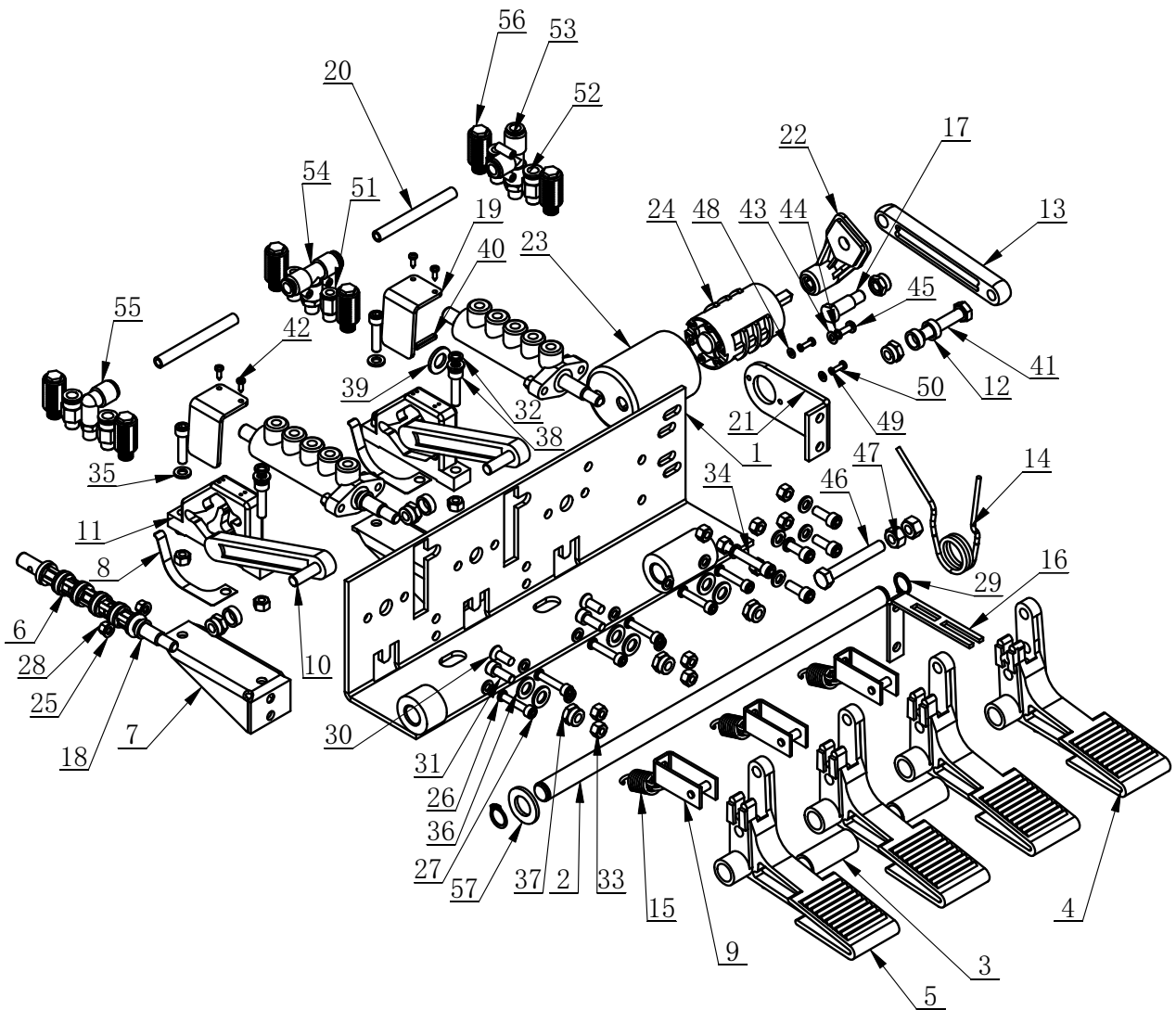
ITEM	PART. No	DESCRIPTION.	QT. Y
1	C-71-1330001	HANDLE CONTROL VALVE	1
2	C-71-1330002	VALVE ROD	1
3	C-71-1330003	VALVE SPACER	3
4	C-71-1330004	FRONT COVER	2
5	C-71-1330005	REAR COVER	1
6	C-71-1330006	FRONT SEALING COVER	1
7	FPC 6-01	MALE STRAIGHT	2
8	GB3452. 1-8×1. 8-G	HYDRAULIC-PNEUMATIC RUBBER O-RING	4

## BEAD BREAKER CT-B-1000000



ITEM	PART. No	DESCRIPTION.	QT. Y
1	CT-B-1100000	BEAD BREAKER	1
2	CT-B-1000002	WASHER	1
3	CT-B-1000001	CONNECTION SHAFT	1
4	CT-B-1000004	FIXTURE SPACER	1
5	CT-B-1000003	SLIDE SPACER	1
6	CT-B-1000005	HANDLE	1
7	CT-B-1000011	HANDLE COVER	1
8	CT-B-1000007	FIXTURE BRACKET	1
9	GB889. 1-M14	1-TYPE PREVAILING TORQUE TYPE HEXAGON LOCK NUT	1
10	GB955-14	WAVE-FORM SPRING WASHER	1
11	CT-B-1000006	BLOCK HANDLE	1
12	GB5781-M14×30	HEXANGULAR BOLT	1
13	CT-B-2000001	SLIDE SPACER	1
14	GB70. 1-M6×10	INNER HEXA CYLINDRICAL SCREW	4
15	CT-B-1200000	RUBBER COVER	1
16	CT-B-1000008	SPRING	1

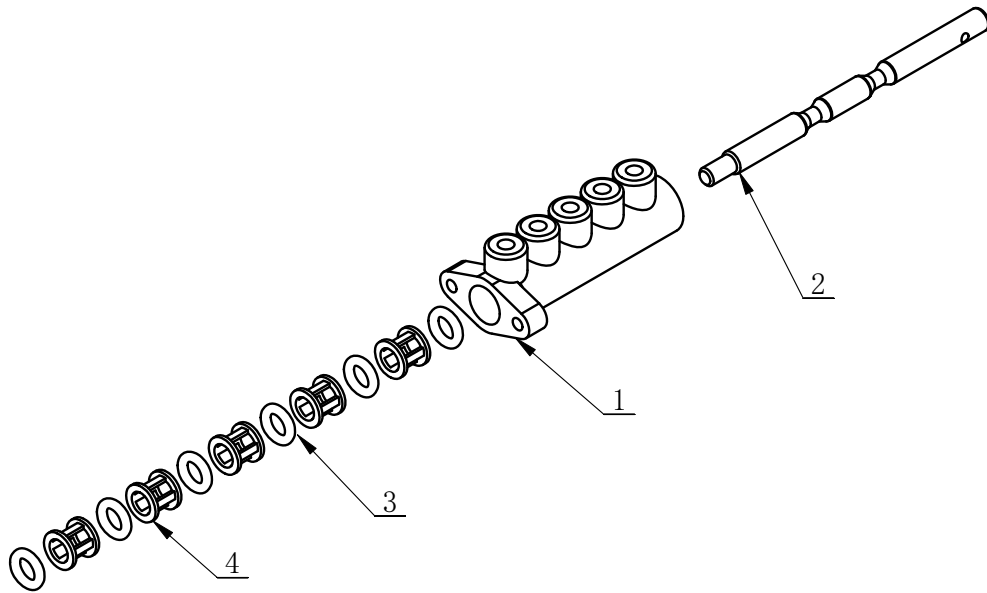
PEDAL ASSEMBLY CT-D-4800000



ITEM	PART. NO	DESCRIPTION.	QT. Y
1	CT-D-4110000	PEDAL SUPPORT WELDING	1
2	CT-D-4100001	BOTTOM SHAFT	1
3	CT-D-2100001	SPACER	2
4	CT-D-2100006	PEDAL	1
5	CT-D-2100007	PEDAL	3
6	CT-D-2140000	VALVE	3
7	CT-D-2120000	CAM BRACKET WELDING	2
8	CT-D-2100004	SPRING PLATE	2
9	CT-D-2130000	BRACKET RIVETING	3
10	CT-D-1100008	CAM CONNECTING ROD	2
11	CT-D-1100009	CAM	2
12	CT-D-2100005	SPACER	4
13	CT-D-2100011	CONNECTION ROD	1
14	CT-D-2100002	TORSION SPRING	1
15	CT-D-2100003	SPRING	3
16	CT-D-2100010	TORSION SPRING BRACKET	1
17	CT-D-2100012	ROTATION SHAFT	1
18	CT-D-1100016	SPACER	2
19	CT-D-1100011	CAM BAFFLE PLATE	2
20	CT-D-2100013	HOSE	2
21	CT-D-2100008	SWITCH SUPPORT	1
22	CT-D-1100010	REVERSE LEVER	1
23	CT-D-1100014	SWITCH COVER	1
24	CT-D-1100018	SWITCH	1
25	GB95-5	FLAT WASHER	12
26	GB93-5	STANDARD SPRING WASHER	6
27	GB70. 1-M5×25	INNER HEXA CYLINDRICAL SCREW	6
28	GB41-M5	HEXANGULAR NUT	6
29	GB894. 1-14	SHAFT ELATIC BIG RETAINING RING A-TYPE	2
30	GB819. 1-M6×16-H	CROSS COUNTERSUNK SCREW STEEL 4. 8 GRADE	2
31	GB70. 1-M6×16	INNER HEXA CYLINDRICAL SCREW	6
32	GB93-6	STANDARD SPRING WASHER	11
33	GB41-M6	HEXANGULAR NUT	14
34	GB70. 1-M6×40	INNER HEXA CYLINDRICAL SCREW	1
35	GB95-6	FLAT WASHER	8
36	GB95-8	FLAT WASHER	6
37	GB889. 1-M8	1-TYPE PREVAILING TORQUE TYPE HEXAGON LOCK NUT	7
38	GB70. 1-M6×25	INNER HEXA CYLINDRICAL SCREW	4
39	GB95-10	FLAT WASHER	1
40	GB879. 1-4×20	ELASTIC CYLINDRICAL PIN, HEAVY	1

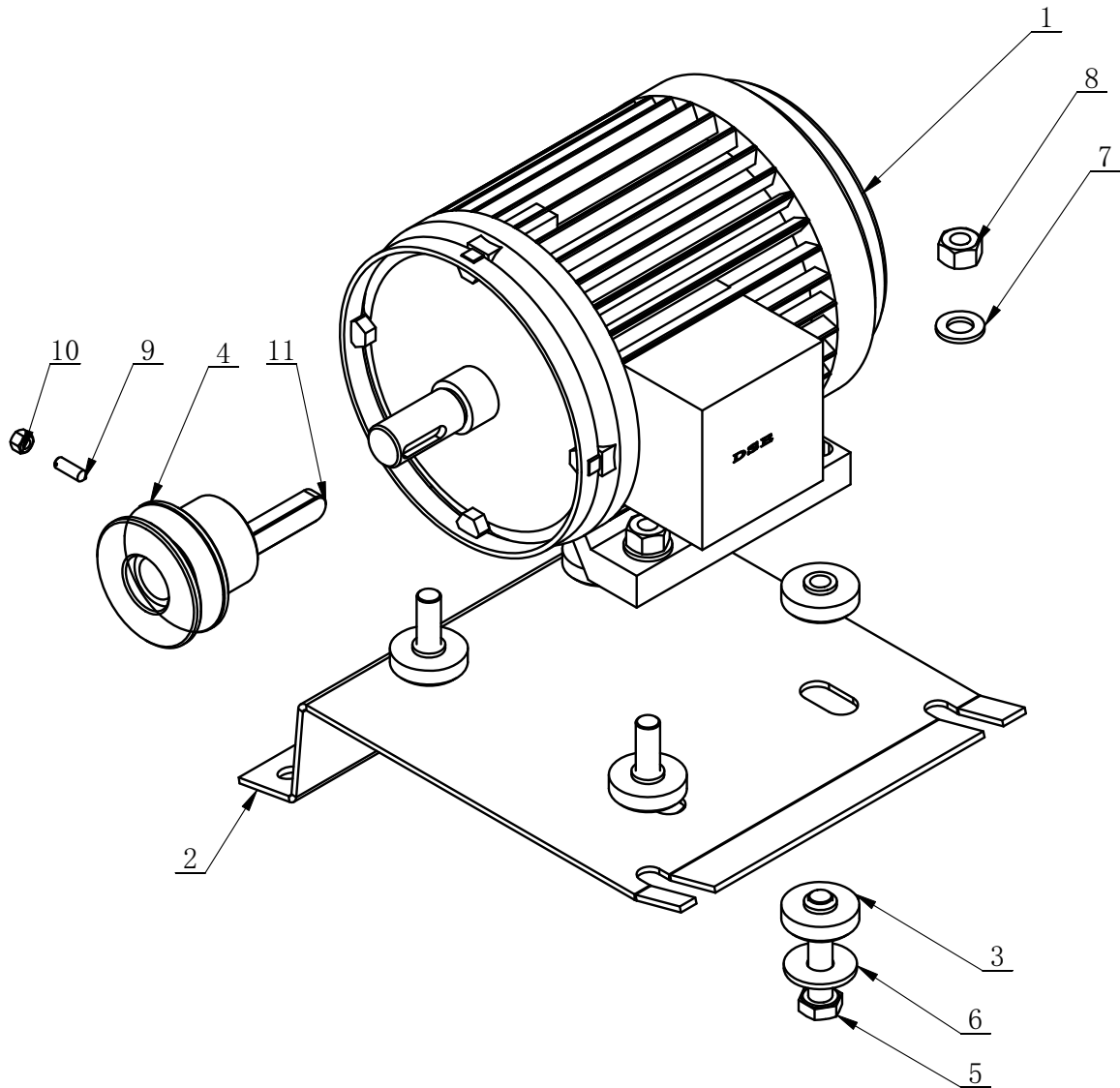
ITEM	PART. NO	DESCRIPTION.	QT. Y
41	GB5781-M8×40	HEXANGULAR BOLT	1
42	GB845-ST2.9×9.5 H C	CROSS PANHEAD TAPPING SCREW	4
43	GB95-4	FLAT WASHER	1
44	GB93-4	STANDARD SPRING WASHER	1
45	GB818-M4×12-H	CROSS PANHEAD SCREW	1
46	GB5782-M8×55	HEXANGULAR BOLT	1
47	GB41-M8	HEXANGULAR NUT	2
48	GB95-3	FLAT WASHER	2
49	GB93-3	STANDARD SPRING WASHER	2
50	GB818-M3×10-H	CROSS PANHEAD SCREW	2
51	FPC 8-01	MALE STRAIGHT	2
52	FPC 8-01	MALE STRAIGHT	4
53	FPD 8-01	MALE RUN TEE	1
54	FPB 8-01	MALE BRANCH TEE	1
55	FPL 8-01	INSERT ELBOW $\Phi 8$ , R1/8	1
56	FSK 01	PLASTIC PARTICLE SILENCER	6
57	GB95-14	FLAT WASHER	2

VALVE CT-D-2140000



ITEM	PART. NO	DESCRIPTION.	QT. Y
1	CT-D-2140002	VALVE BODY	1
2	CT-D-2140001	VALVE STEM	1
3	CT-D-1110003	O-RING	6
4	CT-D-1110004	SPACER	5

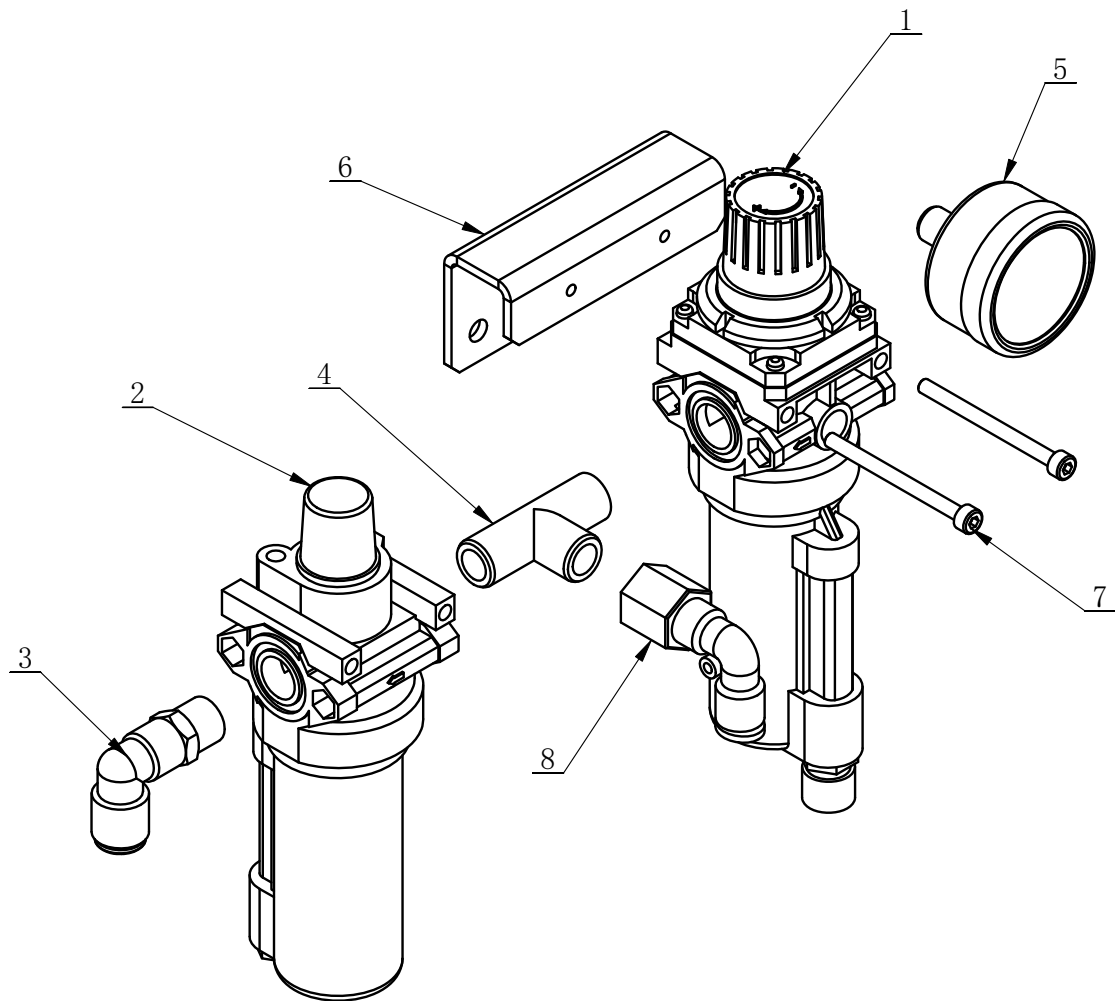
## CT-DJ-0334122 MOTOR UNITS INSTALLED



ITEM	PART. No	DESCRIPTION.	QT. Y
1	CT-DJ-0034122	THE MOTOR	1
2	CT-DJ-0000001	MOTOR SUPPORT	1
3	CT-DJ-0000002	RUBBER WASHER	8
4	CT-DJ-0000004	MOTOR BELT PULLEY	1
5	GB5781-M10×50	HEXANGULAR BOLT	4
6	GB96. 2-10	LARGEWASHER C GRADE	4
7	GB95-10	FLAT WASHER	4
8	GB41-M10	HEXANGULAR NUT	4
9	GB71-M5×16	SLOTTED CONIC HEAD SET SCREW	1
10	GB41-M5	HEXANGULAR NUT	1
11	GB1096-C12×8×45	COMMON FLAT KEY	1



## AIR REGULATOR CT-F-1121300

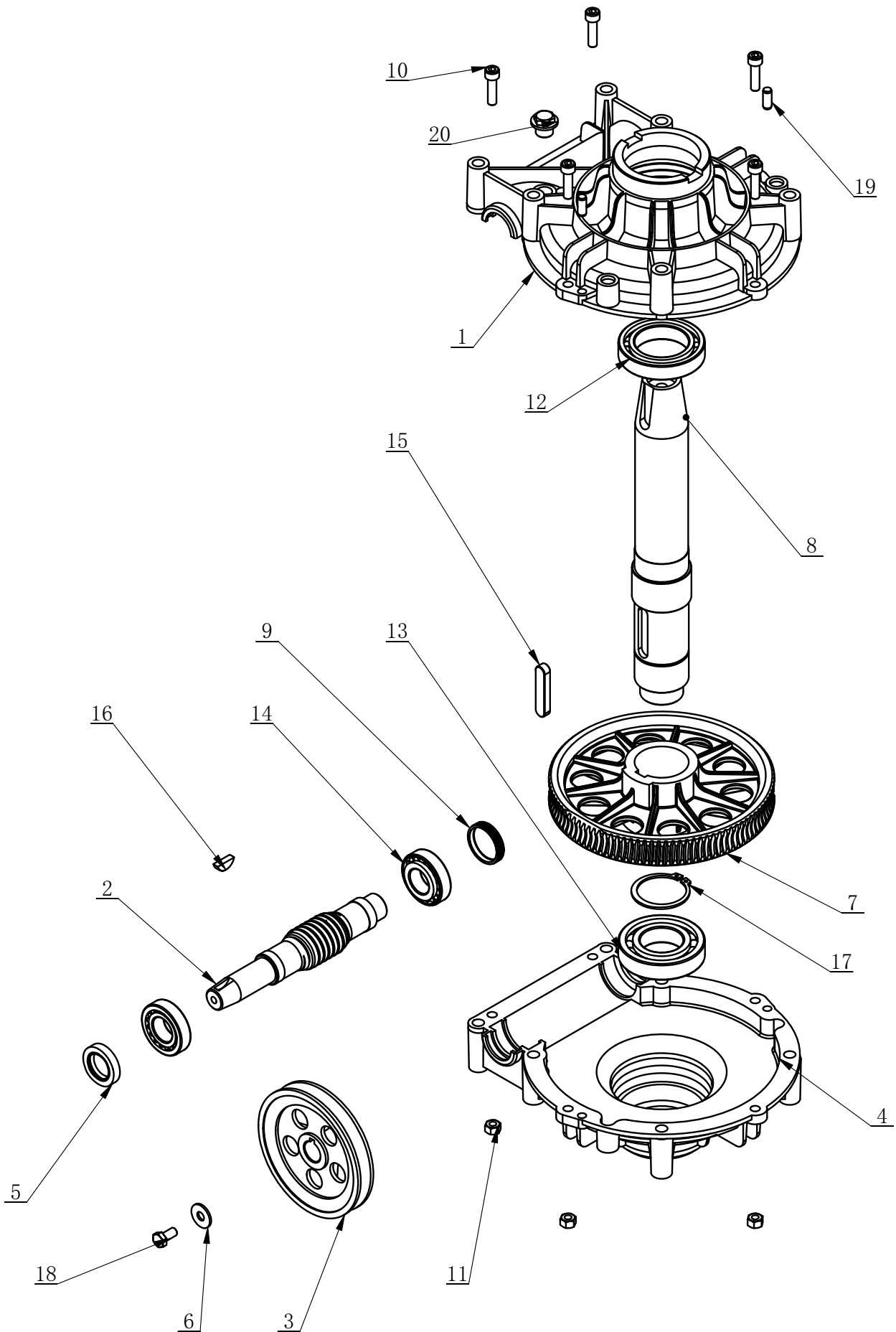


ITEM	PART. No	DESCRIPTION.	QT. Y
1	CT-F-1000010	PRESSURE ADJUST VALVE AND WATER CUP	1
2	CT-F-1000020	OIL CUP	1
3	FPL 8-02	INSERT ELBOW $\Phi 8, R1/4$	1
4	PEH 02-02	FAMALE UNION TEE	1
5	CT-F-1000003	PRESSURE GAUGE	1
6	CT-F-1000030	AIR REGULATOR BRACKET	1
7	CT-F-1000001	INNER HEXA CYLINDRICAL SCREW	2
8	FPLF8-02	INSERT ELBOW $\phi 8, R1/4$	1

C-90-0000000

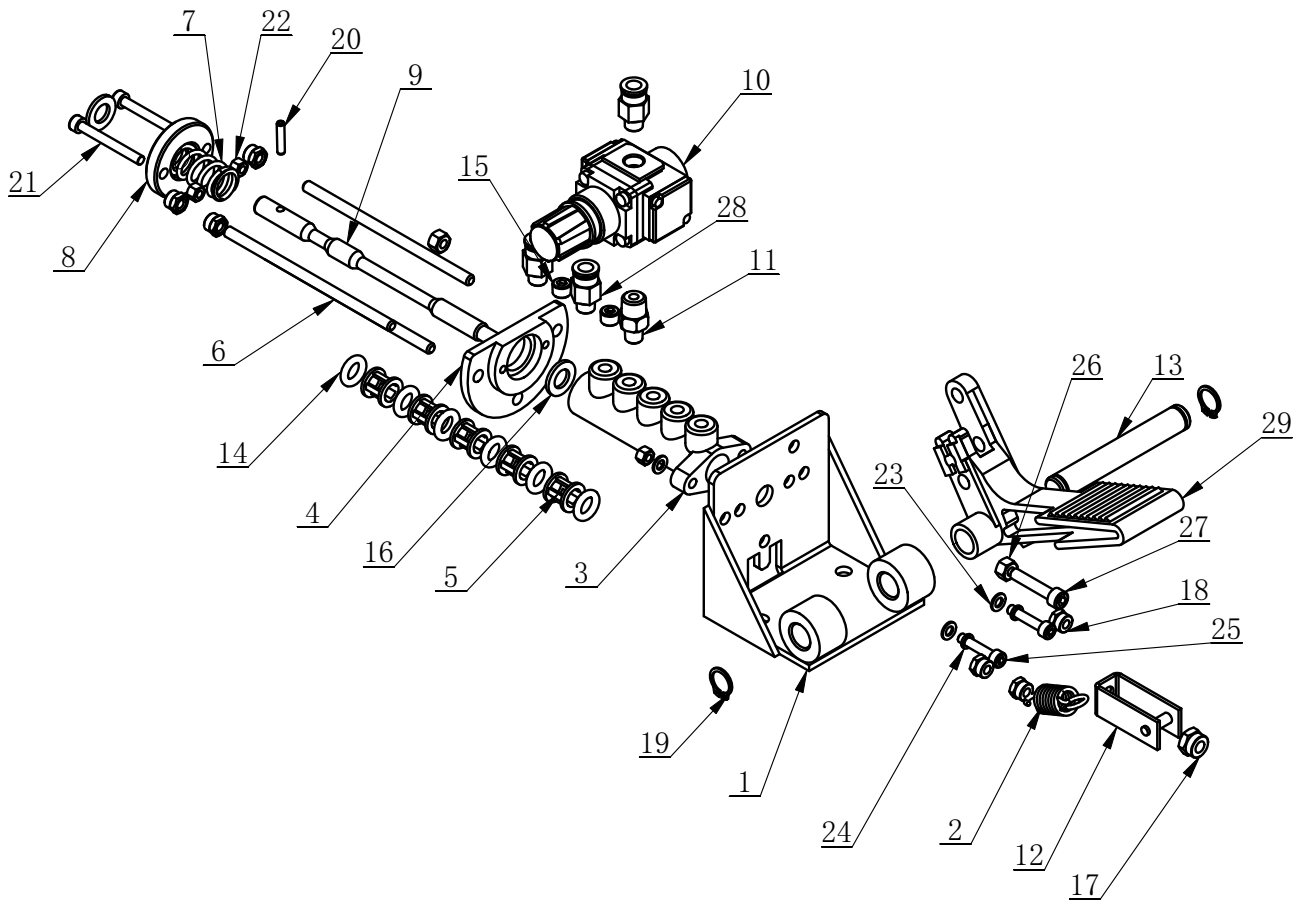
REDUCER CT-J-4100000

REVISION 13-01



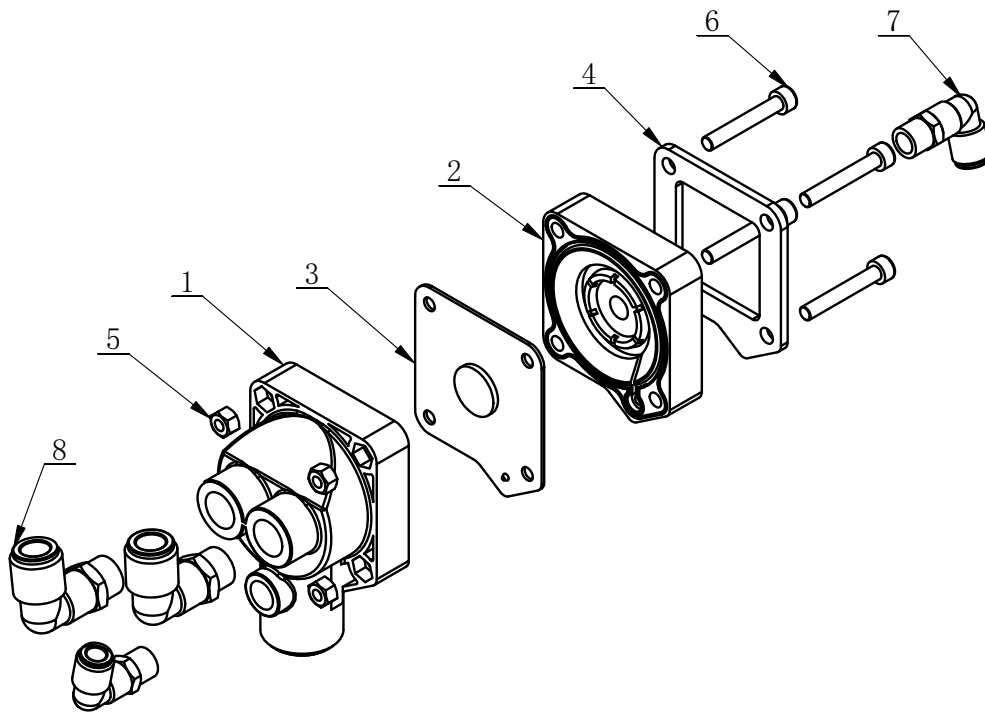
ITEM	PART. NO	DESCRIPTION.	QT. Y
1	CT-J-0000006	GEARBOX TOP	1
2	CT-J-0000004	WORM ROD	1
3	CT-J-0000008	BELT PULLEY	1
4	CT-J-0000005	GEARBOX TOP	1
5	FB25-40 GB13871.92	SEALED RING	1
6	GB96.2-8	LARGE WASHER C GRADE	1
7	CT-J-0000003	WORM	1
8	CT-J-0000002	WORM SHAFT	1
9	CT-J-0100000	CAP	1
10	GB70.1-M8×30	INNER HEXA CYLINDRICAL SCREW	5
11	GB41-M8	HEXANGULAR NUT	5
12	GB276-6010	DEEP GROOVE BALL BEARINGS	1
13	GB276-6208	DEEP GROOVE BALL BEARINGS	1
14	GB297-30205	CYLINDRICAL BALL BEARING	2
15	GB1096-12×8×56	COMMON FLAT KEY	1
16	GB1099.1-6×9×22	COMMON SEMI-CIRCULAR KEY	1
17	GB894.1-50	SHAFT ELATIC BIG RETAINING RING A-TYPE	1
18	GB5781-M8×16	HEXANGULAR BOLT	1
19	GB119.1-8×20	CYLINDRICAL PIN	2
20	TC-10-1400013	BOLT	1

CT-K-1100000 QUICK INFLATION PEDAL ASSY



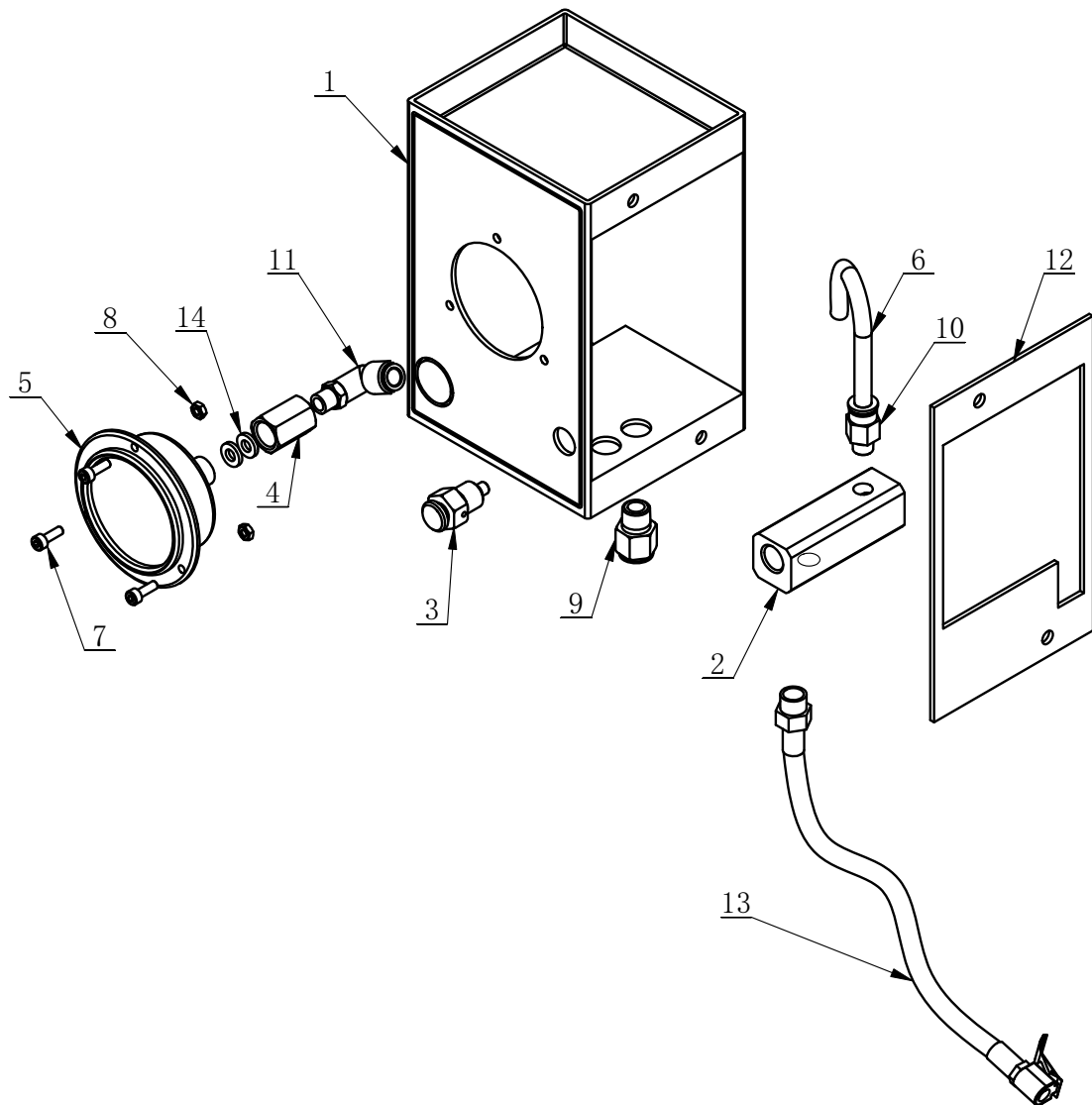
ITEM	PART. No	DESCRIPTION.	QT. Y
1	CT-K-1110000	BRACKET	1
2	CT-D-2100003	SPRING	1
3	CT-D-2140002	VALVE BODY	1
4	CT-K-1100004	FIXTURE PLATE	1
5	CT-D-1110004	SPACER	5
6	CT-K-1100005	BOLT	3
7	CT-K-1100003	SPRING	1
8	CT-K-1100002	MOVABLE PLATE	1
9	CT-K-1100001	VALVE ROD	1
10	AR20-01	PRESSURE REDUCING VALVE	1
11	CT-K-1100007	FITTING	1
12	CT-D-2130000	BRACKET RIVETING	1
13	CT-K-1100006	SHAFT	1
14	CT-D-1110003	O-RING	6
15	AR20-01_AR3015A Plug	SCREWS PLUG R1/8"x10	2
16	GB95-10	FLAT WASHER	2
17	GB889. 1-M8	1-TYPE PREVAILING TORQUE TYPE HEXAGON LOCK NUT	1
18	GB889. 1-M6	1-TYPE PREVAILING TORQUE TYPE HEXAGON LOCK NUT	6
19	GB894. 1-14	SHAFT ELATIC BIG RETAINING RING A-TYPE	2
20	GB879. 1-4×20	ELASTIC CYLINDRICAL PIN, HEAVY	1
21	GB70. 1-M5×45	INNER HEXA CYLINDRICAL SCREW	2
22	GB41-M5	HEXANGULAR NUT	4
23	GB95-5	FLAT WASHER	4
24	GB93-5	STANDARD SPRING WASHER	2
25	GB70. 1-M5×25	INNER HEXA CYLINDRICAL SCREW	2
26	GB41-M6	HEXANGULAR NUT	2
27	GB70. 1-M6×30	INNER HEXA CYLINDRICAL SCREW	1
28	FPC 8-01	MALE STRAIGHT	3
29	CT-D-2100006	PEDAL	1

## QUICK EXHAUST VALVE ASSEMBLY CT-K-2200000



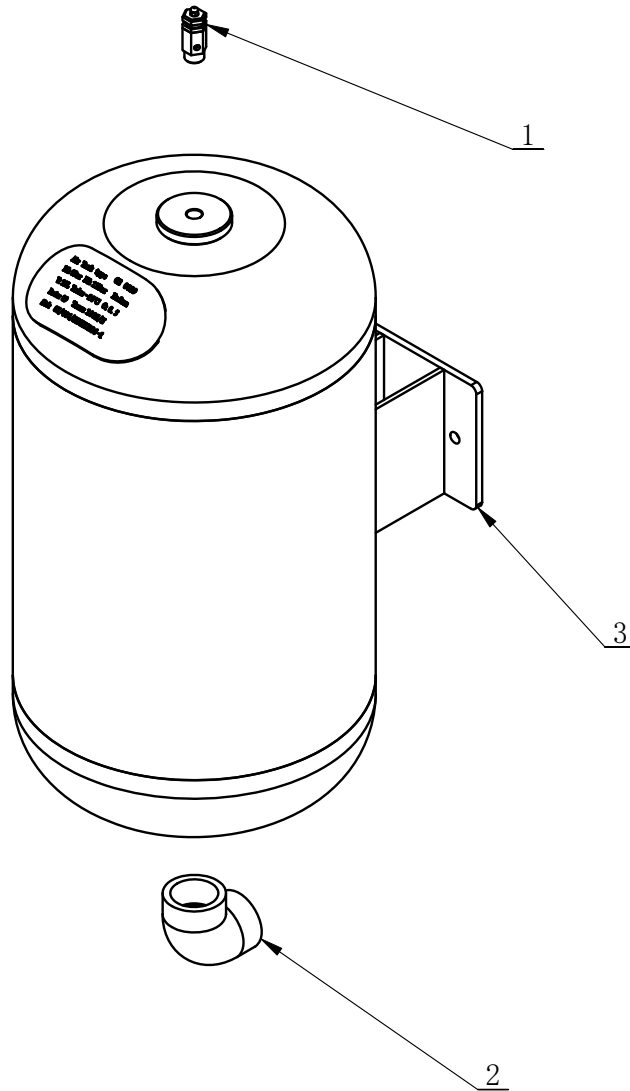
ITEM	PART. No	DESCRIPTION.	QT. Y
1	CT-K-2200002	BOTTOM COVER	1
2	CT-K-2200001	UPPER COVER	1
3	CT-K-2210000	PANEL	1
4	CT-K-2200003	WASHER	1
5	GB41-M6	HEXANGULAR NUT	4
6	GB70. 1-M6×40	INNER HEXA CYLINDRICAL SCREW	4
7	FPL 8-02	INSERT ELBOW Φ8, R1/4	2
8	FPL 12-03	INSERT ELBOW Φ12 R3/8"	2

## INFLATOR COVER ASSEMBLY CT-K-3100000



ITEM	PART. NO	DESCRIPTION.	QT. Y
1	CT-K-3100001	PRESSURE GAUGE COVER	1
2	CT-K-3120000	AIR DISTRIBUTING VALVE	1
3	CT-K-3110000	EXHAUST VALVE ASSEMBLY	1
4	CT-K-3100002	CONNECT NUT	1
5	CT-K-3100004	PRESSURE GAUGE	1
6	PU $\Phi 8 \times 5-160$	PU HOSE $\Phi 8 \times 5$	1
7	GB70. 1-M4 $\times$ 12	INNER HEXA CYLINDRICAL SCREW	3
8	GB6170-M4	HEXANGULAR NUT 1-TYPE	3
9	FPC 8-02	MALE STRAIGHT	1
10	FPC 8-01	MALE STRAIGHT	1
11	FPL 8-01	INSERT ELBOW $\Phi 8, R1/8$	1
12	CT-K-3100005	SIDE PANEL	1
13	CT-K-3100003	INFLATING HOSE	1
14	TC-10-1620003	AIR REGULATOR WASHER	2

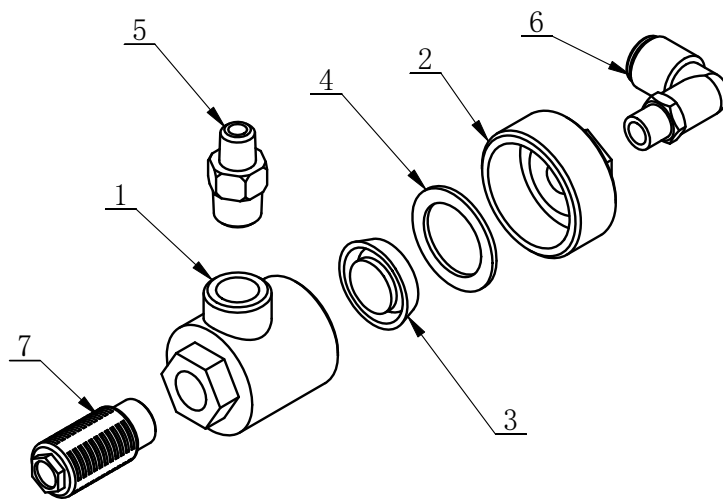
STORAGE TANKS ASSEMBLY CT-K-4200000



ITEM	PART. No	DESCRIPTION.	QT. Y
1	CT-K-4100001	SAFE VALVE	1
2	CT-K-4100002	ELBOW_90,G1"	1
3	CT-K-4210000	AIR TANK	1



## QUICK DEFLATE VALVE ON BODY CT-LS-1320000

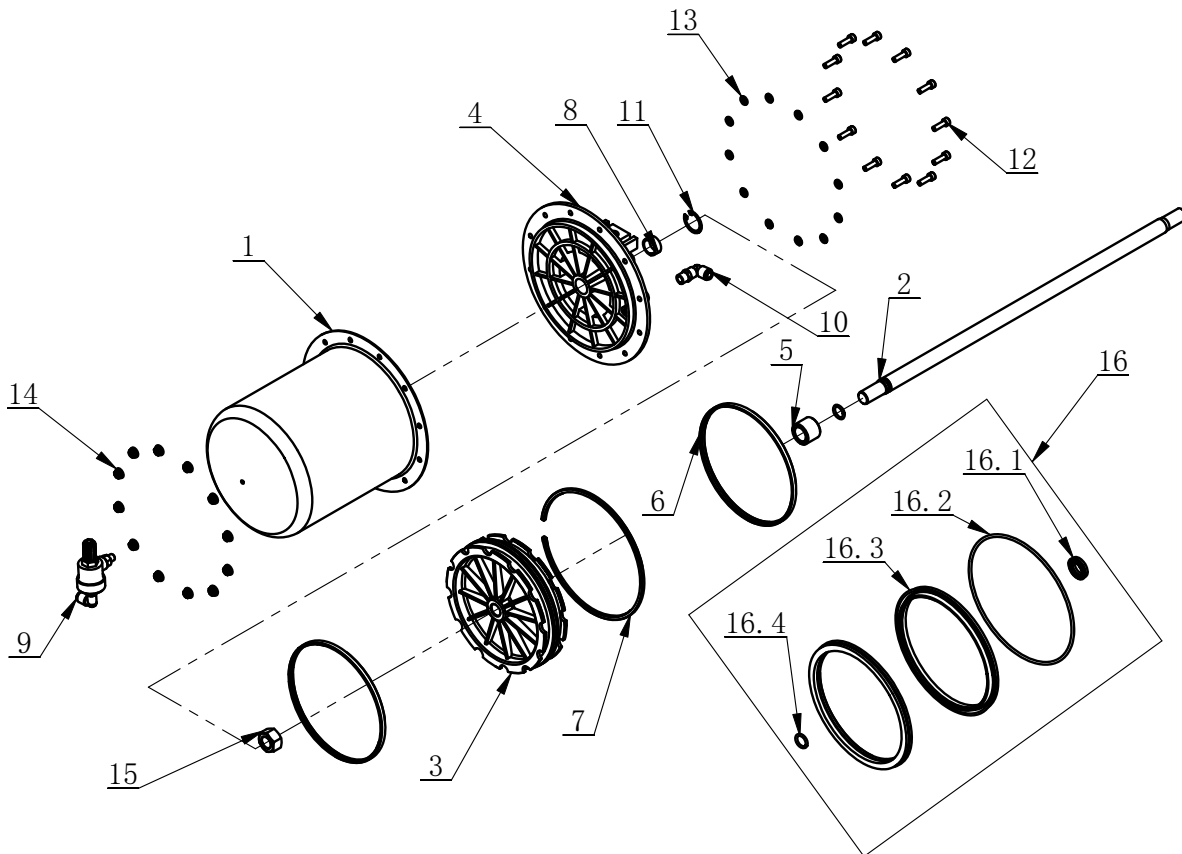


ITEM	PART. No	DESCRIPTION.	QT. Y
1	CT-LS-1310001	LOWER COVER OF QUICK DEFLATE VALVE	1
2	CT-LS-1310002	COVER OF QUICK DEFLATE VALVE	1
3	CT-LS-1310003	PISTON	1
4	CT-LS-1310004	RUBBER WASHER	1
5	CT-K-1100007	FITTING	1
6	FPL 8-01	INSERT ELBOW $\Phi 8$ , R1/8	1
7	FSK 02	PLASTIC PARTICLE SILENCER	1

C-90-0000000

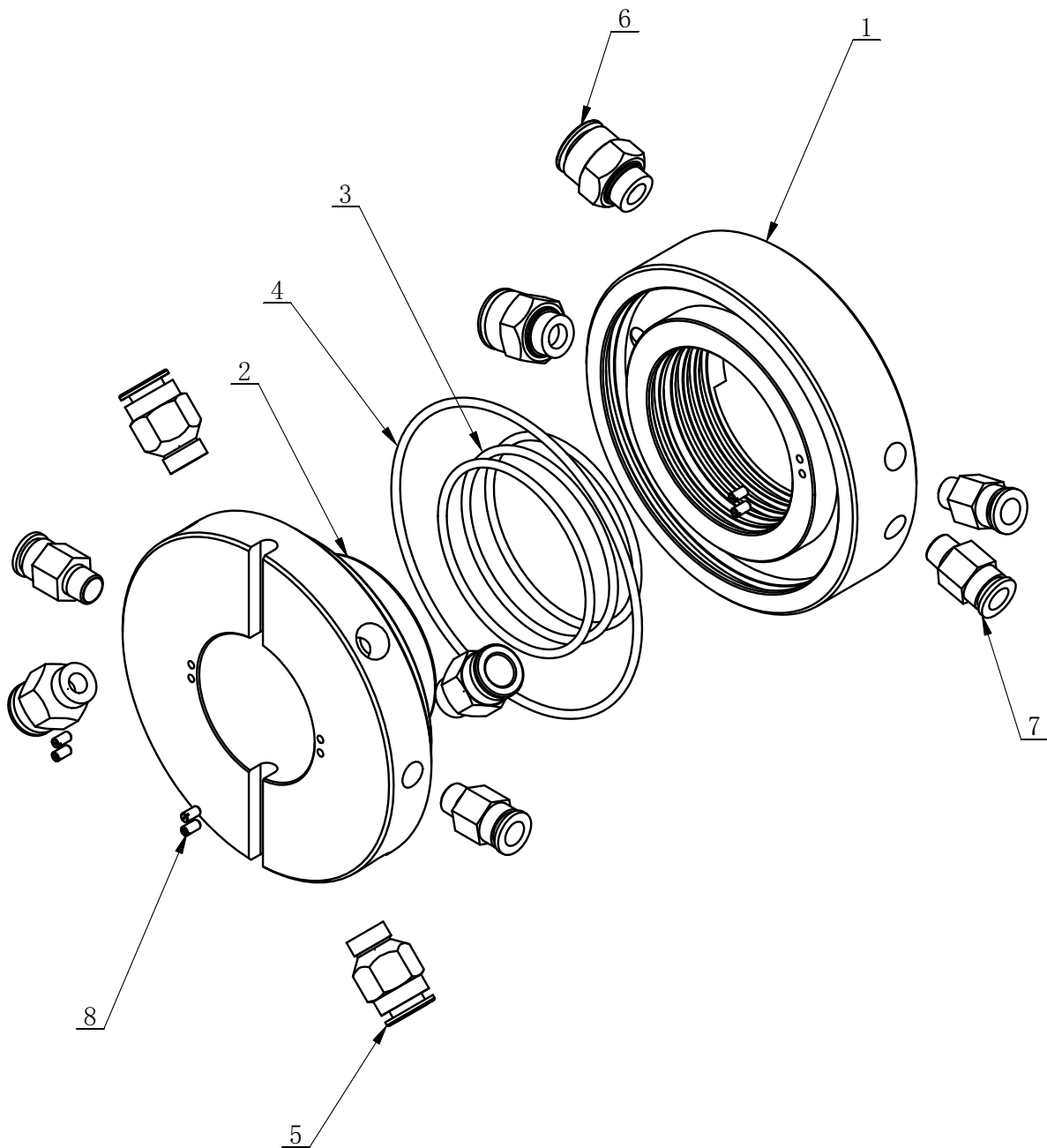
REVISION 13-01

## BEAD BREAKER CYLINDER ASSEMBLY CT-LS-3100000



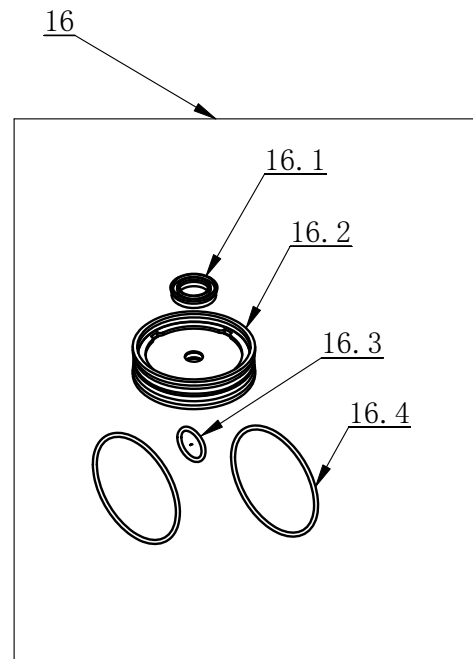
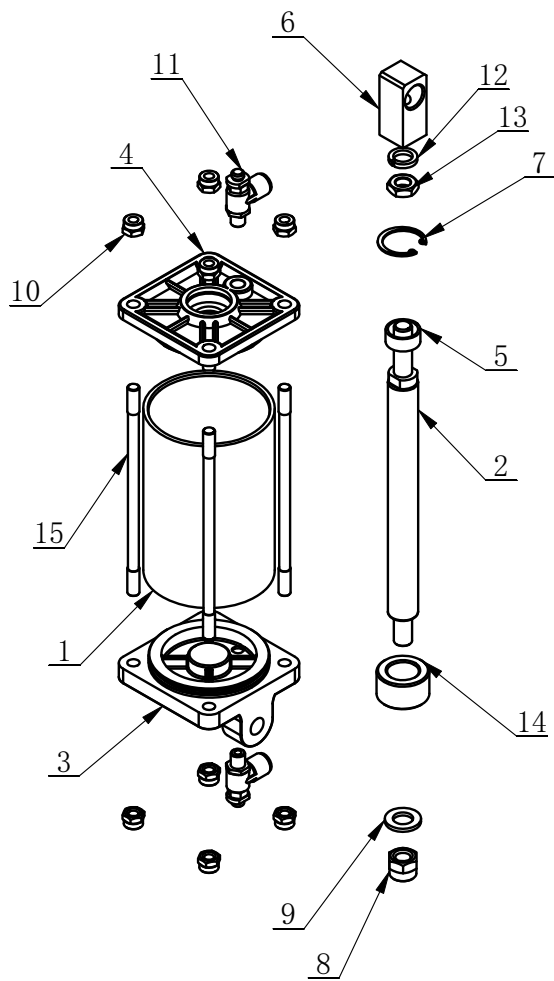
ITEM	PART. No	DESCRIPTION.	QT. Y
1	CT-LS-1100002	CYLINDER BODY	1
2	CT-LS-3100001	CYLINDER PISTON ROD	1
3	CT-LS-1100003	PISTON	1
4	CT-LS-1100004	CYLINDER COVER	1
5	CT-LS-1100005	SPACER	1
6	CT-LS-1100006	CLAMP RING	2
7	CT-LS-1100007	PISTON SUPPORT RING	1
8	CT-LS-1100008	GUIDER SPACER	1
9	CT-LS-1320000	QUICK DEFLATE VALVE ON BODY	1
10	FPL 8-02	INSERT ELBOW $\Phi 8$ , R1/4	1
11	GB893. 2-30	ELASTIC RETAINING RING B-TYPE	1
12	GB70. 1-M6 $\times$ 20	INNER HEXA CYLINDRICAL SCREW	12
13	GB95-6	FLAT WASHER	12
14	GB6177. 1-M6	HEXA FLANGE NUT	12
15	GB6171- M18 $\times$ 1. 5	NUT THIN TOOTH	1
16	CT-LS-1110000	CYCLINDER SEALING PARTS ASSEMBLY	1
16. 1	CT-Y-0160007	SEAL-ROD, CYLNDR	1
16. 2	GB3452. 1-185 $\times$ 3. 55-G	O-RING G TYPE	1
16. 3	CT-LS-1100009	Y-RING	2
16. 4	GB3452. 1-15. 5 $\times$ 2. 65-G	HYDRAULIC-PNEUMATIC RUBBER O-RING G TYPE	1

## CT-Q-3000000 GUIDE GAS



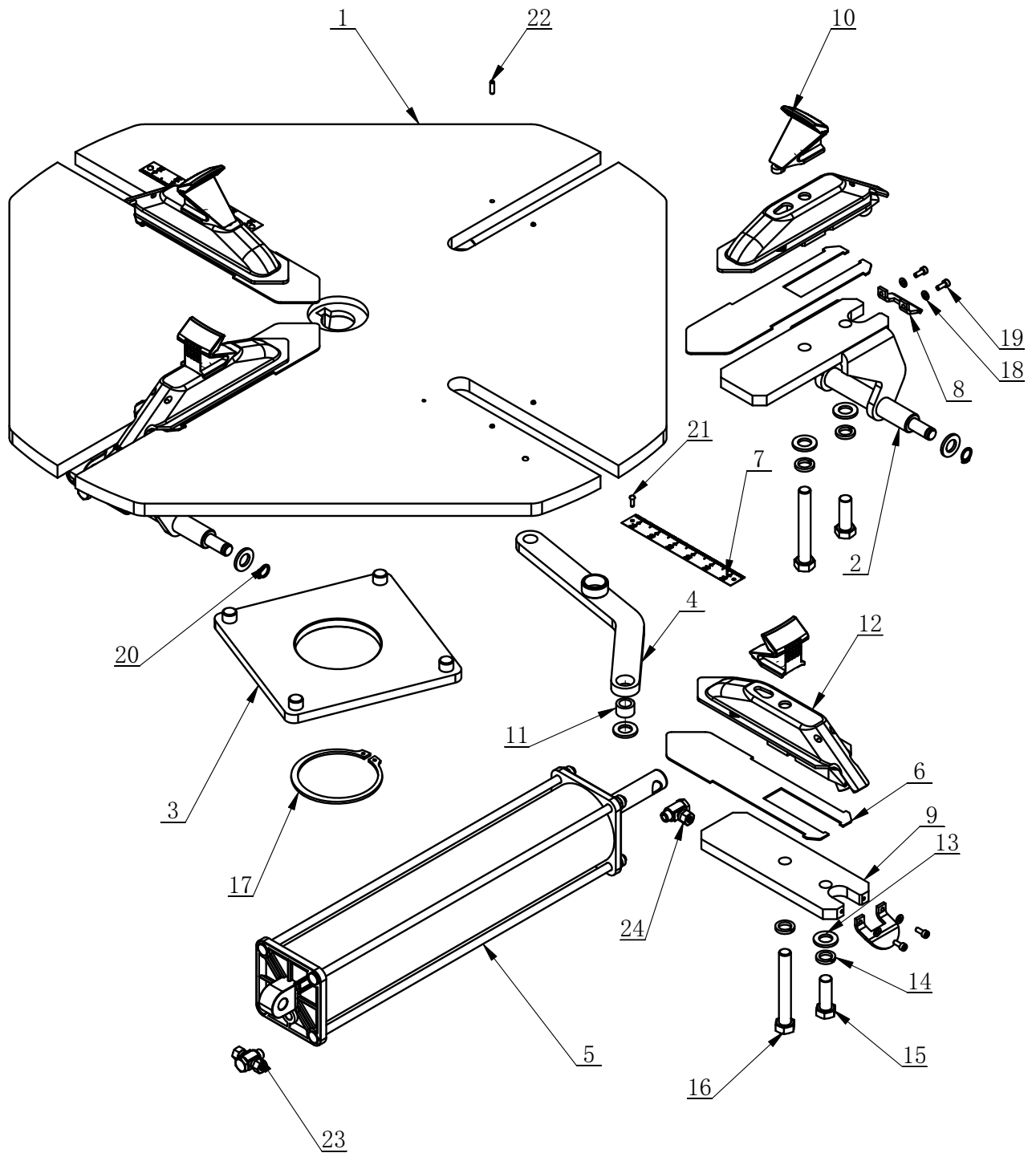
ITEM	PART. NO	DESCRIPTION.	QT. Y
1	CT-Q-3000002	AIR GUIDE EXTERNAL BUSHING	1
2	CT-Q-3000001	AIR GUIDE ROTATION BUSHING	1
3	GB3452. 1-60×2. 65-G	HYDRAULIC-PNEUMATIC RUBBER O-RING G TYPE	3
4	GB3452. 1-100×2. 65-G	HYDRAULIC-PNEUMATIC RUBBER O-RING G TYPE	1
5	FPC 10-02	MALE STRAIGHT	4
6	FPC 12-02	MALE STRAIGHT	2
7	FPC 8-01	MALE STRAIGHT	4
8	GB73-M3×6	SLOTTED FLATTEN HEAD SET SCREW	6

PULL-OUT CYLINDER D80X80 CT-XD-2000000



ITEM	PART. No	DESCRIPTION.	QT. Y
1	CT-XD-1000001	CYLINDER BODY	1
2	CT-XD-2000002	PISTON ROD	1
3	CT-XD-1000005	CYLINDER REAR COVER	1
4	CT-Y-6600001	CYLINDER FRONT COVER	1
5	JH1 2010	BEARING-SLIDE	1
6	CT-XD-1000004	SHAFT CONNECTOR	1
7	GB893. 1-30	ELASTIC RETAINING RING A-TYPE	1
8	GB889. 1-M12	1-TYPE PREVAILING TORQUE TYPE HEXAGON LOCK NUT	1
9	GB95-12	FLAT WASHER	1
10	GB889. 1-M8	1-TYPE PREVAILING TORQUE TYPE HEXAGON LOCK NUT	8
11	FJSC 8-01	ELBOW SPEED CONTROLLER	2
12	GB93-12	STANDARD SPRING WASHER	1
13	GB/T6172. 1-M12	HEXANGULAR THIN NUT	1
14	CT-XD-2000001	SPACER	1
15	CT-XD-1000003	BARS	4
16	CT-Y-6610000M	SEAL COMPONENTS	1
16. 1	CT-Y-0160007	SEAL-ROD, CYLNDR	1
16. 2	CT-Y-6610000	PISTON	1
16. 3	GB3452. 1-20×2. 65-G	HYDRAULIC-PNEUMATIC RUBBER O-RING G TYPE	1
16. 4	GB3452. 1-75×2. 65-G	HYDRAULIC-PNEUMATIC RUBBER O-RING G TYPE	2

CT-Y-7100000 TURNTABLE ASSEMBLY

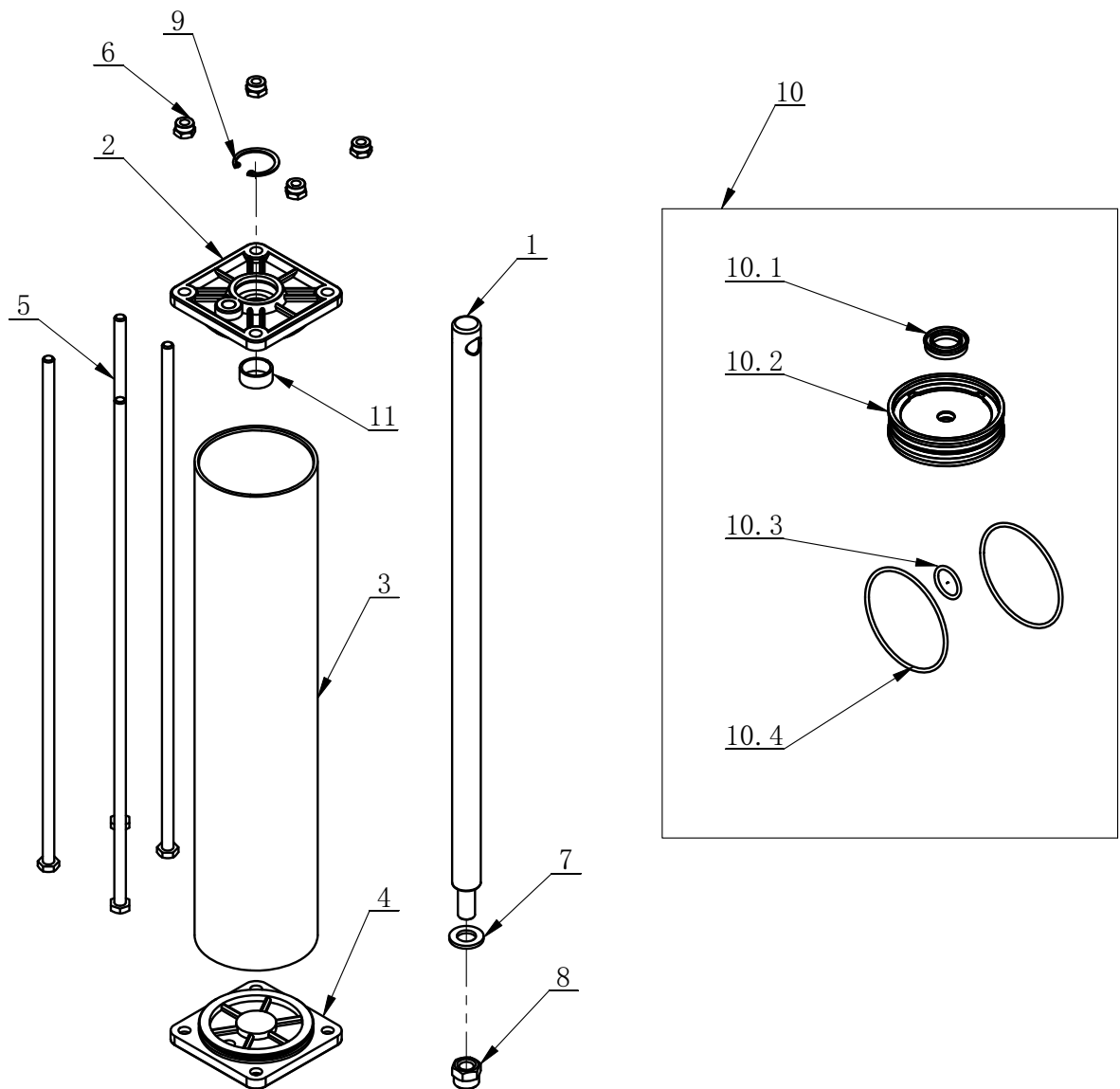


ITEM	PART. No	DESCRIPTION.	QT. Y
1	CT-Y-7110000	TURNTABLE	1
2	CT-Y-6120000	CYLINDER BRACKET	2
3	CT-Y-5030000	SQUARE TURNTABLE	1
4	CT-Y-7120000	PULLING PLATE	4
5	CT-Y-7130000	CYLINDER ASSEMBLY	2
6	CT-Y-6100004	WEARABLE WASHER	4
7	CT-Y-7100001	SCALE	2
8	CT-Y-6100002	PROTECTION COVER	4
9	CT-Y-6100003	PRESS PLATE	2
10	CT-Y-0100002	CLAMP	4
11	CT-Y-0100003	SPACER	4
12	CT-Y-0320000	SLIDE COVER	4
13	GB95-12	FLAT WASHER	12
14	GB93-12	STANDARD SPRING WASHER	8
15	GB5783-M12×35	HEXANGULAR BOLT	4
16	GB5782-M12×85	HEXANGULAR BOLT	4
17	GB894. 2-85	SHAFT ELATIC RETAINING RING B-TYPE	1
18	GB95-4	FLAT WASHER	8
19	GB70. 1-M4×10	INNER HEXA CYLINDRICAL SCREW	8
20	GB894. 1-12	SHAFT ELATIC BIG RETAINING RING A-TYPE	4
21	GB827-3×10	LABEL RIVET	4
22	GB879. 1-4×14	ELASTIC CYLINDRICAL PIN HEAVY	8
23	CT-Y-0100008	HINGE ELBOW Φ8	2
24	CT-Y-0100006	HINGE ELBOW Φ8 R1/8"	2

C-90-0000000

## CT-Y-7130000 CYLINDER ASSEMBLY

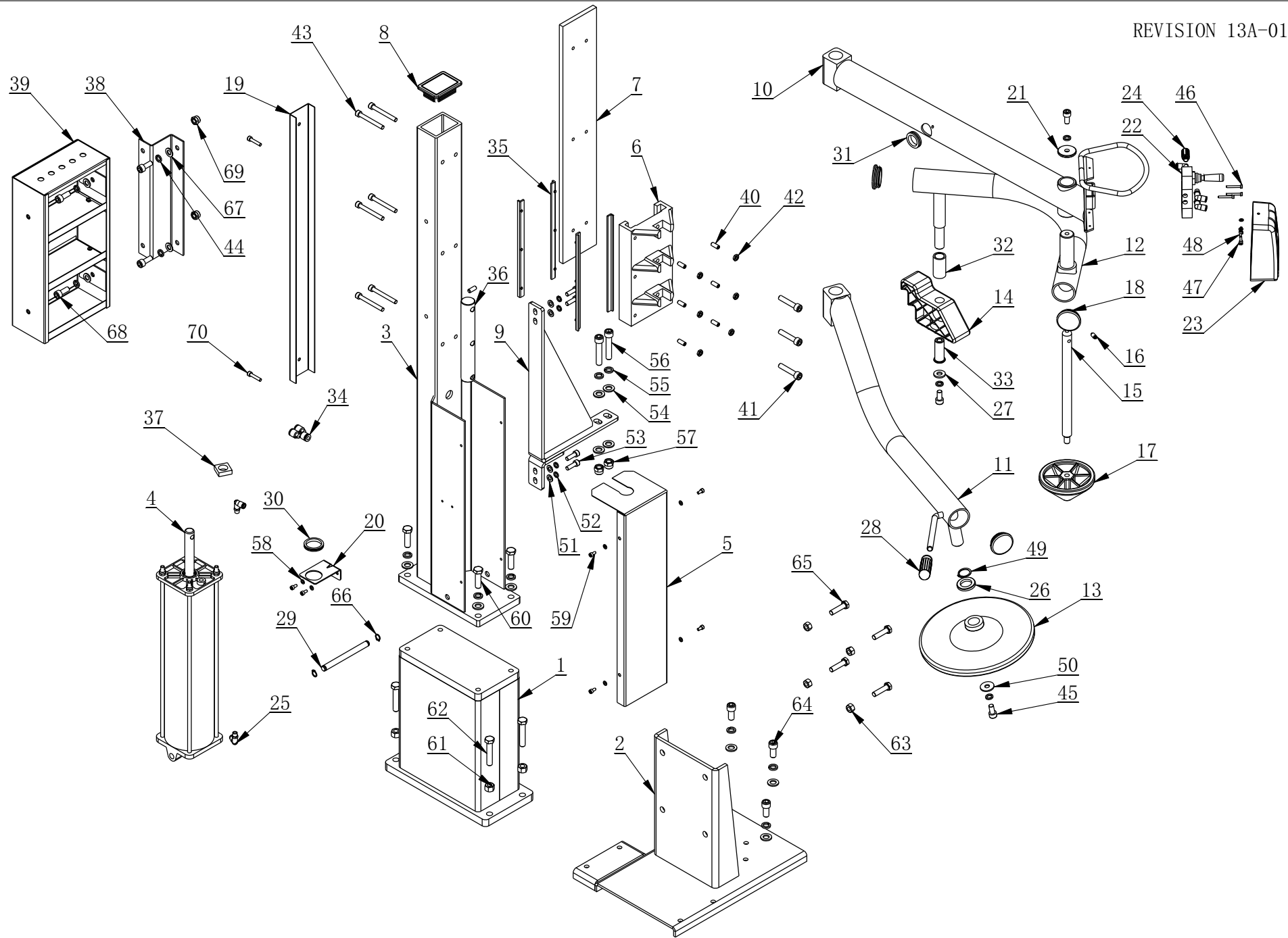
REVISION 13-01



ITEM	PART. NO	DESCRIPTION.	QT. Y
1	CT-Y-7300001	SHAFT-CYLNDR	1
2	CT-Y-6600001	CYLINDER FRONT COVER	1
3	CT-Y-5010001	CYLINDER 80MM	1
4	CT-Y-4120005	CAP-BASE, CYLNDR	1
5	CT-Y-5010003	BOLT	4
6	GB889. 1-M8	1-TYPE PREVAILING TORQUE TYPE HEXAGON LOCK NUT	4
7	GB95-12	FLAT WASHER	1
8	GB889. 1-M12	1- TYPE PREVAILING TORQUE TYPE HEXAGON LOCK NUT	1
9	GB893. 1-30	ELASTIC RETAINING RING A-TYPE	1
10	CT-Y-7130000M	SEAL COMPONENTS	1
10.1	CT-Y-0160007	SEAL-ROD, CYLNDR	1
10.2	CT-Y-6610000	PISTON	1
10.3	GB3452. 1-20×2. 65-G	HYDRAULIC-PNEUMATIC RUBBER O-RING G TYPE	1
10.4	GB3452. 1-75×2. 65-G	HYDRAULIC-PNEUMATIC RUBBER O-RING G TYPE	2
11	JH1 2010	BEARING-SLIDE	1



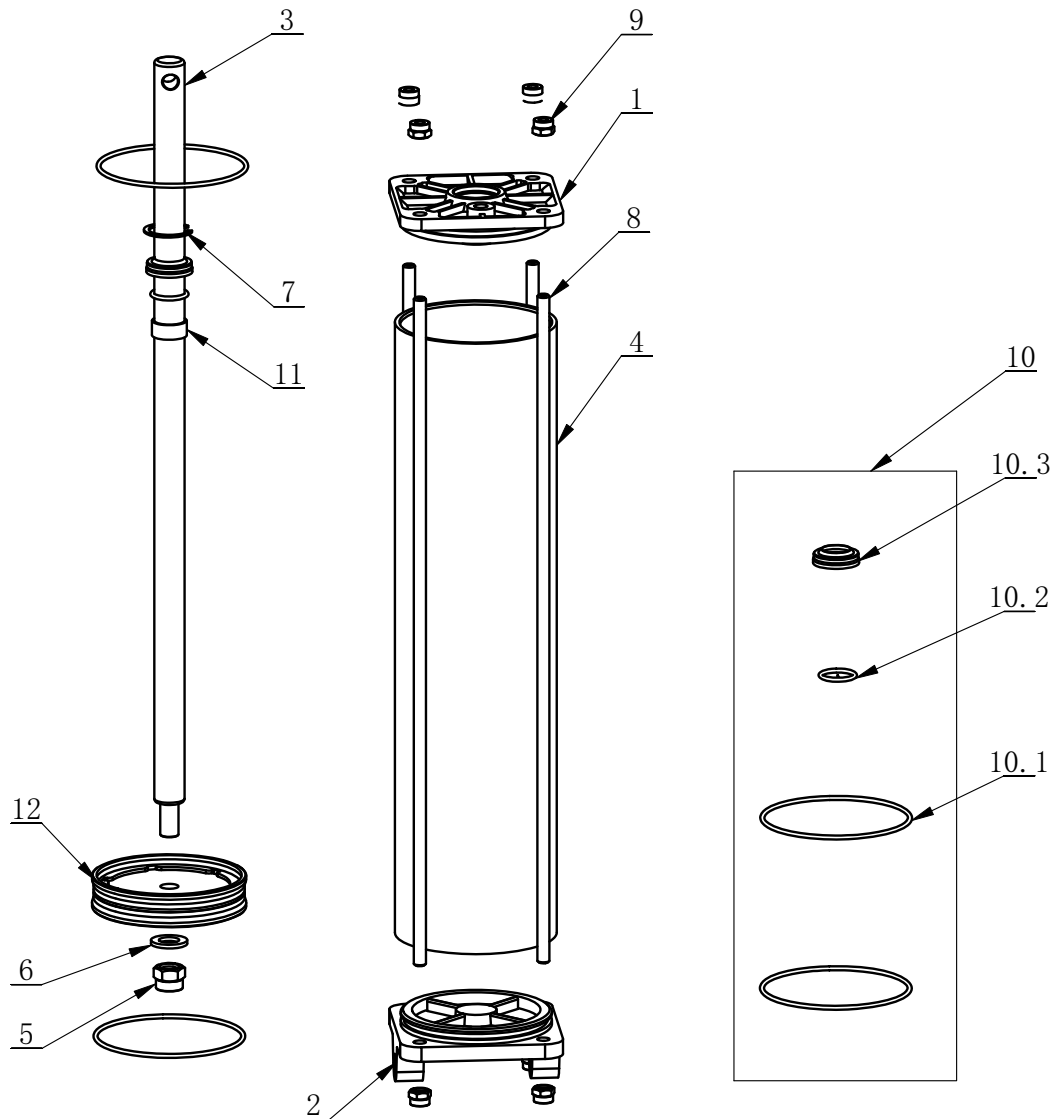
REVISION 13A-01



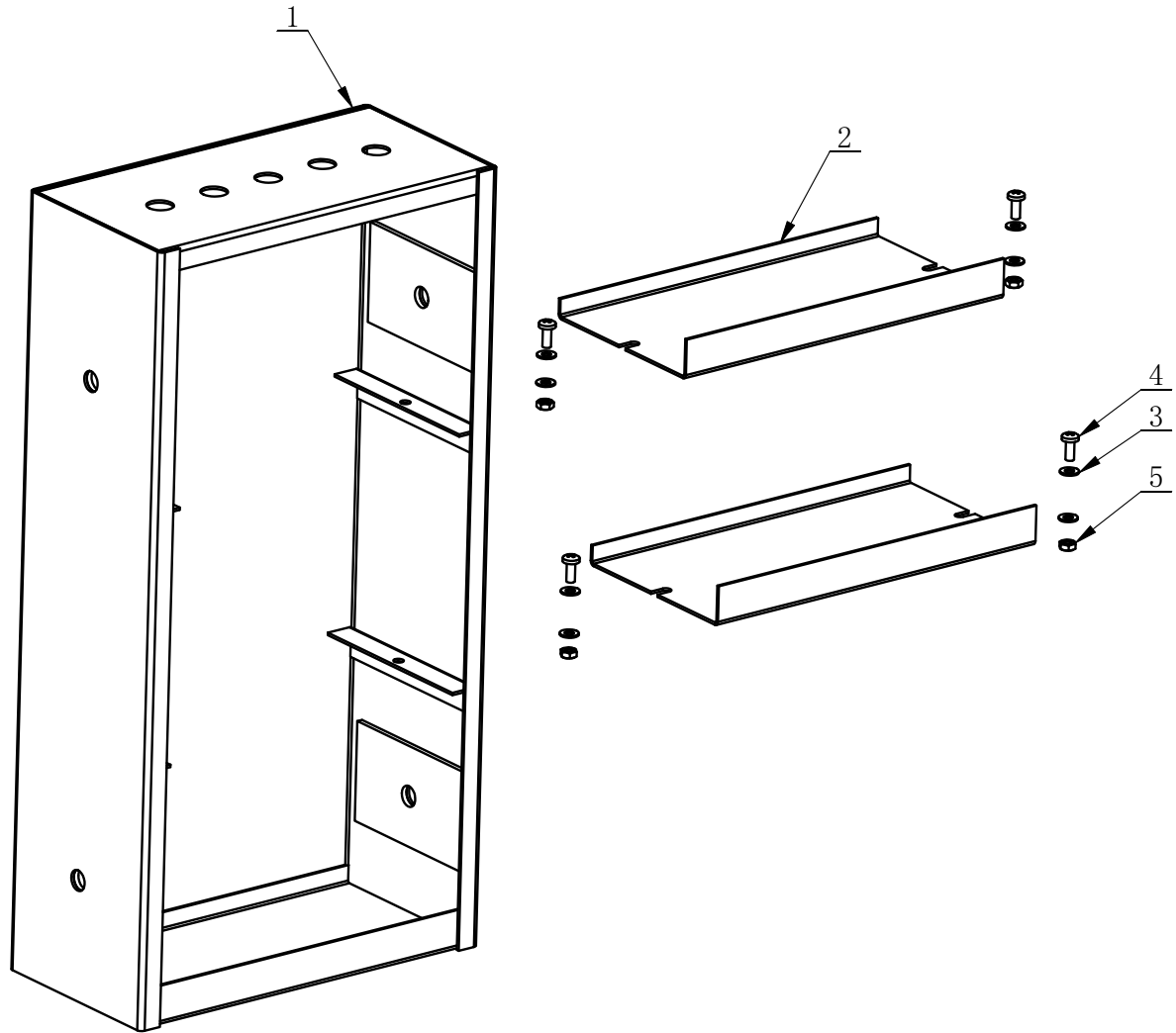
H-10-1000000

ITEM	PART. No	DESCRIPTION.	QT. Y
1	H-10-1800000	FIXTURE BRACKET	1
2	H-10-1700000	BASE SUPPORT	1
3	H-10-1400000	MAIN BODY BRACKET	1
4	H-10-1500000	LIFTING CYLINDER ASSEMBLY	1
5	H-10-1000012	CYLINDER COVER PLATE	1
6	H-10-1000001	MOBILE TYPE ASSEMBLY	1
7	H-10-1000004	GUIDE RAIL	1
8	H-10-1000003	PROTECTIVE COVER	1
9	H-10-1600000	BRACKET	1
10	H-10-1100000	SUPPORTING ARM 895.890	1
11	H-10-1300000	BEAD BREAKER ARM	1
12	H-10-1200000	ROTATING ARM	1
13	H-10-1000011	TURNTABLE	1
14	H-10-1000006	PRESS BLOCK	1
15	H-10-1000009	CONNECTION ROD	1
16	H-10-1000021	LOCK SCREW	1
17	H-10-1000010	PRESS CONE	1
18	H-10-1000008	ROUND COVER	3
19	H-10-1000013	U-STEEL	1
20	H-10-1000014	BRACKET	1
21	H-10-1000005	WASHER	1
22	4H230-06A	CONTROL VALVE	1
23	H-10-1000020	HANDLE VALVE COVER	1
24	FSK 01	PLASTIC PARTICLE SILENCER	2
25	FPL 6-01	MALE ELBOW	5
26	H-10-1000017	WASHER	1
27	H-10-1000007	WASHER	1
28	C-54-1300011	RUBBER COVER	1
29	H-10-1000018	SUPPORTING SHAFT	1
30	H-12-1000003	SILENCER RING	1
31	H-12-0000002	PROTECTION RING	1
32	H-10-1200005	TIRE PRESSER PROLONG BUSHING	1
33	H-10-1200004	LENGTHENING SHAFT	1
34	FPY-8	UNION Y	1
35	H-10-1000016	GUIDE RAIL	4
36	H-10-1000002	SHAFT CONNECTOR	1
37	H-12-1000001	FELT WASHER	1
38	H-10-1000015	FIXTURE PLATE	1
39	H-10-1900000	TOOL BOX ASSY	1
40	GB77-M8×20	INNER HEXA FLAT TERMINUS SET SCREW	9

ITEM	PART. No	DESCRIPTION.	QT. Y
41	GB70. 1-M10×50	INNER HEXA CYLINDRICAL SCREW	3
42	GB6172. 1-M8	HEXANGULAR THIN NUT	9
43	GB70. 1-M8×70	INNER HEXA CYLINDRICAL SCREW	6
44	GB93-10	STANDARD SPRING WASHER	7
45	GB70. 1-M10×20	INNER HEXA CYLINDRICAL SCREW	3
46	GB70. 1-M4×30	INNER HEXA CYLINDRICAL SCREW	3
47	GB95-4	FLAT WASHER	3
48	GB70. 1-M4×12	INNER HEXA CYLINDRICAL SCREW	3
49	GB894. 2-25	SHAFT ELATIC RETAINING RING B-TYPE	1
50	GB96. 1-10	LARGE WASHER A GRADE	1
51	GB95-8	FLAT WASHER	4
52	GB93-8	STANDARD SPRING WASHER	4
53	GB70. 1-M8×25	INNER HEXA CYLINDRICAL SCREW	4
54	GB95-12	FLAT WASHER	11
55	GB93-12	STANDARD SPRING WASHER	9
56	GB70. 1-M12×60	INNER HEXA CYLINDRICAL SCREW	2
57	GB889. 1-M12	1- TYPE PREVAILING TORQUE TYPE HEXAGON LOCK NUT	2
58	GB95-5	FLAT WASHER	6
59	GB70. 1-M5×10	INNER HEXA CYLINDRICAL SCREW	6
60	GB5781-M12×40	HEXANGULAR BOLT	4
61	GB41-M12	HEXANGULAR NUT	4
62	GB5780-M12×60	HEXANGULAR BOLT	4
63	GB41-M10	HEXANGULAR NUT	4
64	GB70. 1-M12×25	INNER HEXA CYLINDRICAL SCREW	3
65	GB5781-M10×40	HEXANGULAR BOLT	4
66	GB894. 1-12	SHAFT ELATIC BIG RETAINING RING A-TYPE	2
67	GB95-10	FLAT WASHER	4
68	GB70. 1-M10×25	INNER HEXA CYLINDRICAL SCREW	4
69	GB889. 1-M10	1-TYPE PREVAILING TORQUE TYPE HEXAGON LOCK NUT	2
70	GB70. 1-M6×30	INNER HEXA CYLINDRICAL SCREW	2

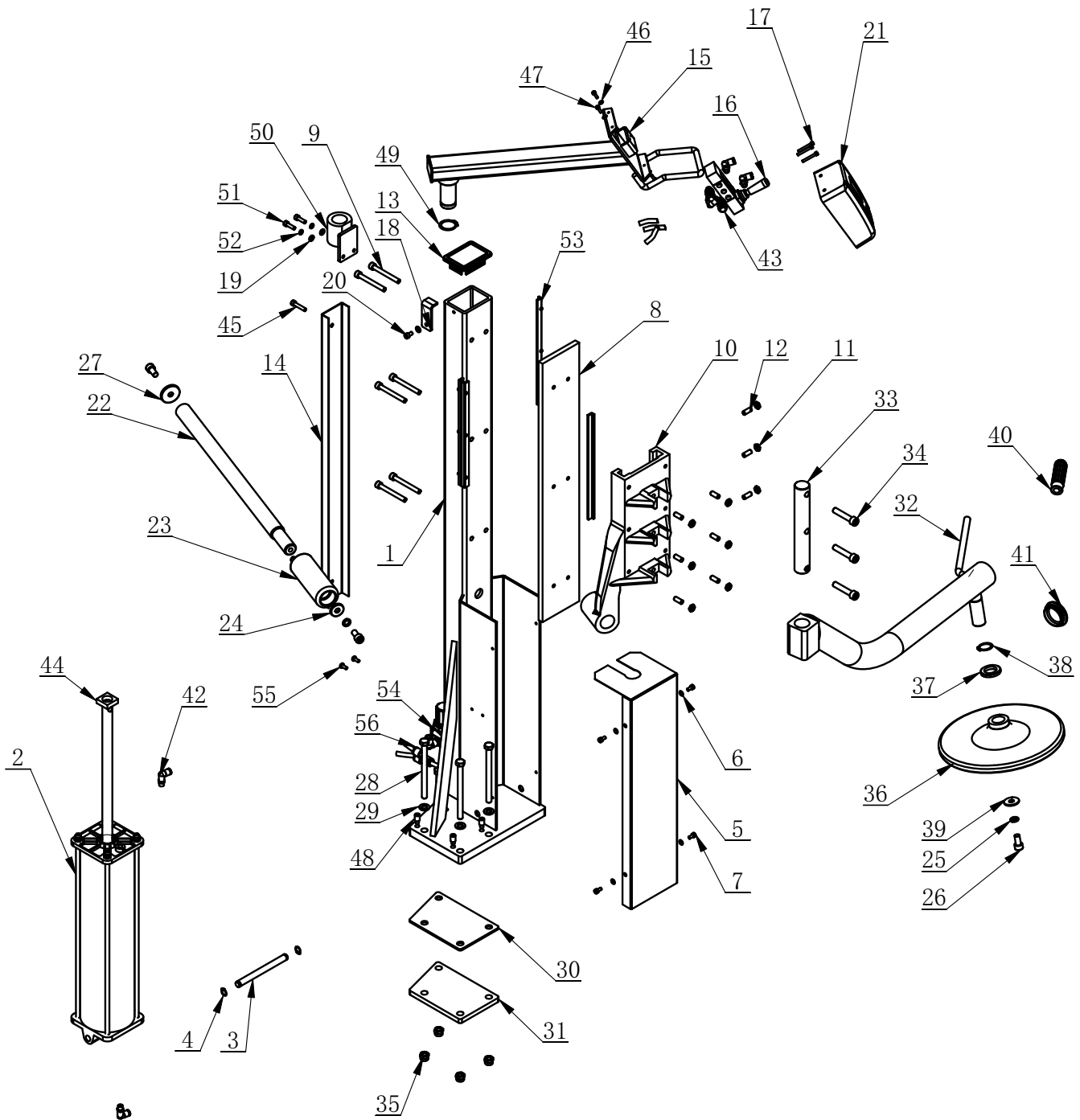


ITEM	PART. No	DESCRIPTION.	QT. Y
1	H-10-1500002	CYLINDER FRONT COVER	1
2	H-10-1500005	CYLINDER BEAR COVER	1
3	H-10-1500004	PISTON ROD	1
4	H-10-1500003	CYLINDER	1
5	GB889. 1-M12	1- TYPE PREVAILING TORQUE TYPE HEXAGON LOCK NUT	1
6	GB95-12	FLAT WASHER	1
7	GB893. 1-30	ELASTIC RETAINING RING A-TYPE	1
8	H-10-1500006	BOLT	4
9	GB889. 1-M8	1-TYPE PREVAILING TORQUE TYPE HEXAGON LOCK NUT	8
10	H-10-1510000	CYLINDER SEALING PARTS ASSEMBLY	1
10.1	GB3452. 1-95×2. 65-G	HYDRAULIC-PNEUMATIC RUBBER O-RING G TYPE	2
10.2	GB3452. 1-20×2. 65	HYDRAULIC-PNEUMATIC RUBBER O-RING G TYPE	1
10.3	BYXQ30x20x7	SEAL-ROD, CYLINDER	1
11	JH1 2010	BEARING-SLIDE	1
12	H-10-1500001		1



ITEM	PART. No	DESCRIPTION.	QT. Y
1	H-10-1910000	TOOL BOX ASSY WELDING	1
2	H-10-1900002	SPACE	2
3	GB95-4	FLAT WASHER	8
4	GB818-M4×10-H	CROSS PANHEAD SCREW	4
5	GB6170-M4	HEXANGULAR NUT 1-TYPE	4

LEFT HELPER ASSEMBLY H-30-1000000

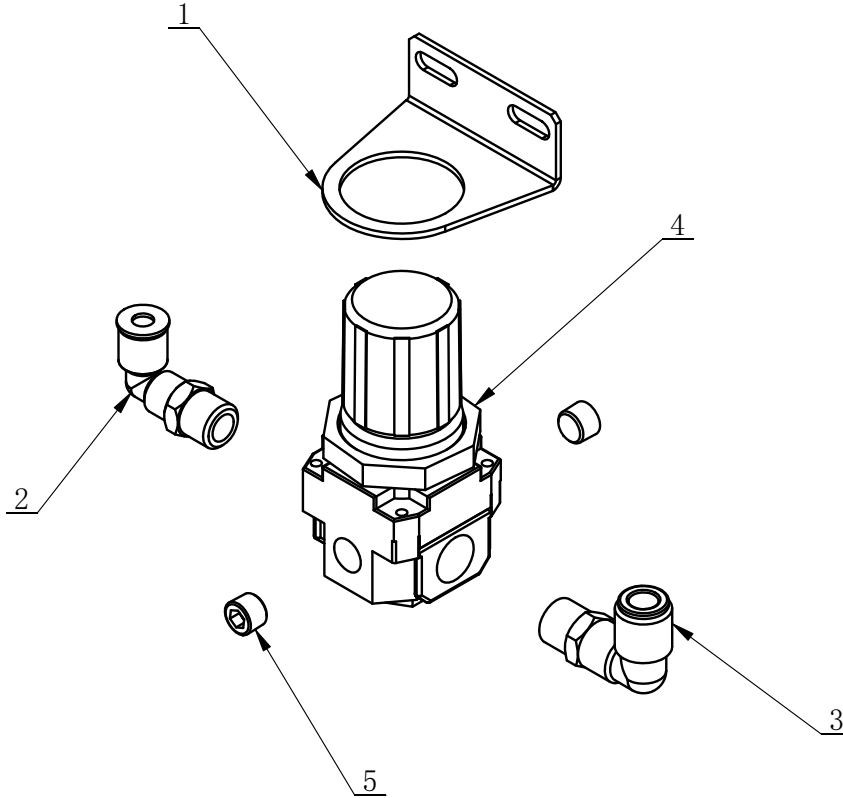


ITEM	PART. No	DESCRIPTION.	QT. Y
1	H-30-1300000	MAIN BODY BRACKET	1
2	H-10-1500000	LIFTING CYLINDER ASSEMBLY	1
3	H-10-1000018	SUPPORTING SHAFT	1
4	GB894. 1-12	SHAFT ELATIC BIG RETAINING RING A-TYPE	2
5	H-10-1000012	CYLINDER COVER PLATE	1
6	GB95-5	FLAT WASHER	4
7	GB70. 1-M5×10	INNER HEXA CYLINDRICAL SCREW	4
8	H-10-1000004	GUIDE RAIL	1
9	GB70. 1-M8×70	INNER HEXA CYLINDRICAL SCREW	6
10	H-30-1000001	MOBILE BASE	1
11	GB6172. 1-M8	HEXANGULAR THIN NUT	9
12	GB77-M8×20	INNER HEXA FLAT TERMINUS SET SCREW	9
13	H-10-1000003	PROTECTIVE COVER	1
14	H-10-1000013	U-STEEL	1
15	H-30-1100000	BRACKET	1
16	4H230-06A	CONTROL VALVE	1
17	GB70. 1-M4×30	INNER HEXA CYLINDRICAL SCREW	3
18	H-30-1000002	BLOCK PLATE	1
19	GB95-6	FLAT WASHER	3
20	GB70. 1-M6×10	INNER HEXA CYLINDRICAL SCREW	1
21	H-10-1000020	HANDLE VALVE COVER	1
22	H-30-1000005	MOVABLE SHAFT	1
23	H-30-1000003	TIRE PRESSING ROLLER	1
24	H-30-1000004	CONE ROLLER WASHER	1
25	GB93-10	STANDARD SPRING WASHER	2
26	GB70. 1-M10×20	INNER HEXA CYLINDRICAL SCREW	3
27	H-30-1000006	WASHER	1
28	GB5782-M10×130	HEXANGULAR BOLT	4
29	GB95-10	FLAT WASHER	4
30	H-30-1000008	PAD PLATE	1
31	H-30-1000007	BOTTOM FLAT PLATE	1
32	H-30-1200000	BEAD LIFTING ARM	1
33	H-10-1000002	SHAFT CONNECTOR	1
34	GB70. 1-M10×50	INNER HEXA CYLINDRICAL SCREW	3
35	GB889. 1-M10	1-TYPE PREVAILING TORQUE TYPE HEXAGON LOCK NUT	4
36	H-10-1000011	TURNTABLE	1
37	H-10-1000017	WASHER	1
38	GB894. 1-25	SHAFT ELATIC BIG RETAINING RING A-TYPE	1
39	GB96. 1-10	LARGE WASHER A GRADE	1
40	C-54-1300011	RUBBER COVER	1

ITEM	PART. No	DESCRIPTION.	QT. Y
41	H-10-1000008	ROUND COVER	1
42	FPL 6-01	MALE ELBOW	5
43	FSK 01	PLASTIC PARTICLE SILENCER	2
44	H-12-1000001	FELT WASHER	1
45	GB70. 1-M6×30	INNER HEXA CYLINDRICAL SCREW	2
46	GB95-4	FLAT WASHER	3
47	GB5781- M4×12	INNER HEXA CYLINDRICAL SCREW	3
48	GB79-M10×20	INNER HEXA CYLINDRICAL TERMINUS SET SCREW	4
49	GB894. 1-30	SHAFT ELATIC BIG RETAINING RING A-TYPE	1
50	H-30-1310000	FIX COVER WELDING	1
51	GB70. 1-M6×20	INNER HEXA CYLINDRICAL SCREW	2
52	GB93-6	STANDARD SPRING WASHER	2
53	H-10-1000016	GUIDE BAR	4
54	H-40-1600000	PRESSURE REDUCING VALVE COMPONENTS	1
55	GB818-M5×12-H	CROSS PANHEAD SCREW	2
56	FPY-8	UNION Y	1



PRESSURE REDUCING VALVE COMPONENTS H-40-1600000



ITEM	PART. No	DESCRIPTION.	QT. Y
1	H-40-1600002	VALVE HOLDER	1
2	FPL 6-02	MALE ELBOW	1
3	FPL 8-02	INSERT ELBOW $\Phi 8$ , R1/4	1
4	H-40-1600001	PRESSURE ADJUST VALVE	1
5	FPS 01	PLUG MAIN BLOCK	2